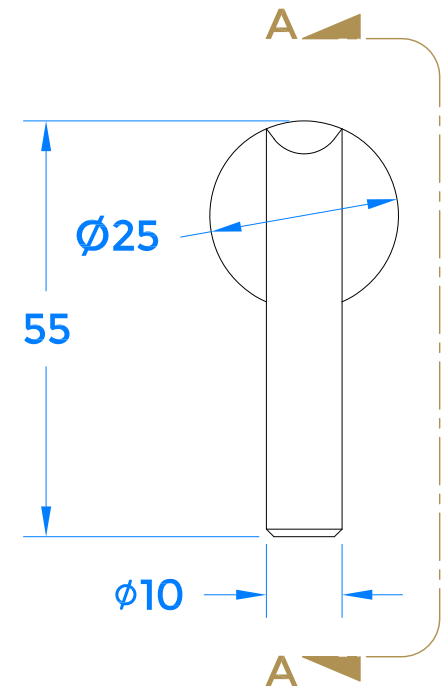
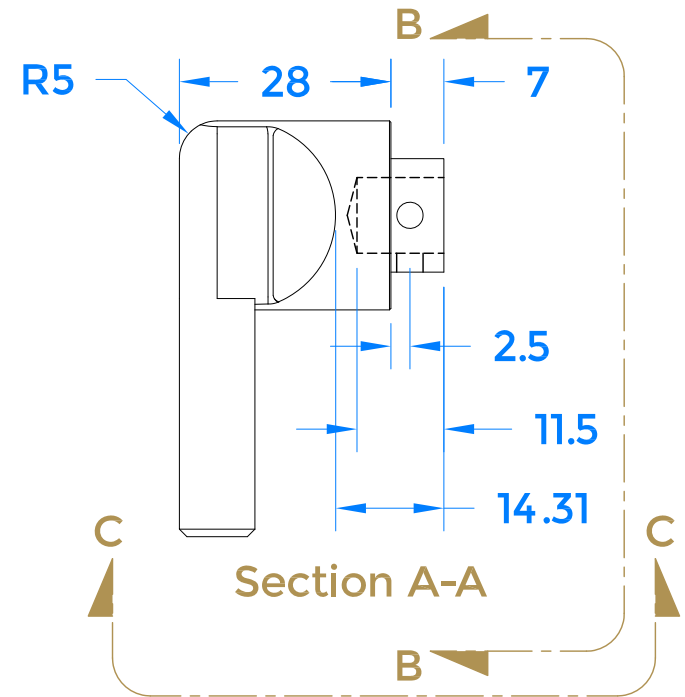


REVISION HISTORY		
Revision	Description	Date
A	Release	14/06/18
B	Added 2 x Ø3.5 Holes in Shoulder	19/09/18

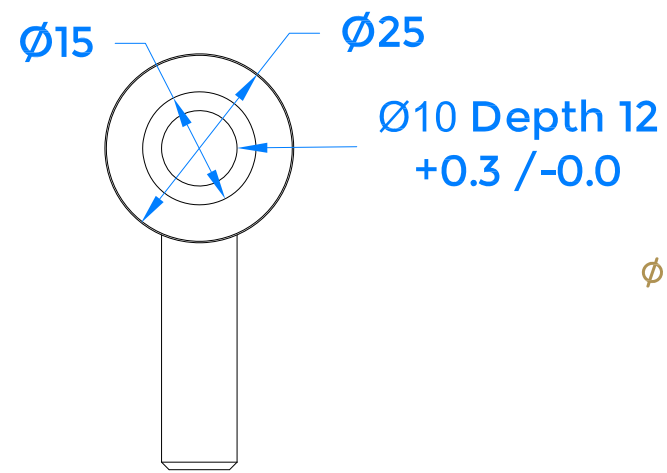
Front View



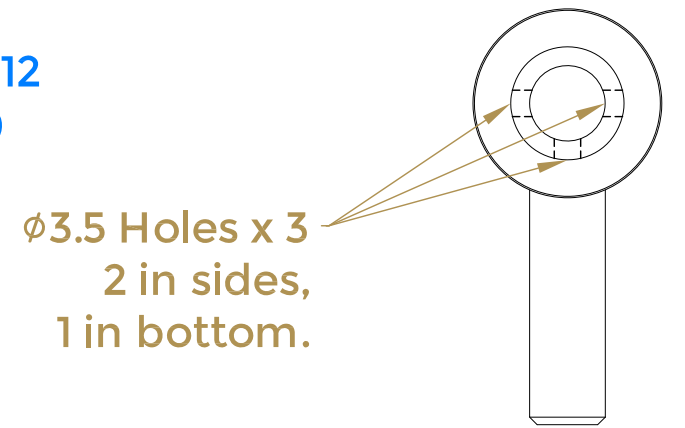
Side View



Rear View

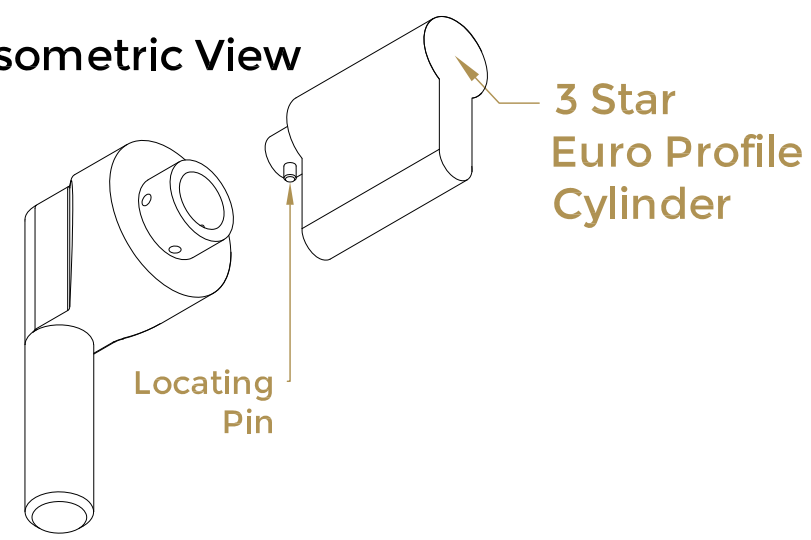


Section B-B

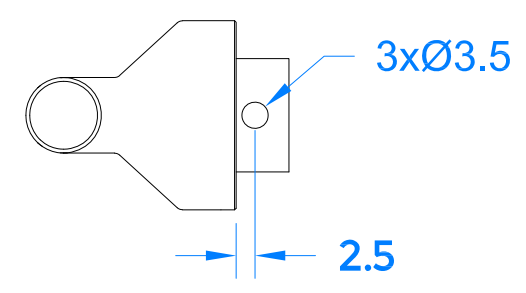


Ø3.5 Holes x 3
2 in sides,
1 in bottom.

Isometric View

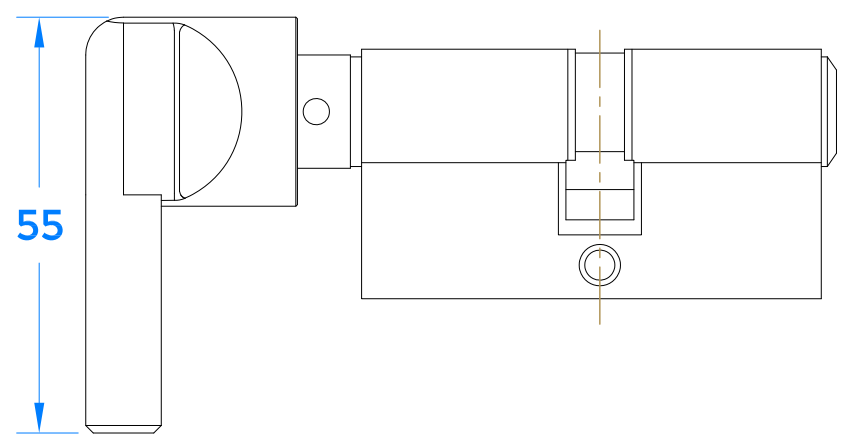


Bottom View



Section C-C

Assembled View



To fit, simply push the locating pin in on the bottom of the existing thumb turn then remove, slide on the new thumb turn on until the pin locates and locks in place in one of the 3 holes provided in the shoulder.

coastal-group.com
Shaping the future

COASTAL

Part Number / Drawing Title:
**KPT Bar Type Thumb Turn
For KABA 3 Star Cylinders**

Product Range:
Cylinders & Turns

Material:	316 Stainless Steel
Additional Info:	For use with KABA 3 Star KPT Cylinders
Date Drawn:	19/09/2018
Drawn By:	Philip Walklett
Part Number:	KPT-BTT
File Name:	KPT-BTT.dwg
Revision:	B
Drawing Scale:	1:1 @ A3
Sheet Number:	1 of 1

THIRD ANGLE PROJECTION

This drawing and specification are the property of Coastal Specialist Ironmongery Ltd, they are issued in strict confidence and shall not be reproduced, copied or used without written permission. E&OE - All dimensions are specified in mm.