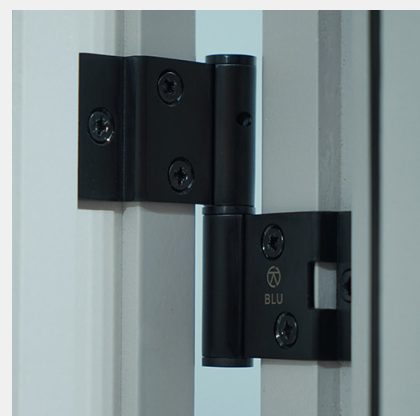


BLU RANGE

TRITUS FLUSH LIFT-OFF BUTT HINGE

Product Code: FH70

LIT-DC-FH70



316 Marine Grade Stainless Steel Hardware Range

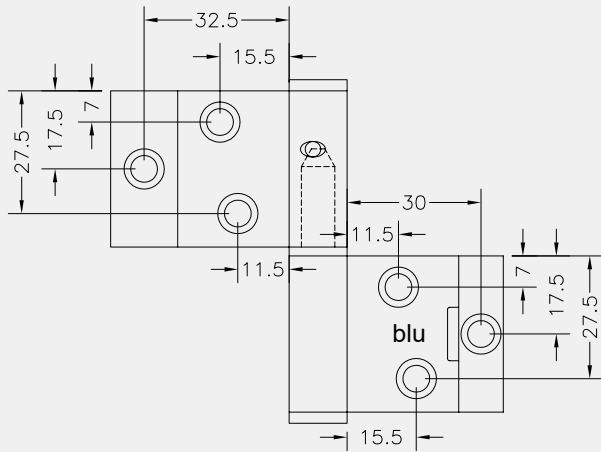
- High quality lift-off butt hinge with pressed flanges to fit into the Tritus Flush Casement Window grooves
- The 12mm frame groove positions the hinge for extremely quick installation
- Lift-off feature means the sashes can be sent to site after frame installation, and can be easily lifted off for repainting or renovation
- Hinges meet the requirements of BS DS EN 1935: 2002 Grade 9: 25,000 cycles / 60kg
- The FH70 in SSS, PSS, PPB & PBK finishes are made from 316 Marine Grade Stainless Steel for longevity and protection against corrosion, ideal for use with acidic timber
- Successfully used in our Part Q Test
- Note these hinges are handed looking from the outside of the building. Use one of each hand for top hung casements



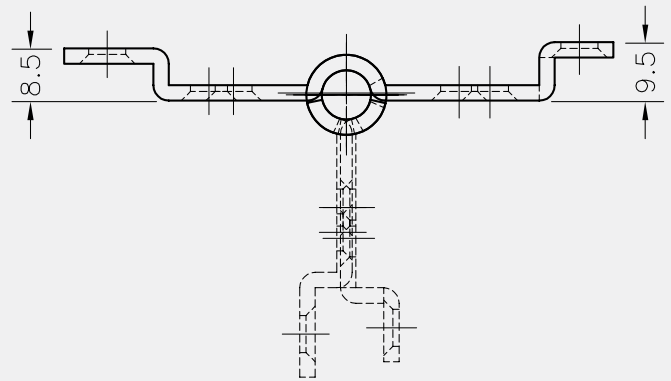
COASTAL

Shaping the future.

Front Profile



Top Profile



Visit www.coastal-group.com for CAD drawings

FINISHES:



SSS
Satin Stainless Steel



PSS
Polished Stainless Steel



PSB
PVD Satin Brass



PPB
PVD Polished Brass



SV
Silver Passivated



PBK
PVD Satin Black

PART NUMBER	PRODUCT DESCRIPTION	FINISH	UNITS
FH70-LH-SSS	70mm Flush casement hinge	SSS	Each
FH70-RH-SSS	70mm Flush casement hinge	SSS	Each
FH70-LH-PSS	70mm Flush casement hinge	PSS	Each
FH70-RH-PSS	70mm Flush casement hinge	PSS	Each
FH70-LH-PSB	70mm Flush casement hinge	PSB	Each
FH70-RH-PSB	70mm Flush casement hinge	PSB	Each
FH70-LH-PPB	70mm Flush casement hinge	PPB	Each
FH70-RH-PPB	70mm Flush casement hinge	PPB	Each
FH70-LH-SV	70mm Flush casement hinge	SV	Each
FH70-RH-SV	70mm Flush casement hinge	SV	Each
FH70-LH-PBK	70mm Flush casement hinge	PBK	Each
FH70-RH-PBK	70mm Flush casement hinge	PBK	Each



COASTAL

Shaping the future.