

DEFENDER STANDARD FRICTION HINGE - SIDE HUNG

Product Code: DS

LIT-DC-DS



Window Friction Hinge Range

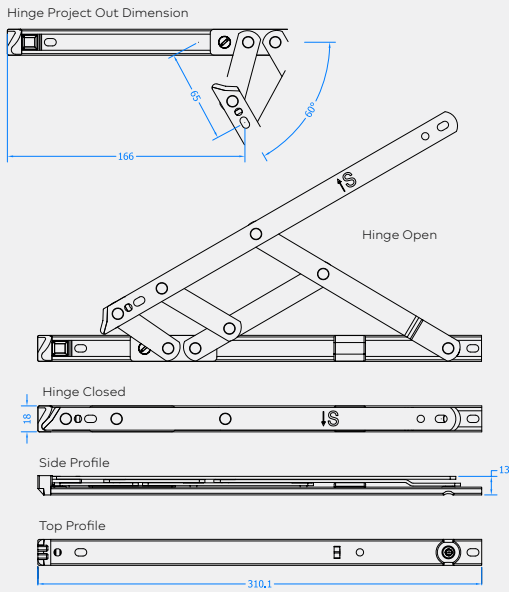
- High performance friction hinge for side hung windows
- Improved weathersealing and draught proofing performance from extended enclosed end cap and asymmetrical vent arm to meet BS 6375-1:2009 performance of windows
- Lipped slider for enhanced smooth operation
- Easy friction adjustment without metal to metal contact
- Unique robust cam friction device eliminates any risk of friction screw misuse
- Tested to 30,000 cycles
- The projecting cap hinge can only be used on fully profiled windows such as Leitz, Oertli, Whitehill & Coastal High-Performance Flush and Stormproof Windows where the euro grooves are machined all around the casement
- You may also need the Phillips Pan Head 4.3mm x 25mm, A2 Stainless Steel Friction Hinge Screws. Use Code: FX-UKF4325-USS.



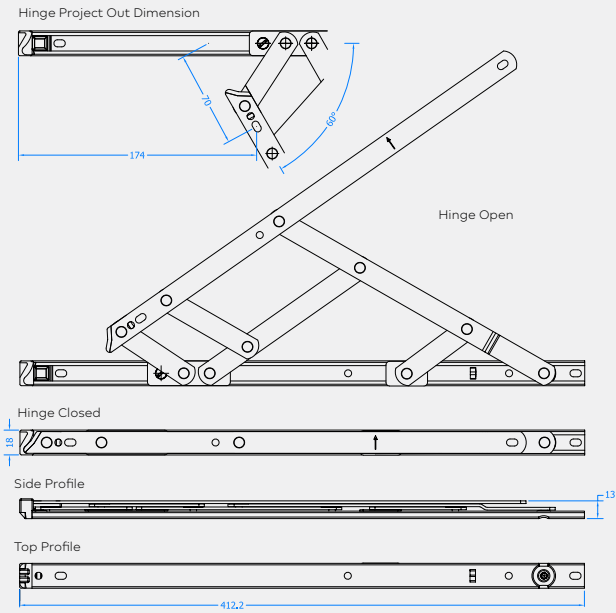
COASTAL

Shaping the future.

DS12



DS16



Visit www.coastal-group.com for CAD drawings

FINISHES:



FSS
Ferritic Stainless Steel



ASS
Austenitic Stainless Steel

PART NUMBER	PRODUCT DESCRIPTION	FINISH	UNITS
DS12-FC-FSS	12" Side hung, std, flush cap	FSS	Pair
DS16-FC-FSS	16" Side hung, std, flush cap	FSS	Pair
DSH16-PC-ASS	16" Side hung, projecting cap, H/duty	ASS	Pair

PRODUCT CODE	HINGE	MATERIAL (mm)	HINGE SIZE (mm)	MIN SASH WIDTH (mm)	MAX SASH WIDTH (mm)	MAX SASH WEIGHT (kg)	STACK HEIGHT (mm)	GROOVE SIZE WIDTH (mm)	FULL MAX OPENING ANGLE (±2.5°)	RESTRICTED MAX OPENING ANGLE (±2.5°)	FIRE ESCAPE? (Egress)	EASY CLEAN?
DS12-FC-FSS	Side	Ferritic SS	310	300	600	22	13	16	60	-	No	No
DS16-FC-FSS	Side	Ferritic SS	412	400	700	24	13	16	60	-	No	No
DSH16-PC-ASS	Side	Austenitic SS	412	400	1,000	40	13.5	16	60	-	No	No



COASTAL

Shaping the future.