

# DEFENDER STANDARD FRICTION HINGE - TOP HUNG

---

Product Code: DT

LIT-DC-DT



## *Window Friction Hinge Range*

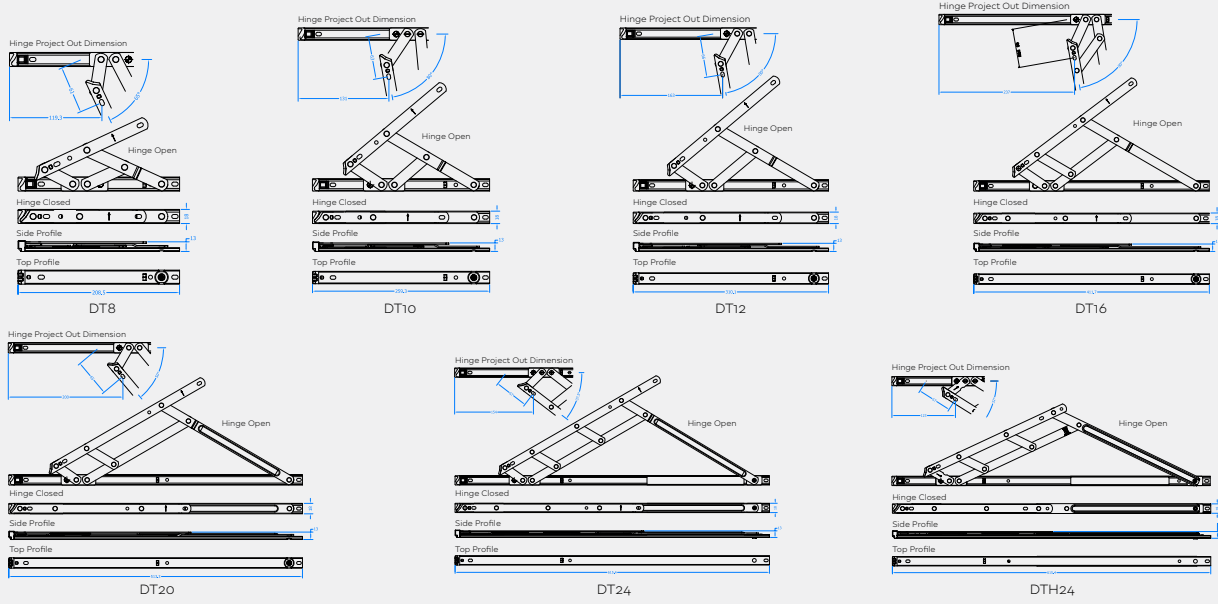
- High performance friction hinge for top hung windows
- Improved weathersealing and draught proofing performance from extended enclosed end cap and asymmetrical vent arm to meet BS 6375-1:2009 performance of windows
- Lipped slider for enhanced smooth operation
- Easy friction adjustment without metal to metal contact
- Unique robust cam friction device eliminates any risk of friction screw misuse
- Tested to 30,000 cycles
- Successfully used on our Part Q Test



**COASTAL**

*Shaping the future.*

Product Code: DT  
DEFENDER STANDARD FRICTION HINGE - TOP HUNG



Visit [www.coastal-group.com](http://www.coastal-group.com) for CAD drawings

FINISHES:



FSS

Ferritic Stainless Steel

PART NUMBER	PRODUCT DESCRIPTION	FINISH	UNITS
DT08-FC-FSS	8" Top hung, std, flush cap	FSS	Pair
DT10-FC-FSS	10" Top hung, std, flush cap	FSS	Pair
DT12-FC-FSS	12" Top hung, std, flush cap	FSS	Pair
DT16-FC-FSS	16" Top hung, std, flush cap	FSS	Pair
DT20-FC-FSS	20" Top hung, std, flush cap	FSS	Pair
DT24-FC-FSS	24" Top hung, std, flush cap	FSS	Pair

PRODUCT CODE	HINGE	MATERIAL (mm)	HINGE SIZE (mm)	MIN SASH WIDTH (mm)	MAX SASH WIDTH (mm)	MAX SASH WEIGHT (kg)	STACK HEIGHT (mm)	GROOVE SIZE WIDTH (mm)	FULL MAX OPENING ANGLE (°/±5°)	RESTRICTED MAX OPENING ANGLE (°/±5°)	FIRE ESCAPE? (Egress)	EASY CLEAN?
DT08-FC-FSS	Side/Top	Ferritic SS	209	200	350	12	13	16	65	-	No	No
DT10-FC-FSS	Top	Ferritic SS	259	275	400	16	13	16	80	-	No	No
DT12-FC-FSS	Top	Ferritic SS	310	350	550	20	13	16	80	-	Yes	No
DT16-FC-FSS	Top	Ferritic SS	412	500	780	21	13	16	80	-	Yes	No
DT20-FC-FSS	Top	Ferritic SS	513	700	1,300	26	13	16	80	-	Yes	No
DT24-FC-FSS	Top	Ferritic SS	615	850	1,300	40	13	16	37.5	-	Yes	No
DTH24-FC-FSS	Top	Ferritic SS	615	850	1,500	50	13.5	16	27	-	Yes	No



COASTAL

Shaping the future.