

SUMO EGRESS FRICTION HINGE - SIDE HUNG

Product Code: DX

LIT-DC-DX



Window Friction Hinge Range

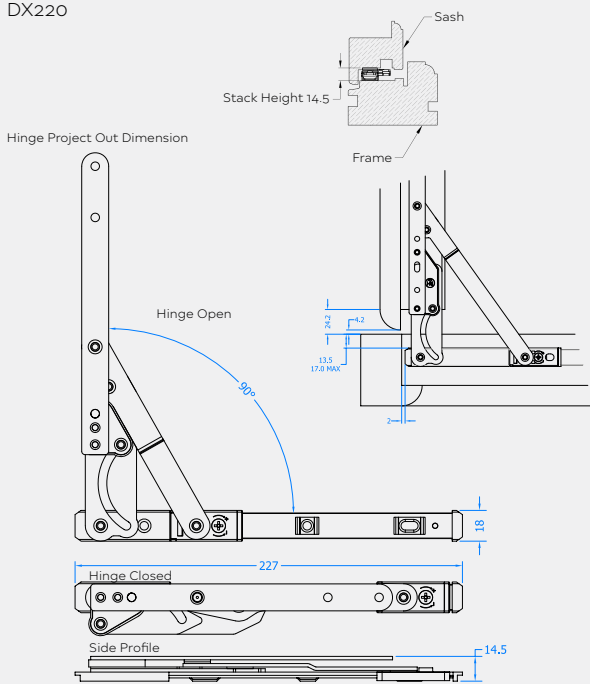
- Sumo Egress Friction Hinge for Side Hung Casement Windows
- Designed to maximise escape aperture, opening to a true 90 degrees for egress compliance
- Solves issue of sash binding on the frame, projecting the sash out before swinging open
- Tested to over 25,000 cycles with a 40kg operational load, and has been tested to PAS 24: 2012 (BS 7950: 1997) security test on our Part Q window system
- Tested to BS EN 1670: 2007 and has exceeded Grade 5 classification for the ultimate in corrosion resistance
- 430 Grade Stainless Steel / Aluminium / Nylon Components
- Reduces possibility of finger entrapment
- Provides excellent compression and is ideal hinge for triple glazing applications



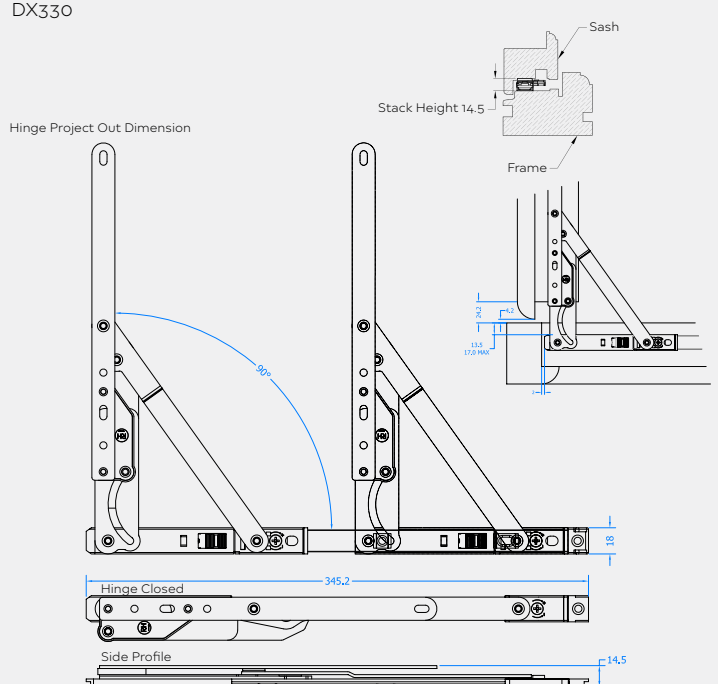
COASTAL

Shaping the future.

DX220



DX330



Visit www.coastal-group.com for CAD drawings

FINISHES:



FSS

Ferritic Stainless Steel

PART NUMBER	PRODUCT DESCRIPTION	FINISH	UNITS
DX220-FSS	227mm Sumo Baby, non-easy clean	FSS	Pair
DX330-FSS	345mm Sumo Daddy, easy clean	FSS	Pair

PRODUCT CODE	HINGE	MATERIAL (mm)	HINGE SIZE (mm)	MIN SASH WIDTH (mm)	MAX SASH WIDTH (mm)	MAX SASH WEIGHT (kg)	STACK HEIGHT (mm)	GROOVE SIZE WIDTH (mm)	FULL MAX OPENING ANGLE (+/-2.5°)	RESTRICTED MAX OPENING ANGLE (+/-2.5°)	FIRE ESCAPE? (Egress)	EASY CLEAN?
DX220-FSS	Side	Austenetic SS	227	-	600	33	14.5	16	90	-	Yes	No
DX330-FSS	Side	Austenetic SS	345	-	900	40	14.5	16	90	-	Yes	Yes



COASTAL

Shaping the future.