

EURO PROFILE MORTICE DEADLOCK TO BS3621

Product Code: EDBL5025/30

LIT-DC-EDBL5025/30



Mortice Lock Range

- High security euro profile cylinder deadlock
- Conforms to BS EN 12209, BS1303 and BS3621 when used with correct cylinder and rose
- Kite marked deadlock
- CE and Certifire tested deadlock

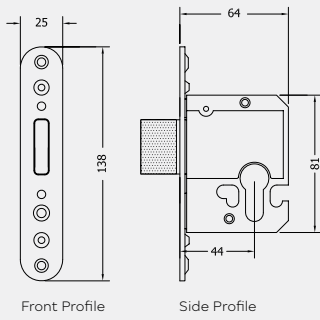


COASTAL

Shaping the future.

EURO PROFILE MORTICE DEADLOCK TO BS3621

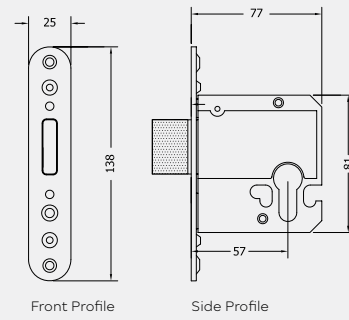
EDBL5025



Front Profile

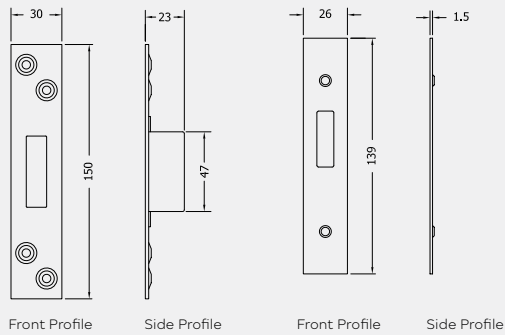
Side Profile

EDBL5030



Front Profile

Side Profile

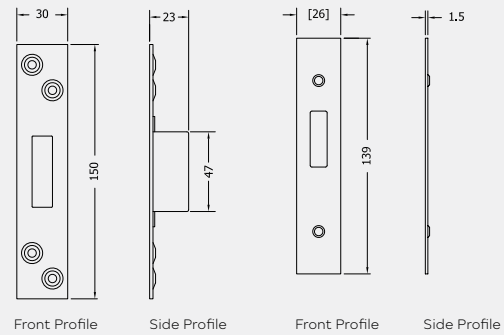


Front Profile

Side Profile

Front Profile

Side Profile



Front Profile

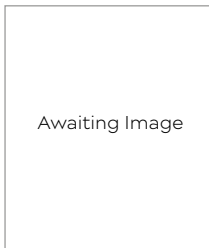
Side Profile

Front Profile

Side Profile

Visit www.coastal-group.com for CAD drawings

FINISHES:



SSS

Satin Chrome

PPB

Polished Brass

PART NUMBER	PRODUCT DESCRIPTION	FINISH	UNITS
EDBL5025-SSS	64mm Euro profile BS deadlock	SSS	Each
EDBL5025-PPB	64mm Euro profile BS deadlock	PPB	Each
EDBL5030-SSS	76mm Euro profile BS deadlock	SSS	Each
EDBL5030-PPB	76mm Euro profile BS deadlock	PPB	Each

PART NUMBER	PRODUCT DESCRIPTION	FINISH	UNITS
ARB5405-SSS	13mm Rebate kit for EDBL locks	SSS	Each
ARB5405-PPB	13mm Rebate kit for EDBL locks	PPB	Each



COASTAL

Shaping the future.