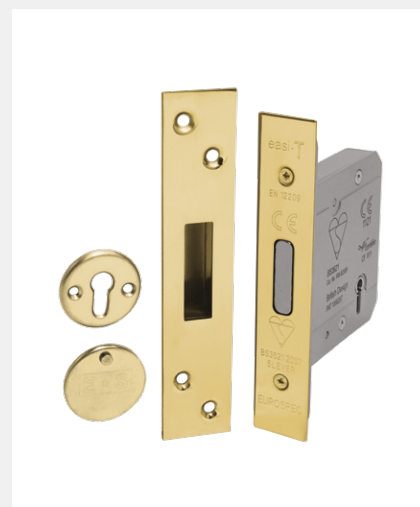


5 LEVER MORTICE DEADLOCK TO BS3621

Product Code: LDB5525/30

LIT-DC-LDB5525/30



Mortice Lock Range

- High security 5 lever deadlock
- Conforms to BS3621
- CE and Certifire tested deadlock
- Suitable for use in all domestic, industrial and commercial applications

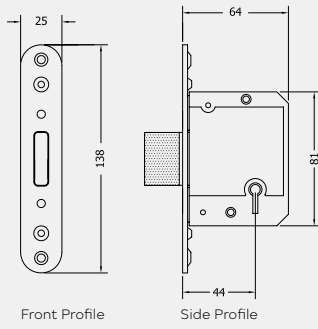


COASTAL

Shaping the future.

5 LEVER MORTICE DEADLOCK TO BS3621

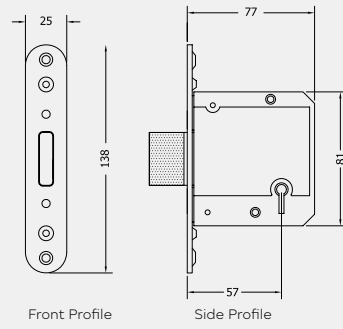
LDB5525



Front Profile

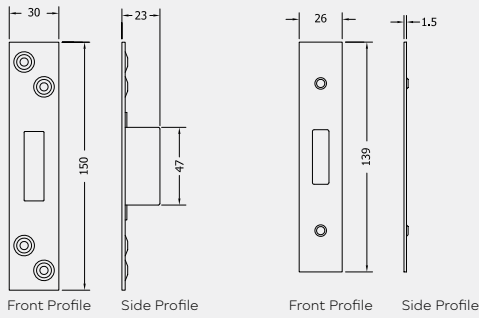
Side Profile

LDB5530



Front Profile

Side Profile

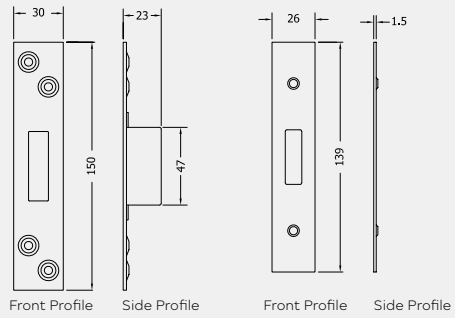


Front Profile

Side Profile

Front Profile

Side Profile



Front Profile

Side Profile

Front Profile

Side Profile

Visit www.coastal-group.com for CAD drawings

FINISHES:



SSS

Satin Chrome



PPB

Polished Brass

PART NUMBER	PRODUCT DESCRIPTION	FINISH	UNITS
LDB5525-SSS	64mm 5 Lever BS deadlock	SSS	Each
LDB5525-PPB	64mm 5 Lever BS deadlock	PPB	Each
LDB5530-SSS	76mm 5 Lever BS deadlock	SSS	Each
LDB5530-PPB	76mm 5 Lever BS deadlock	PPB	Each

PART NUMBER	PRODUCT DESCRIPTION	FINISH	UNITS
ARB5205-SSS	13mm Rebate kit for LDB locks	SSS	Each
ARB5205-PPB	13mm Rebate kit for LDB locks	PPB	Each



COASTAL

Shaping the future.