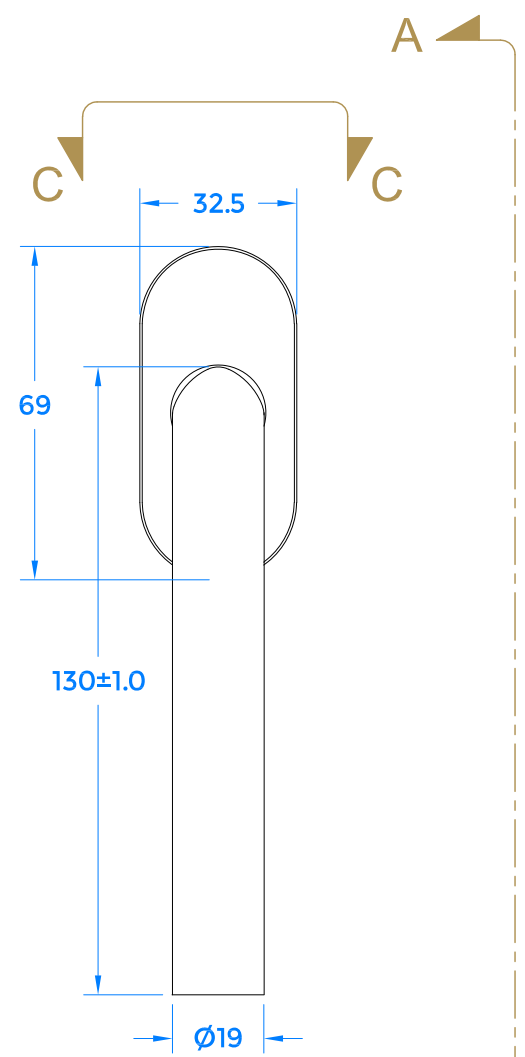
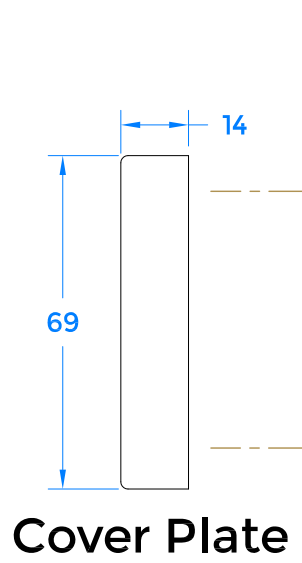


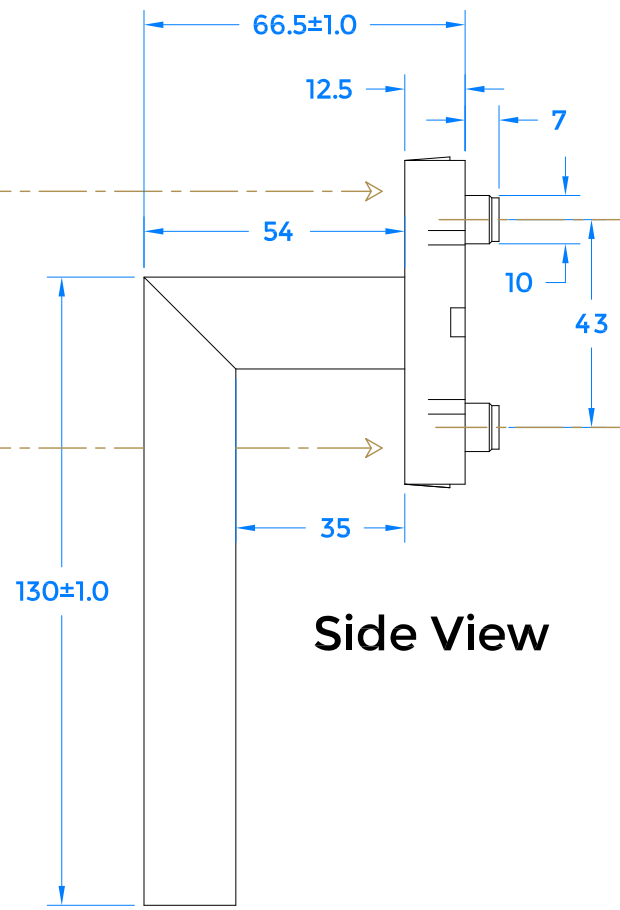
REVISION HISTORY		
Revision	Description	Date
A	Release	23/08/21



Assembled Font View

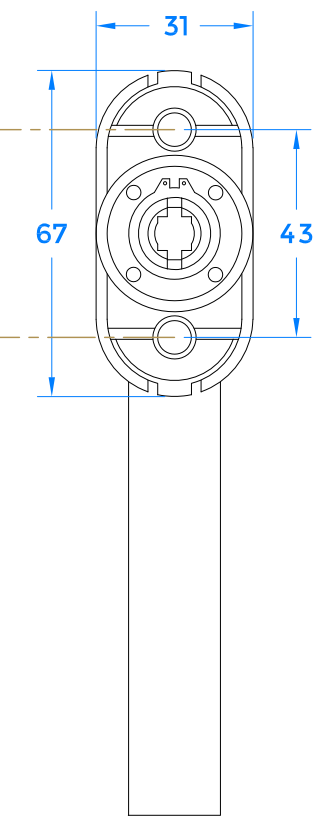


Cover Plate



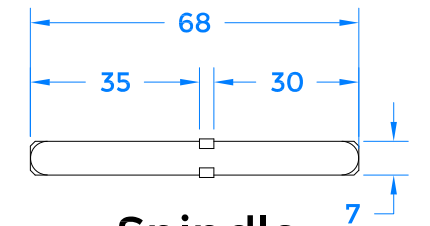
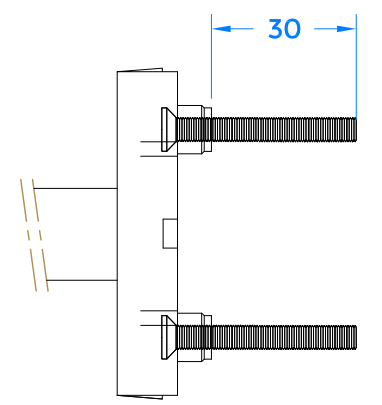
Side View

Section A-A

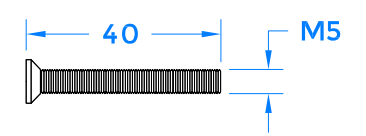


Rear View

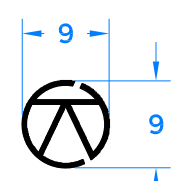
Bolt Clearance View



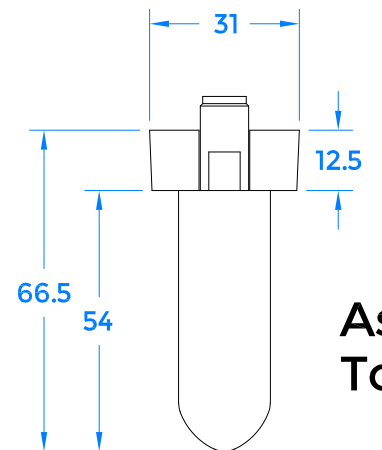
Spindle



2 x S.S. M5x40  
Fixing Bolts

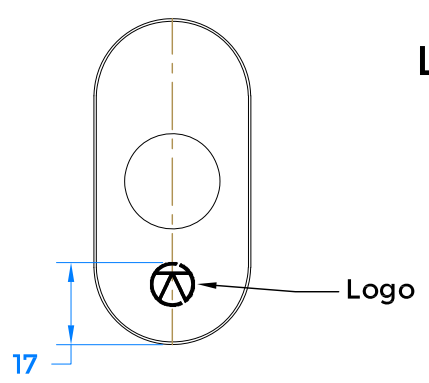


Logo Detail  
(Not to Scale)

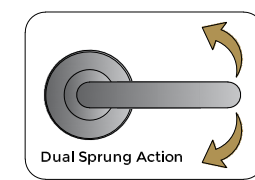


Assembled Top View

Section C-C



Logo Position





coastal-group.com  
*Shaping the future*

**COASTAL**

Part Number / Drawing Title:  
**TTH50**  
**Tilt & Turn Window Handle**

Product Range:  
**Window Handles**

Material: **316 Stainless Steel / Plastic**

Additional Info:

Date Drawn: **23/08/2021**

Drawn By: **Philip Walklett**

Part Number: **TTH50**

File Name: **TTH50.dwg**

Revision: **A**

Drawing Scale: **Not to Scale**

Sheet Number: **1 of 1**

THIRD ANGLE PROJECTION 

This drawing and specification are the property of Coastal Specialist Ironmongery Ltd. they are issued in strict confidence and shall not be reproduced, copied or used without written permission.  
ESOE - All dimensions are specified in mm.