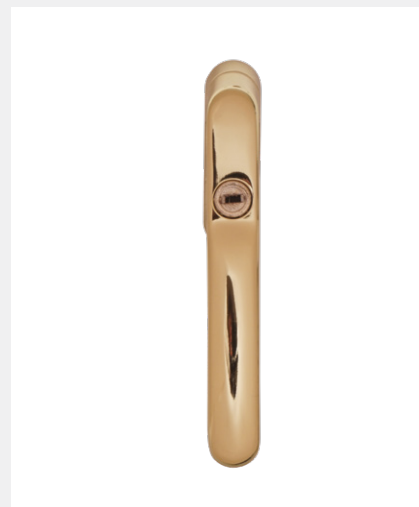


CRAFTSMAN LOCKING WINDOW FASTENER

Product Code: CR133

LIT-DC-CR133



Solid Brass Hardware Range

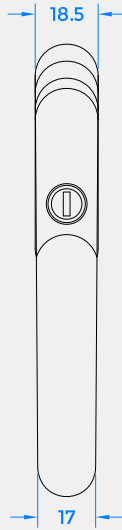
- Craftsman casement window fastener
- Solid die cast construction
- Key lockable
- All finishes meet the requirements of BS EN 1670:2007 Grade 5 (480 hours) for Corrosion Resistance
- Tested in excess of 50,000 cycles
- Matching casement stay available



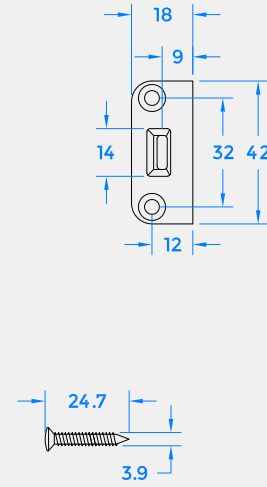
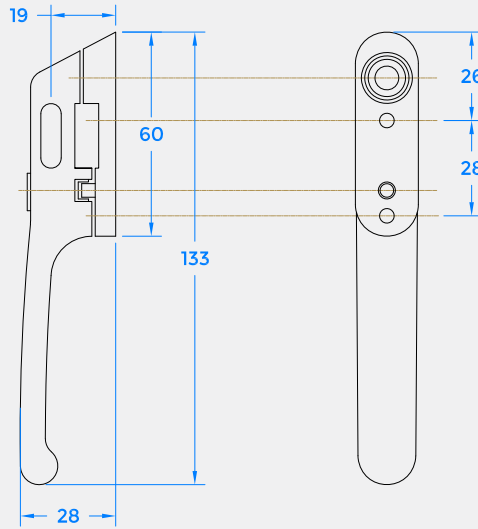
COASTAL

Shaping the future.

Front Profile



Side Profile



Visit www.coastal-group.com for CAD drawings

FINISHES:



HS
Hardex Satin



HC
Hardex Chrome



HG
Hardex Gold



BA
Black Antique

PART NUMBER	PRODUCT DESCRIPTION	FINISH	UNITS
CR133-FAST-HS	Locking window fastener	HS	Each
CR133-FAST-HC	Locking window fastener	HC	Each
CR133-FAST-HG	Locking window fastener	HG	Each
CR133-FAST-BA	Locking window fastener	BA	Each

Care & Maintenance

- For continued protection of the finish & appearance:
- Routine cleaning of external hardware
- Lubricate moving parts at least twice a year
- The above is essential for products in use within 25 miles of the coast, in large industrial areas and close to building sites and we recommend more frequent cleaning in these areas



COASTAL

Shaping the future.