

# CRAFTSMAN NON-LOCKING WINDOW STAY

Product Code: CR280

LIT-DC-CR280



## *Solid Brass Hardware Range*

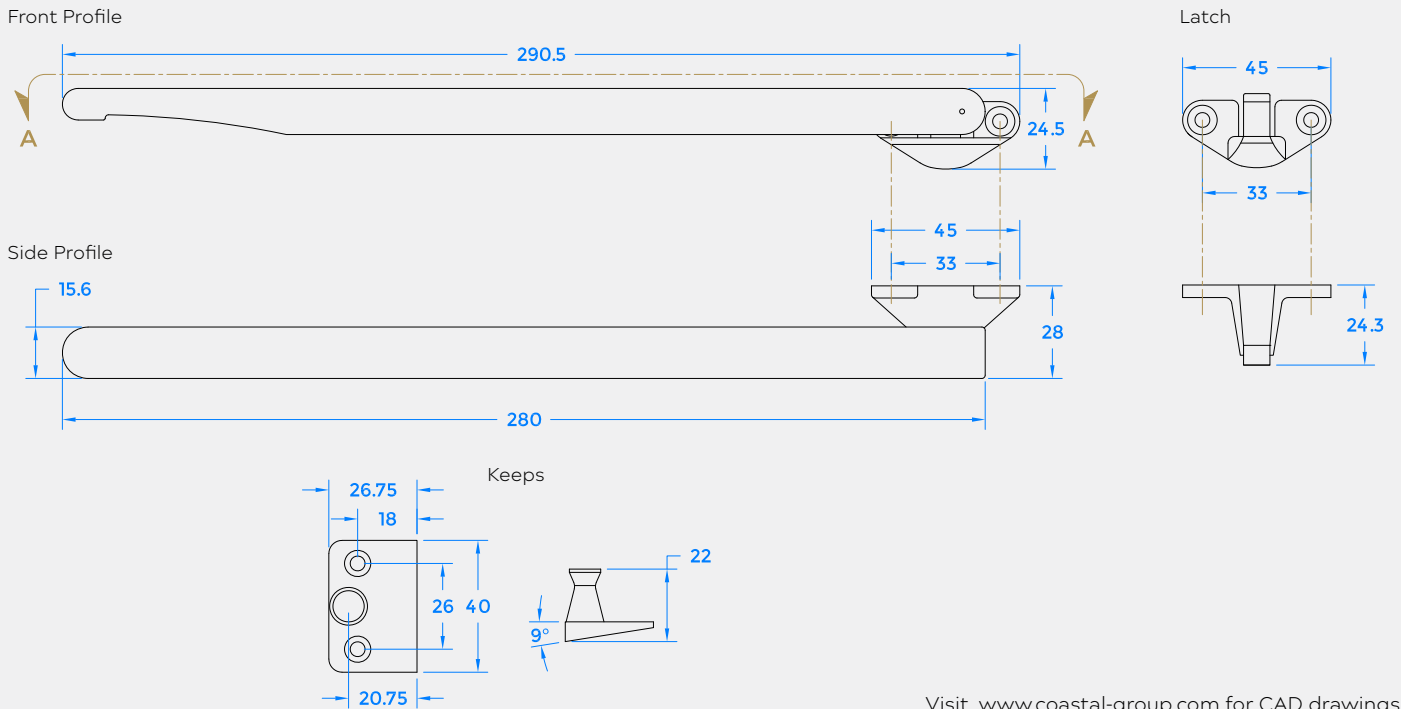
- Craftsman casement window stay
- Solid die cast construction
- Supplied with stay, peg and rest
- All finishes meet the requirements of BS EN 1670:2007 Grade 5 (480 hours) for Corrosion Resistance
- Tested in excess of 50,000 cycles
- Matching casement fastener available



# COASTAL

*Shaping the future.*

CRAFTSMAN NON-LOCKING WINDOW STAY



Visit [www.coastal-group.com](http://www.coastal-group.com) for CAD drawings

FINISHES:



**HS**  
Hardex Satin



**HC**  
Hardex Chrome



**HG**  
Hardex Gold



**BA**  
Black Antique

PART NUMBER	PRODUCT DESCRIPTION	FINISH	UNITS
CR280-STAY-HS	Non-locking window stay	<b>HS</b>	Each
CR280-STAY-HC	Non-locking window stay	<b>HC</b>	Each
CR280-STAY-HG	Non-locking window stay	<b>HG</b>	Each
CR280-STAY-BA	Non-locking window stay	<b>BA</b>	Each



**COASTAL**

*Shaping the future.*