

TILT & TURN WINDOW HANDLE

Product Code: TTH42

LIT-DC-TTH42



Window Hardware Range

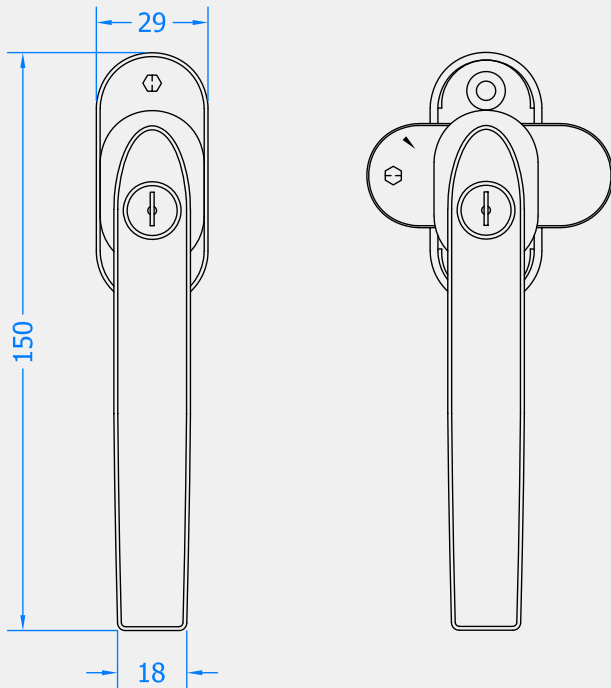
- Lockable tilt and turn window handle
- Mounted on an oval backplate enabling it to be fitted to slimline profiles
- Two locking options - the option to lock the window so it will not open at all, or the option to lock the window so it will tilt only but not turn
- Supplied with key but not fixing screws - please add FX-310-ZP to your order



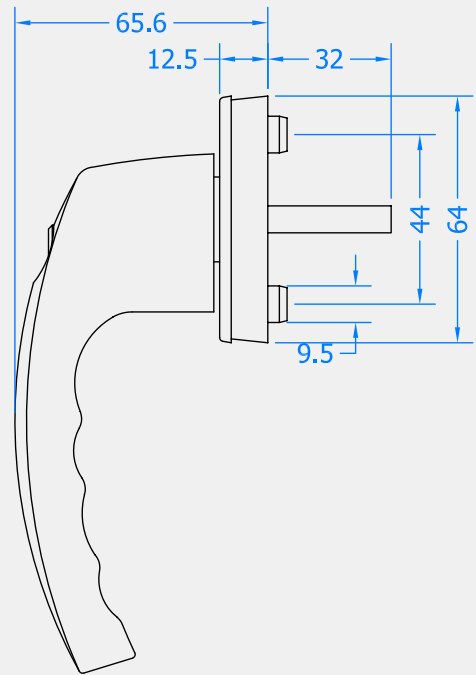
COASTAL

Shaping the future.

Front Profile



Side Profile



Visit www.coastal-group.com for CAD drawings

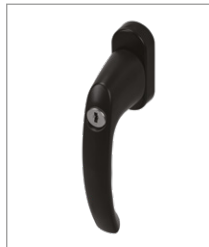
FINISHES:



CP
Polished Chrome



PB
Polished Brass



BK
Black

FX-KEY-TTH42
Spare locking key

TTH42 does not come with screws. To order screws, use code:
FX-310-250- ZP Box 250
FX-310-10- ZP Box 10



PART NUMBER	PRODUCT DESCRIPTION	FINISH	UNITS
TTH42-CP	Tilt & Turn locking handle	CP	Each
TTH42-PB	Tilt & Turn locking handle	PB	Each
TTH42-BK	Tilt & Turn locking handle	BK	Each



COASTAL

Shaping the future.