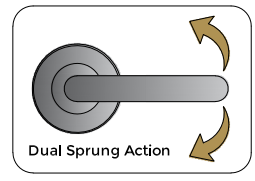
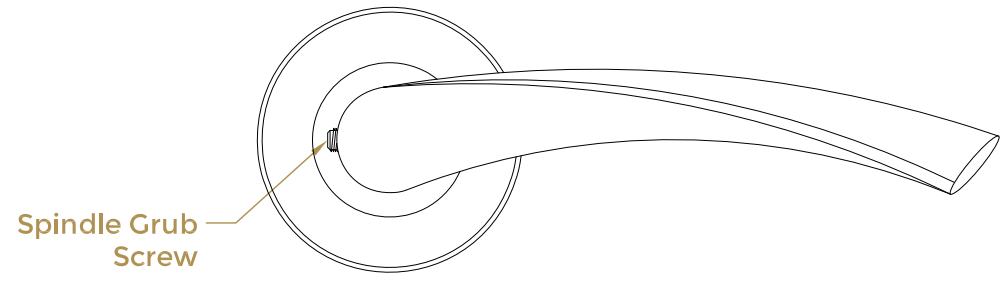
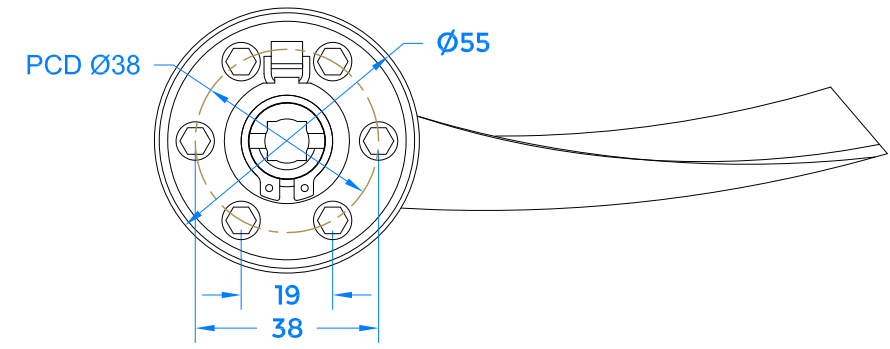
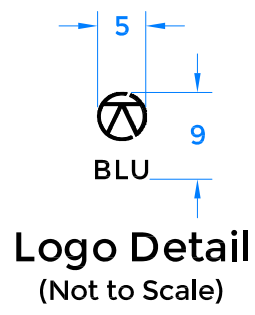
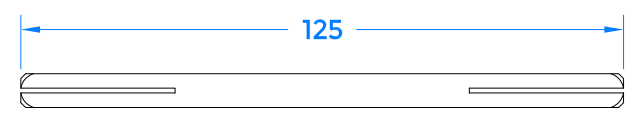
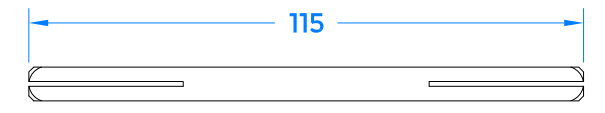
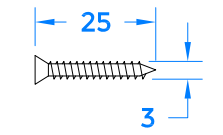
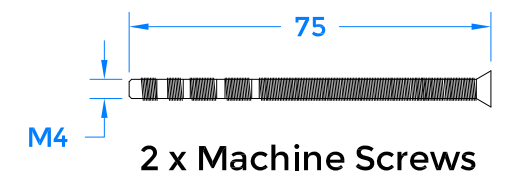
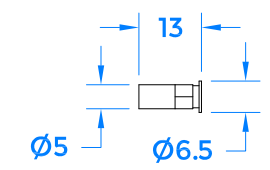
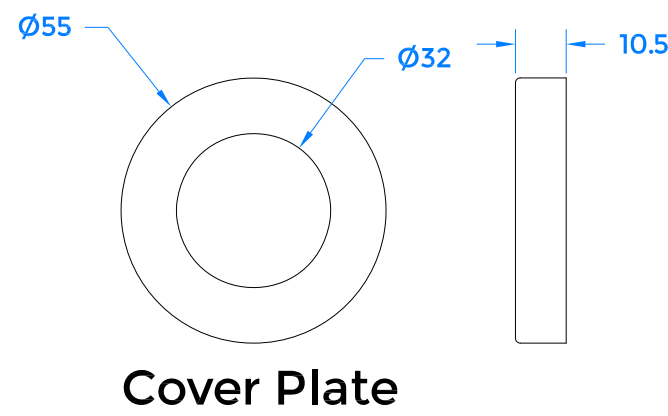
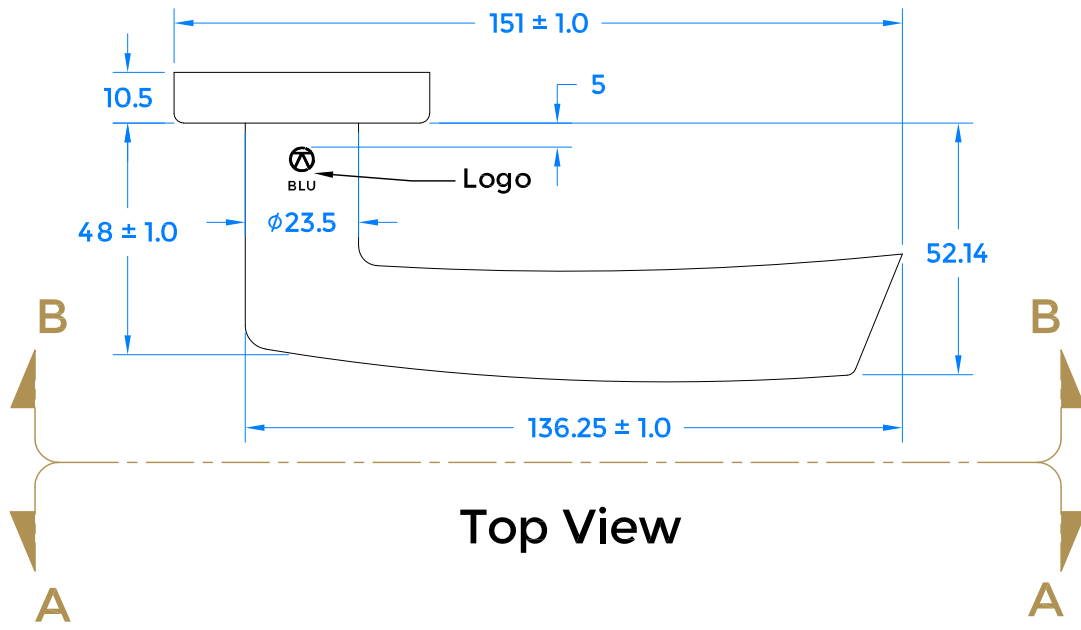


REVISION HISTORY		
Revision	Description	Date
A	Release	23/08/21



coastal-group.com
Shaping the future

COASTAL

Part Number / Drawing Title:
**WH900C
Wing Lever on Round Rose**

Product Range:
Door Handles

Material: **316 Stainless Steel**

Additional Info: **Back to Back**

Date Drawn: **23/08/2021**

Drawn By: **Philip Walklett**

Part Number: **WH900C**

File Name: **WH900C.dwg**

Revision: **A**

Drawing Scale: **Not to Scale**

Sheet Number: **1 of 1**

THIRD ANGLE PROJECTION

This drawing and specification are the property of Coastal Specialist Ironmongery Ltd. they are issued in strict confidence and shall not be reproduced, copied or used without written permission.
ESOE - All dimensions are specified in mm.