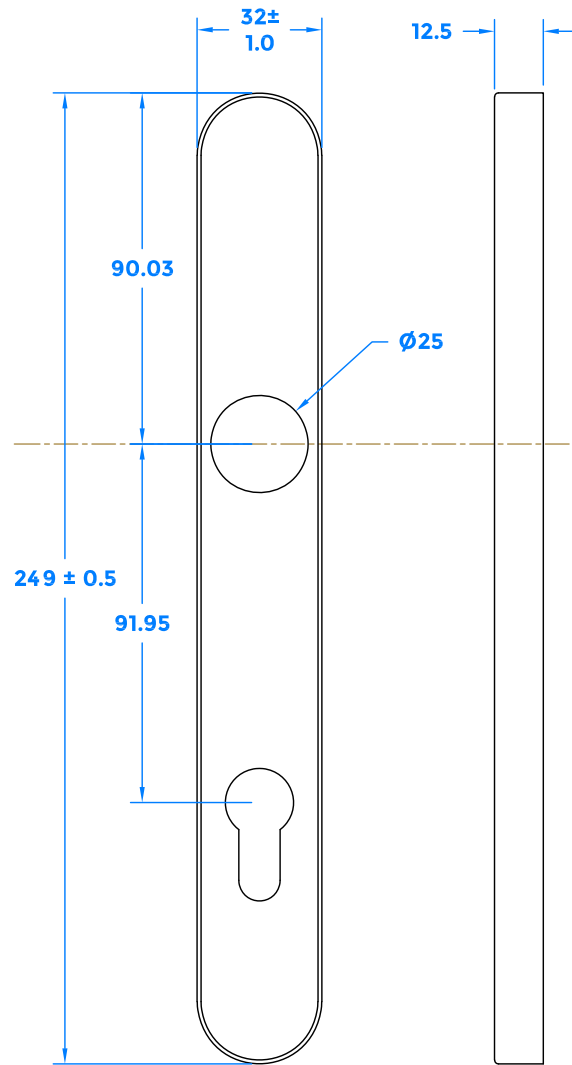
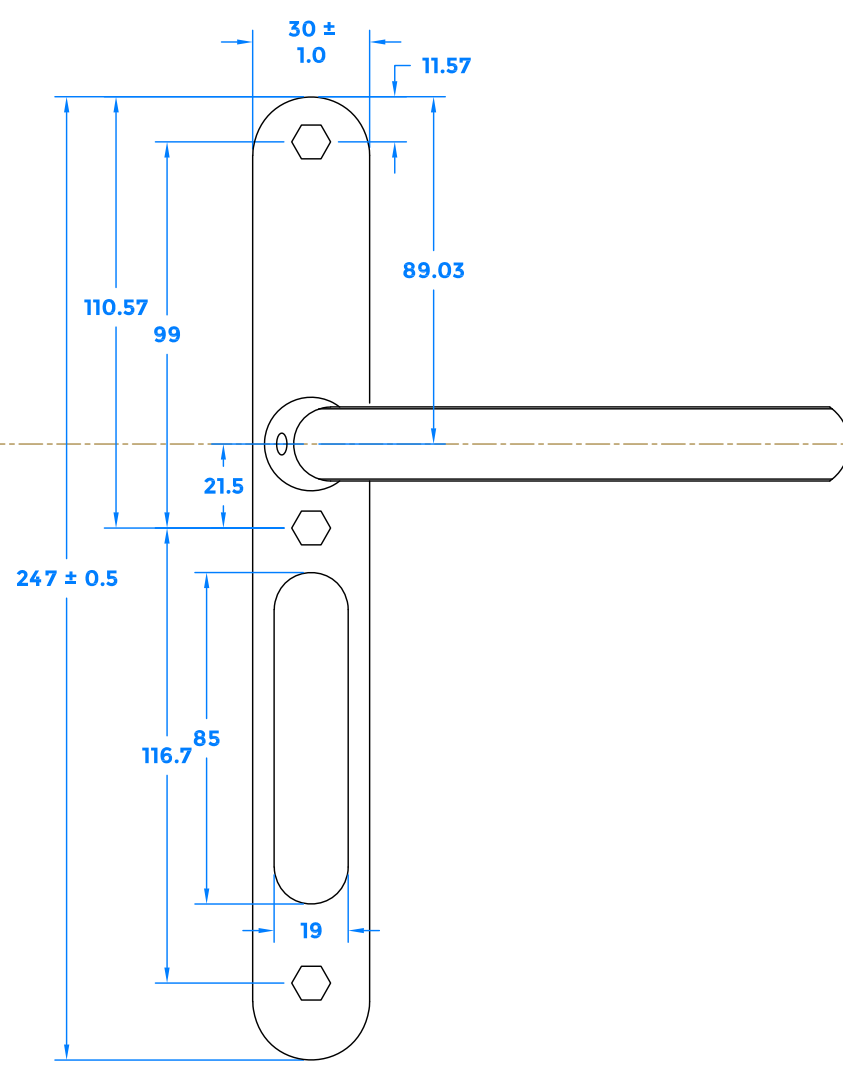


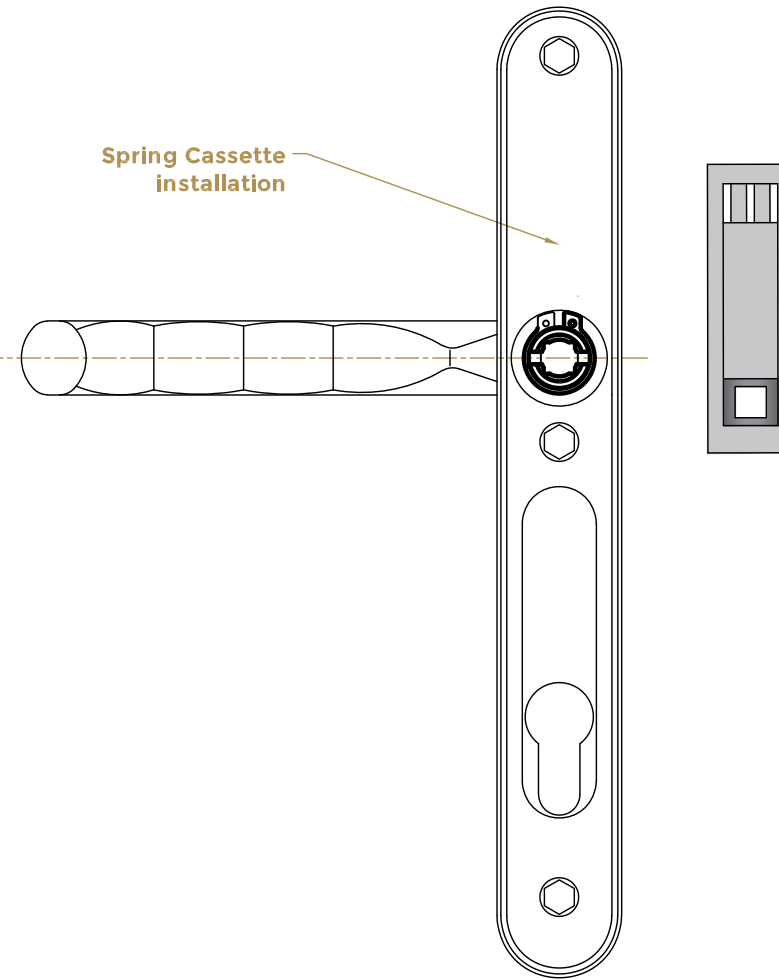
REVISION HISTORY		
Revision	Description	Date
A	Release	03/09/21
B	Changed spindle from 115mm to 110mm	9/11/2022
C	Sleeve diameter changed to 7mm	1/6/2023



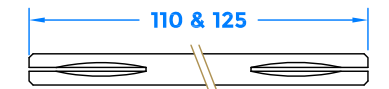
**Cover Plate**



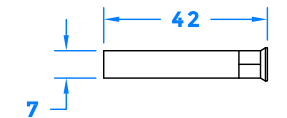
**Front View (without cover plate)**



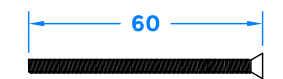
**Rear View (complete)**



**8x8x110 Spindle**  
**8x8x125 Spindle**



**Bolt Receiver Sleeve**



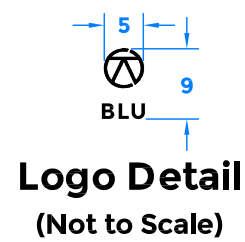
**60mm Bolts**  
Suits Doors up to 76mm Thick



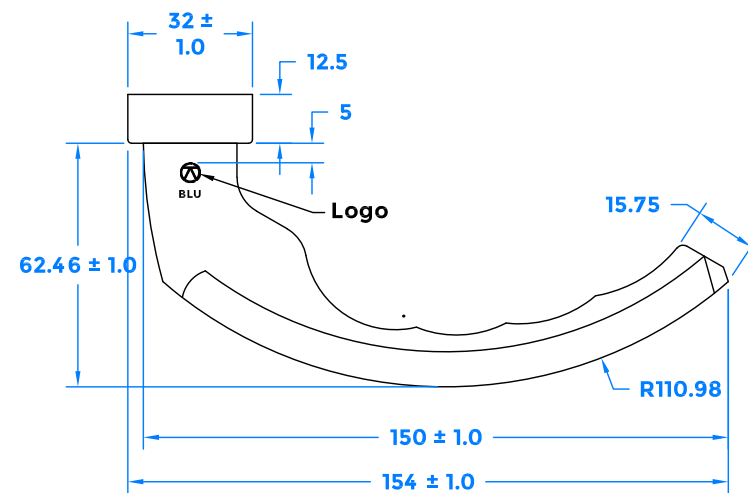
**40mm Bolts**  
Suits Doors up to 56mm Thick



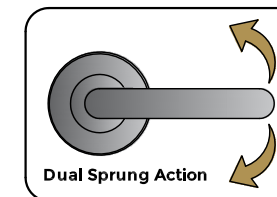
**3mm Allen Key**



**Logo Detail**  
(Not to Scale)



**Top View**



Dual Sprung Action



coastal-group.com  
*Shaping the future*

**COASTAL**

Part Number / Drawing Title:  
**KM130B**  
**Ergonomic Lever Door Handle**

Product Range:  
**Door Handles**

Material: 316 Stainless Steel

Additional Info: Back to Back

Date Drawn: 01/06/2023

Drawn By: Philip Walklett

Part Number: KM130B

File Name: KM130B.dwg

Revision: C

Drawing Scale: Not to Scale

Sheet Number: 1 of 1

**THIRD ANGLE PROJECTION**

This drawing and specification are the property of Coastal Specialist Ironmongery Ltd, they are issued in strict confidence and shall not be reproduced, copied or used without written permission.  
EAOE - All dimensions are specified in mm.