

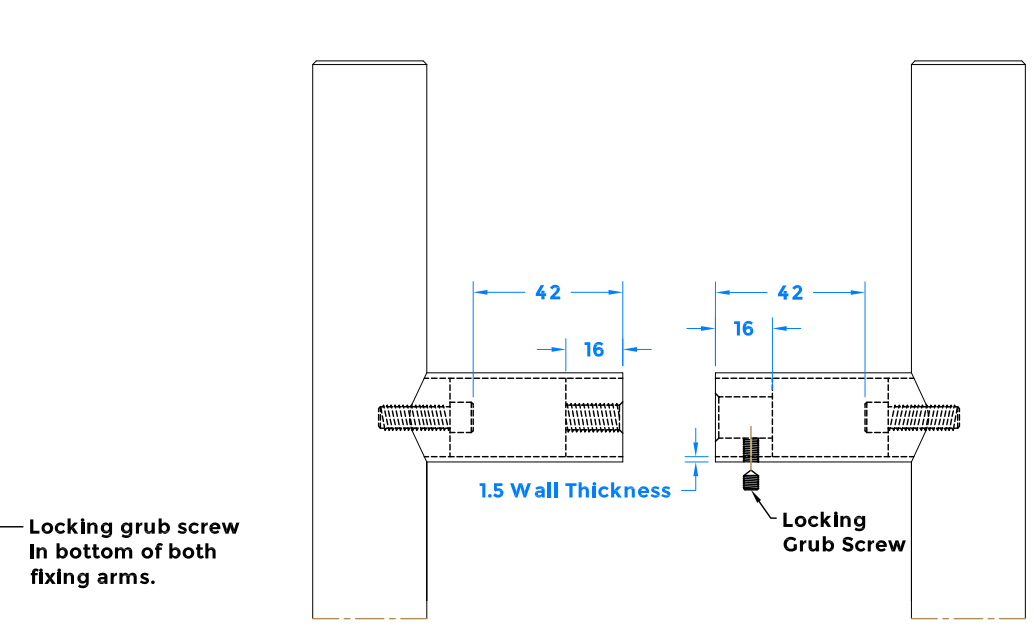
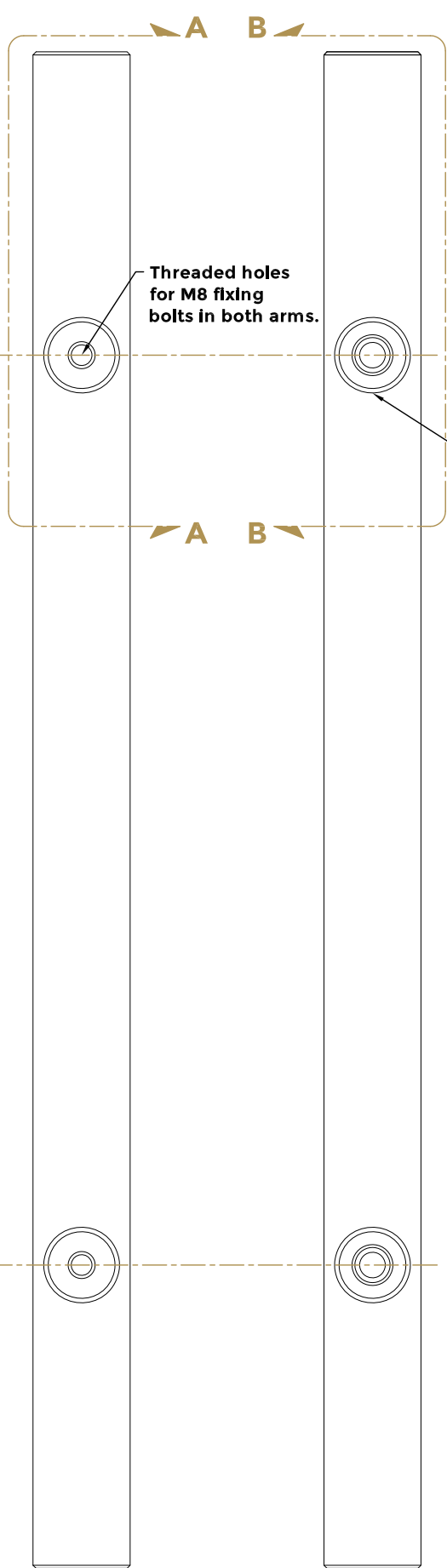
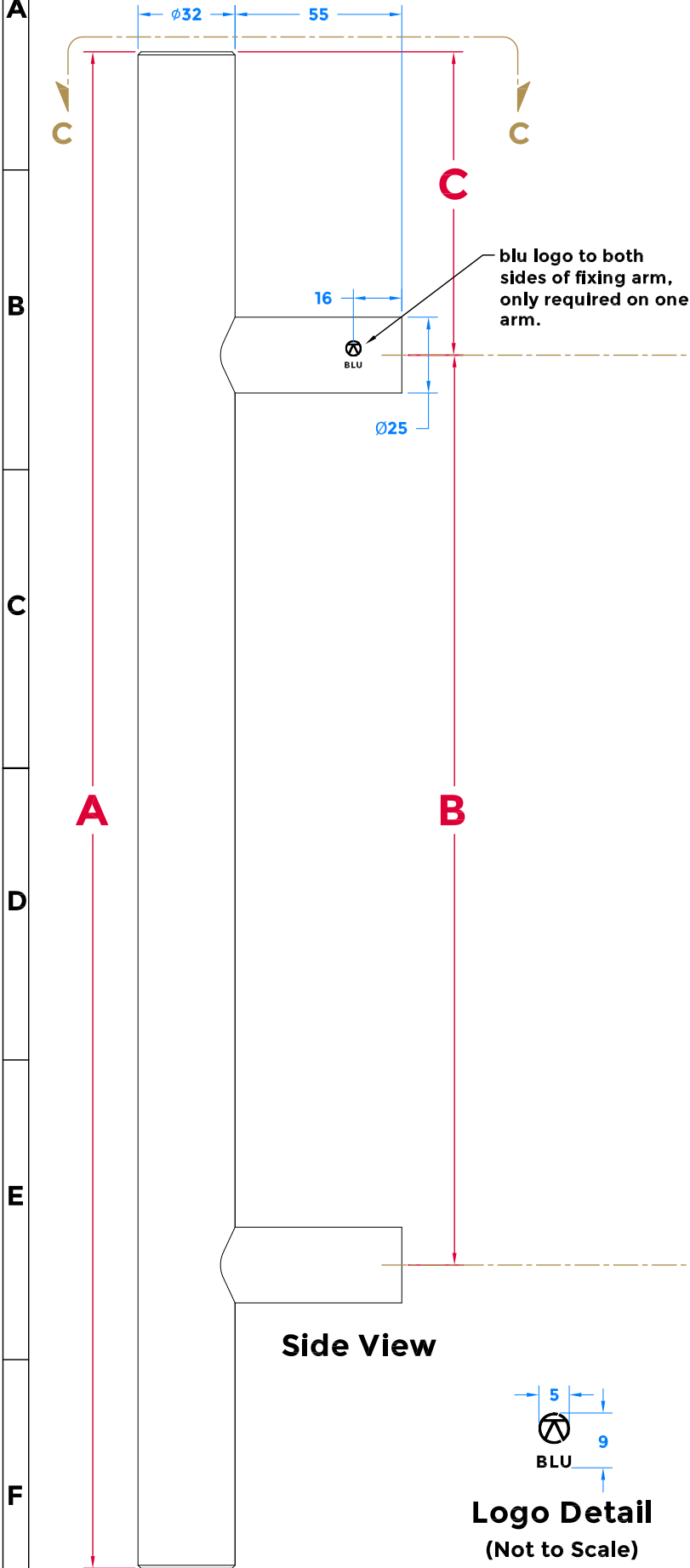
REVISION HISTORY		
Revision	Description	Date
A	Release	8/9/2021

External Handle

Internal Handle

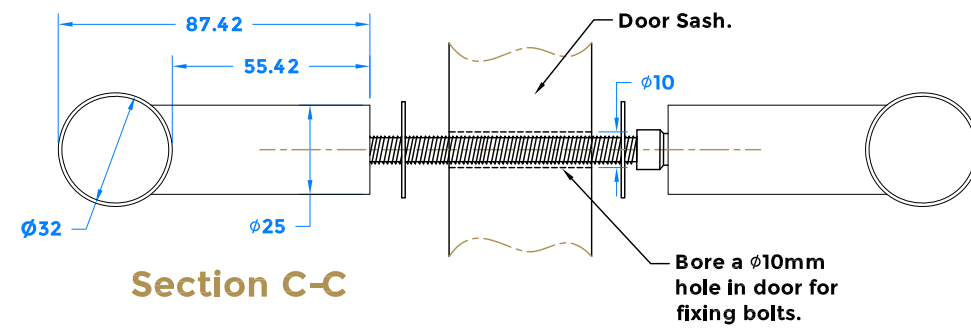
External Handle

Internal Handle

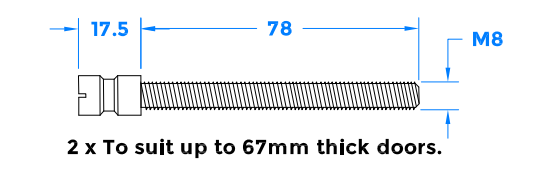
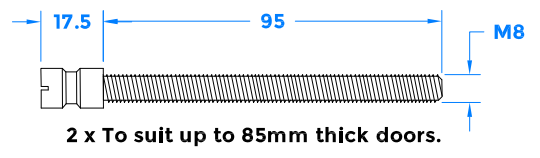


Section A-A

Section B-B



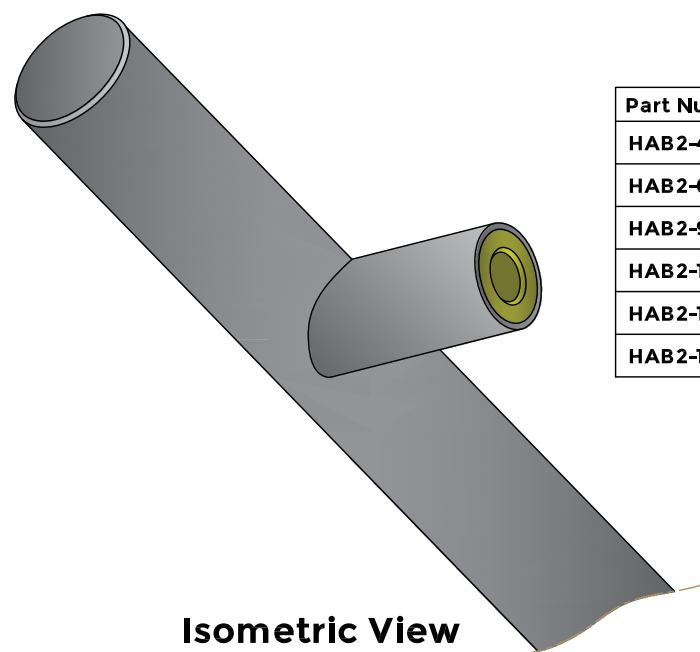
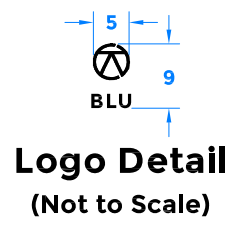
Section C-C



Stainless Steel Fixing Bolts

- 4 x Glass Protector Pads
Not Required on Timber Doors
- 4 x Metal Washers
- 1 x 3mm Allen Key

Side View



Isometric View

Part Number	Length (A)	Centre (B)	Distance (C)
HAB2-400-BB	400mm	300mm	50mm
HAB2-600-BB	600mm	400mm	100mm
HAB2-900-BB	900mm	700mm	100mm
HAB2-1200-BB	1200mm	1000mm	100mm
HAB2-1500-BB	1500mm	1300mm	100mm
HAB2-1800-BB	1800mm	1600mm	100mm

Please Note:
The transport fixings that are used are not 316 Stainless Steel and are they are for transportation means only, please discard these fittings and use the stainless steel bolts that are provided in the fixing packs when fixing to door.



coastal-group.com
Shaping the future

COASTAL

Part Number / Drawing Title:
HAB2 - Inline Round 'T' Bar Pull Handle - Back to Back Fix

Product Range:
Pull Handles

Material: 316 Stainless Steel

Additional Info:

Date Drawn: 08/09/2021
Drawn By: Phillip Walklett

Part Number: HAB2-BB
File Name: HAB2-BB.dwg

Revision: A

Drawing Scale: Not to Scale

Sheet Number: 1 of 1

THIRD ANGLE PROJECTION

This drawing and specification are the property of Coastal Specialist Ironmongery Ltd, they are issued in strict confidence and shall not be reproduced, copied or used without written permission.
EAOE - All dimensions are specified in mm.