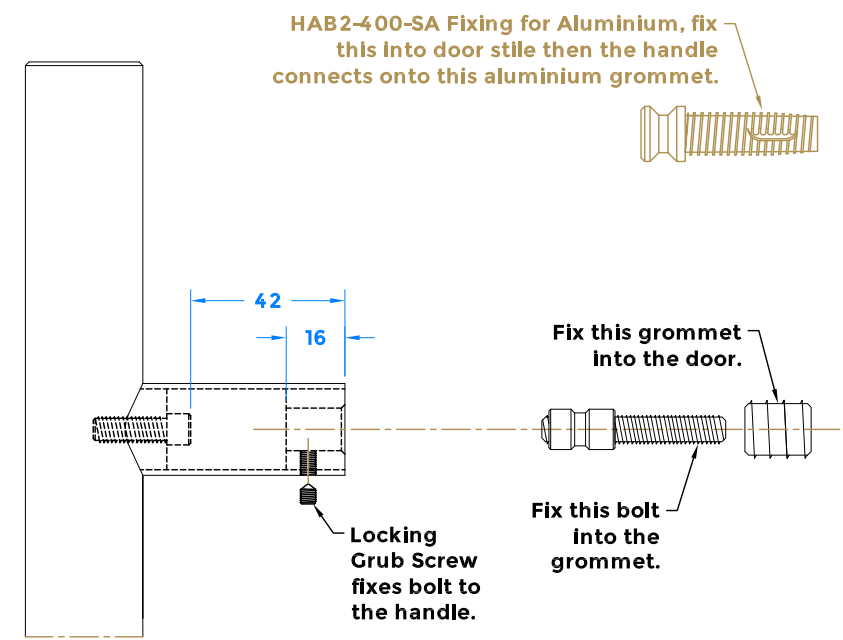
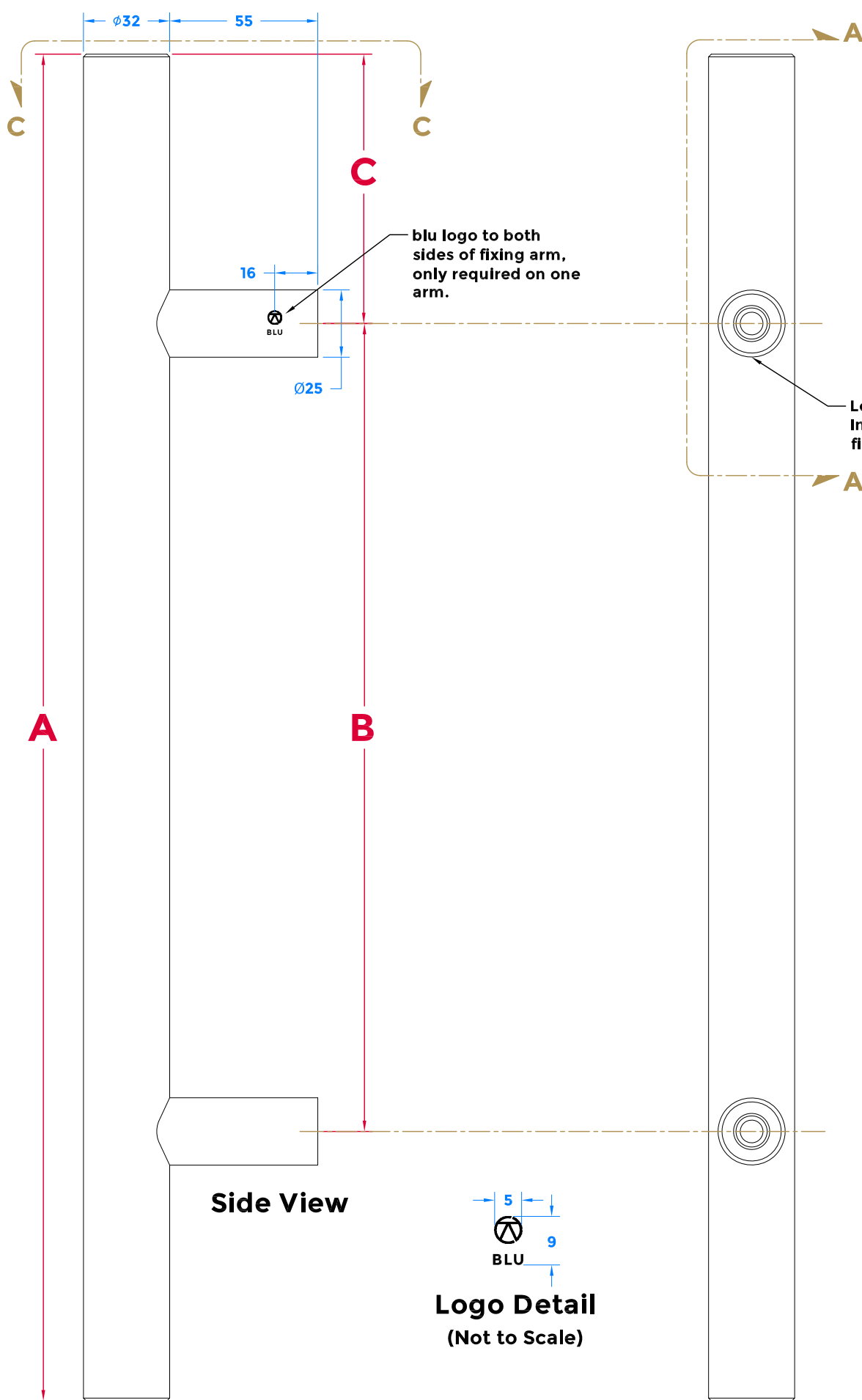
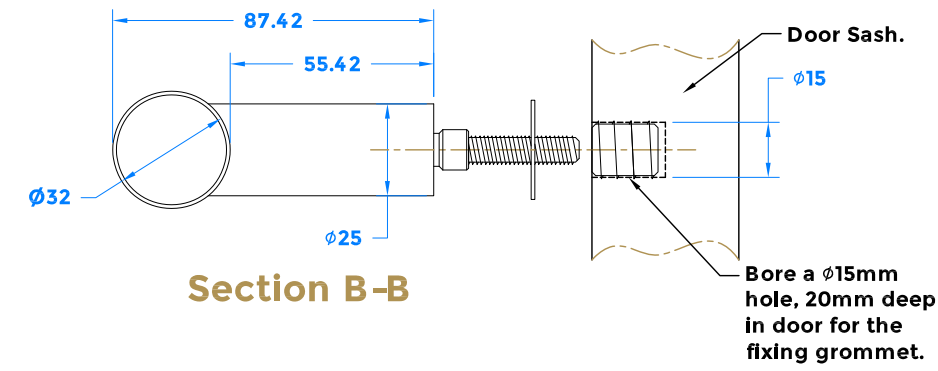


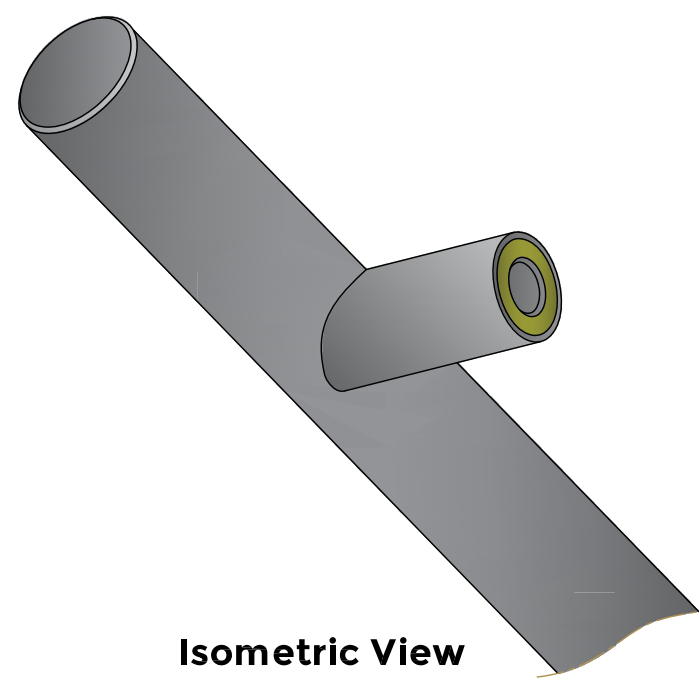
REVISION HISTORY		
Revision	Description	Date
A	Release	8/9/2021



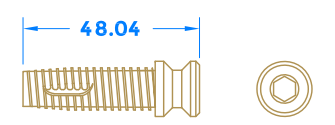
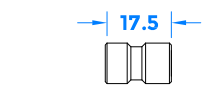
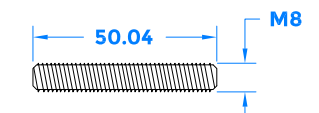
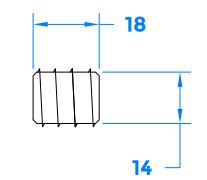
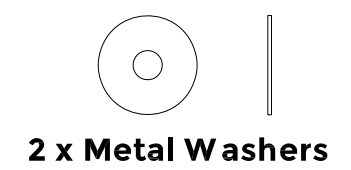
Section A-A



Section B-B



Isometric View



Part Number	Length (A)	Centre (B)	Distance (C)
*HAB2-400-SA	400mm	300mm	50mm
HAB2-600-SF	600mm	400mm	100mm
HAB2-900-SF	900mm	700mm	100mm
HAB2-1200-SF	1200mm	1000mm	100mm
HAB2-1500-SF	1500mm	1300mm	100mm
HAB2-1800-SF	1800mm	1600mm	100mm

***HAB2-400-SA - This has a special fixing designed for aluminium doors (FX-10030-BLU).**

coastal-group.com
Shaping the future

COASTAL

Part Number / Drawing Title:
HAB2 - Inline Round 'T' Bar Pull Handle - Secret Fix

Product Range:
Pull Handles

Material: 316 Stainless Steel

Additional Info: FX-10030 only available in HAB2-400-SA

Date Drawn: 08/09/2021

Drawn By: Philip Walklett

Part Number: HAB2-SF

File Name: HAB2-SF.dwg

Revision: A

Drawing Scale: Not to Scale

Sheet Number: 1 of 1

THIRD ANGLE PROJECTION

This drawing and specification are the property of Coastal Specialist Ironmongery Ltd, they are issued in strict confidence and shall not be reproduced, copied or used without written permission.
EAOE - All dimensions are specified in mm.