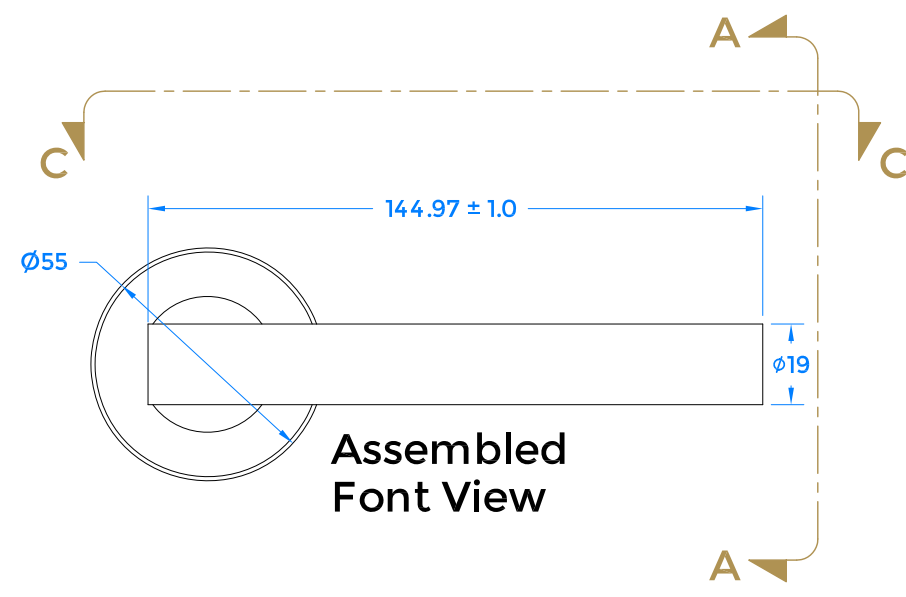
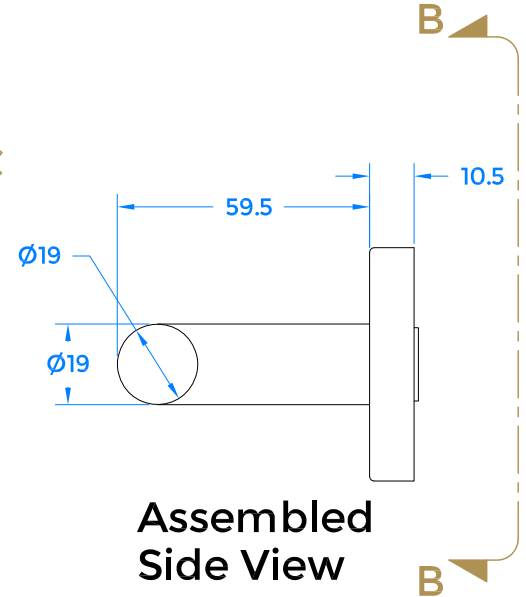


REVISION HISTORY		
Revision	Description	Date
A	Release	29/07/21

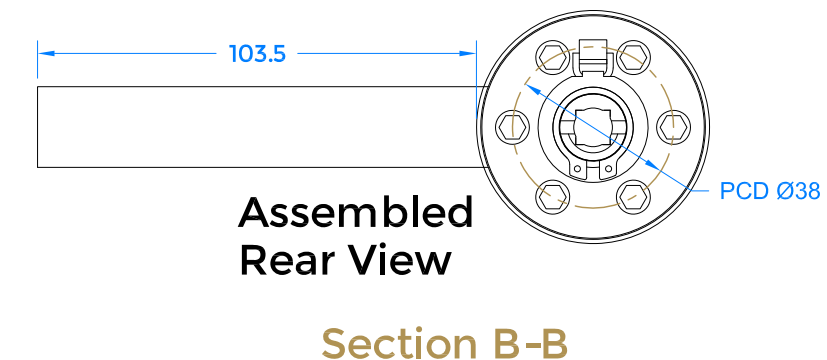


Assembled Front View



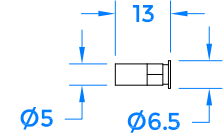
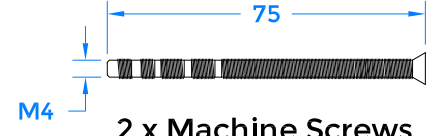
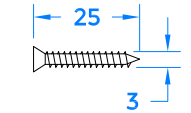

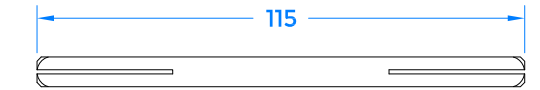
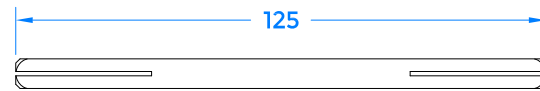
Assembled Side View

Section A-A

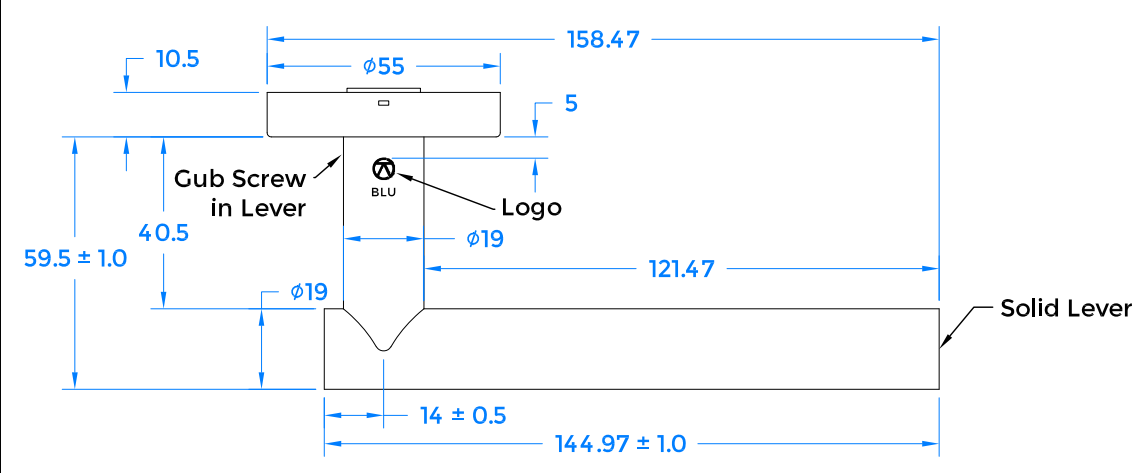


Assembled Rear View

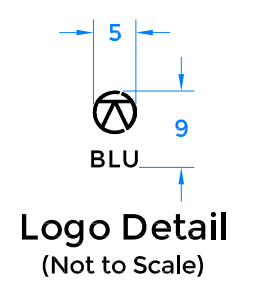
Section B-B

-  2 x Bolt Receiver Sleeve
-  2 x Machine Screws
-  12 x Wood Screws
-  1 x 2mm Allen Key
-  1 x 8 x 8 x 115mm Spindle
-  1 x 8 x 8 x 125mm Spindle

Assembled Top View

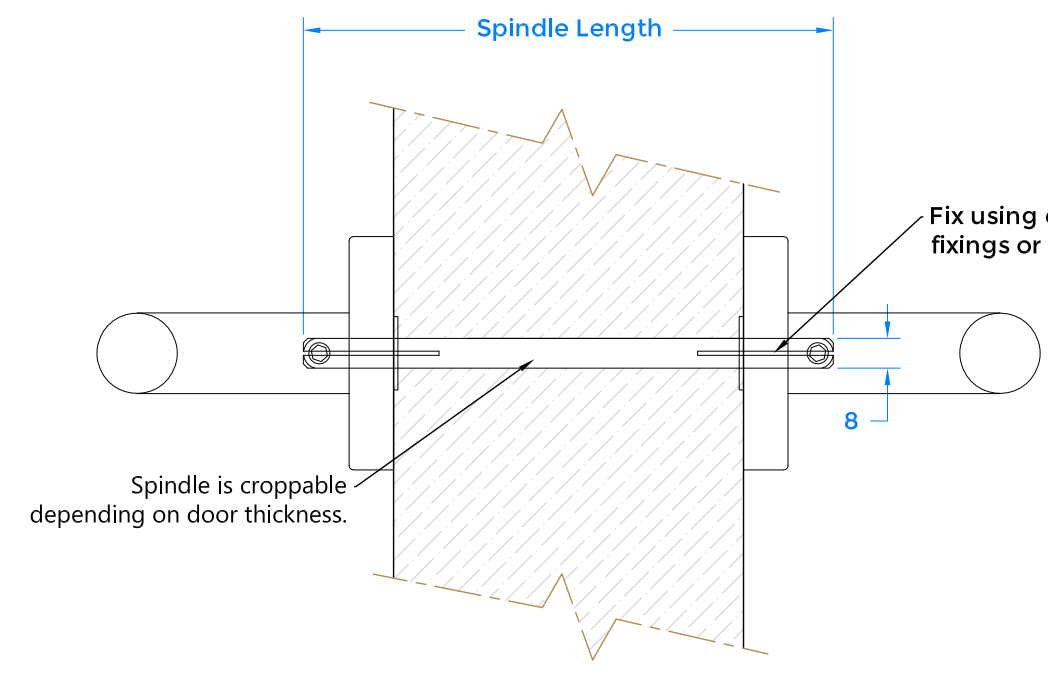
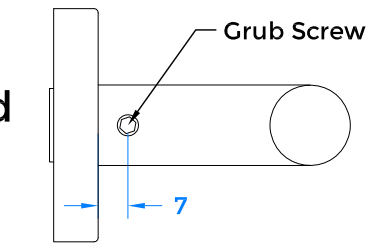


Section C-C



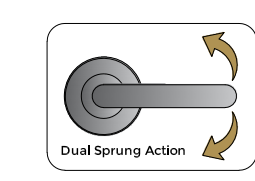
Logo Detail
(Not to Scale)

Assembled Side View



Spindle is croppable depending on door thickness.

Fix using either bolt through fixings or woodscrew fixings.





coastal-group.com
Shaping the future

COASTAL

Part Number / Drawing Title:
KM065C
T-Bar Lever on Round Rose

Product Range:
Door Handles

Material:	316 Stainless Steel
Additional Info:	Back to Back
Date Drawn:	29/07/2021
Drawn By:	Phillip Walklett
Part Number:	KM065C
File Name:	KM065C.dwg
Revision:	A
Drawing Scale:	Not to Scale
Sheet Number:	1 of 1

THIRD ANGLE PROJECTION

This drawing and specification are the property of Coastal Specialist Ironmongery Ltd, they are issued in strict confidence and shall not be reproduced, copied or used without written permission. E&OE - All dimensions are specified in mm.