

# STAINLESS STEEL STORMPROOF HINGE

Product Code: HX50B

LIT-DC-HX50B



## Window Hardware Range

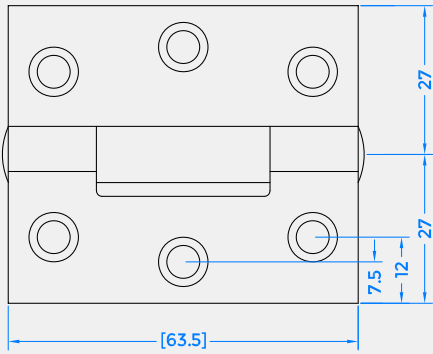
- High quality stainless steel butt type hinge for stormproof timber windows
- Manufactured from 316 Marine Grade Stainless Steel making it ideal for use where corrosion levels are high such as coastal environments and with acidic timber
- Tested to 108,000 cycles to 40KG over 2 hinges or 50KG over 3 hinges per sash
- HX50 includes a 0.5 - 1.0mm gap



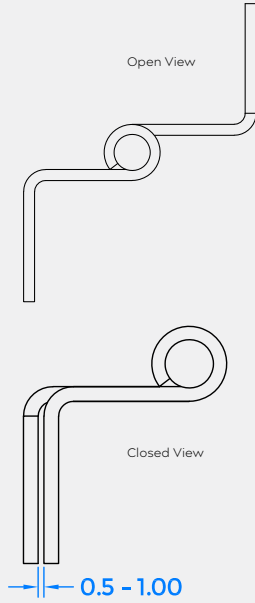
# COASTAL

*Shaping the future.*

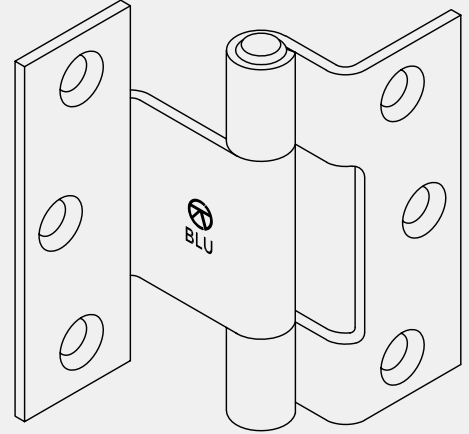
Front Profile



Side Profile



Isometric View



Visit [www.coastal-group.com](http://www.coastal-group.com) for CAD drawings

FINISHES:



SSS

Satin Stainless Steel

PART NUMBER	PRODUCT DESCRIPTION	FINISH	UNITS
HX50B-SSS	63mm Hinge - 0.5 - 1mm gap	SSS	Each



**COASTAL**

*Shaping the future.*