

STAINLESS STEEL STORMPROOF HINGE

Product Code: HX60B

LIT-DC-HX60B



Window Hardware Range

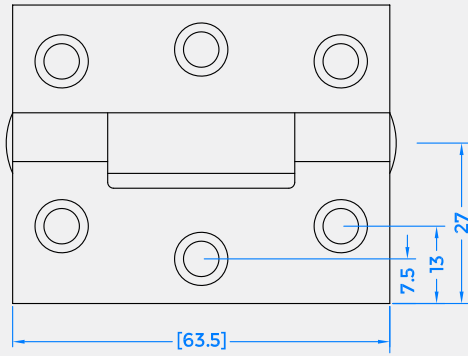
- High quality stainless steel butt type hinge for stormproof timber windows
- Manufactured from 316 Marine Grade Stainless Steel making it ideal for use where corrosion levels are high such as coastal environments and with acidic timber
- Tested to 108,000 cycles to 40KG over 2 hinges or 50KG over 3 hinges per sash
- HX60 includes a 6.0 - 6.5mm gap



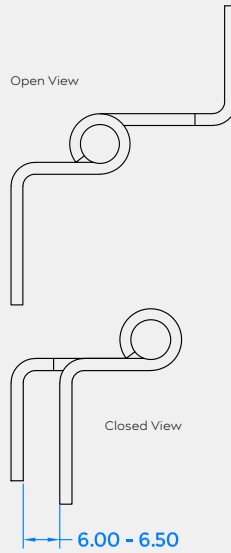
COASTAL

Shaping the future.

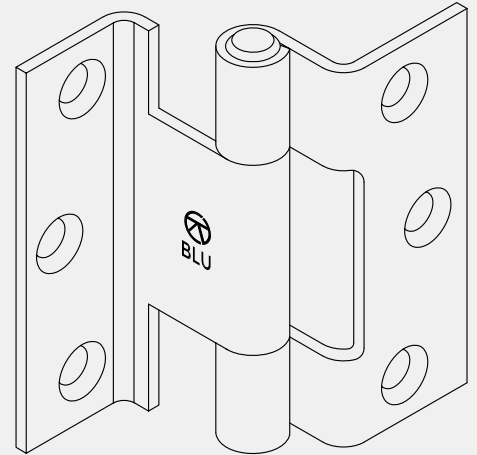
Front Profile



Side Profile



Isometric View



Visit www.coastal-group.com for CAD drawings

FINISHES:



SSS

Satin Stainless Steel

PART NUMBER	PRODUCT DESCRIPTION	FINISH	UNITS
HX60B-SSS	63mm Hinge - 6 - 6.5mm gap	SSS	Each



COASTAL

Shaping the future.