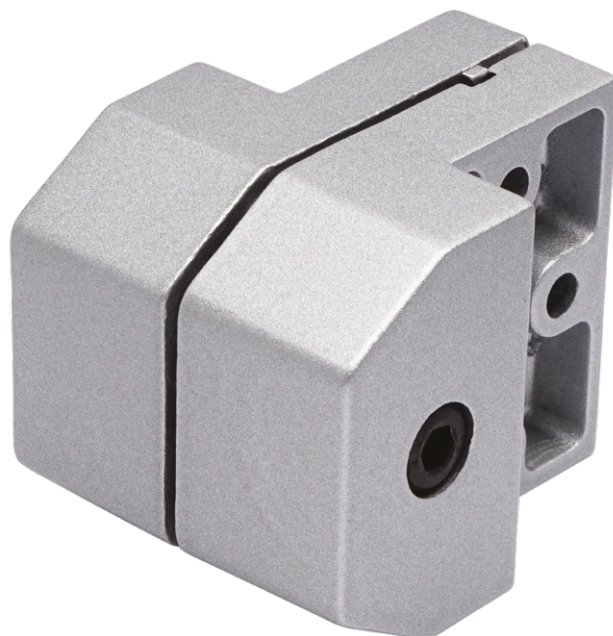


MORTICE PIVOT SET

Product Code: PV12036

LIT-DC-PV12036



Window Hardware Range

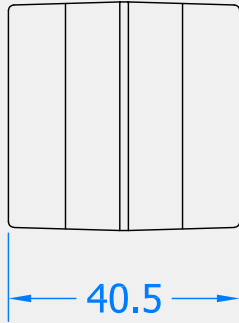
- Mortice Pivot set precision made in Germany for use on round or conventional timber windows
- Adjustable friction



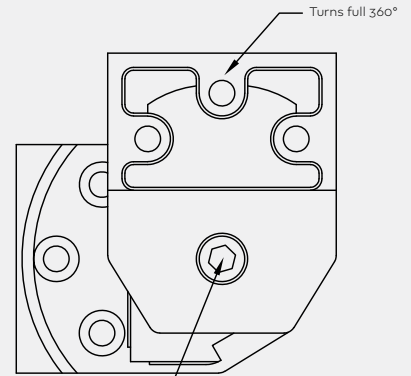
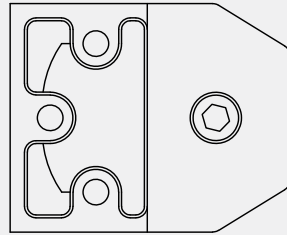
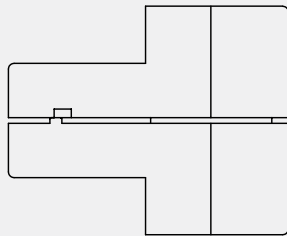
COASTAL

Shaping the future.

Front Profile



Top Profile



Visit www.coastal-group.com for CAD drawings

FINISHES:



SG

Silver Grey

PART NUMBER	PRODUCT DESCRIPTION	FINISH	UNITS
PV12036-SG	Mortice pivot set - 40kg	SG	Pair



COASTAL

Shaping the future.