

SASH RUN UP BLOCK

Product Code: RUB12

LIT-DC-RUB12



Window Hardware Range

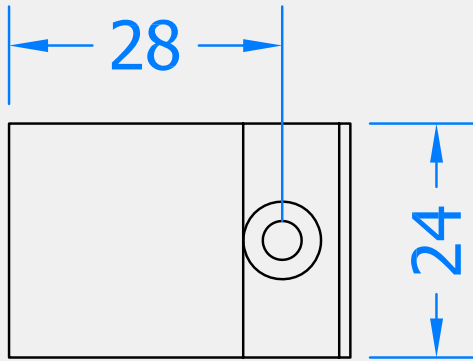
- Sash run up blocks are screwed into the frame with the slope facing the opening light or sash
- If fitted to the base or sides of the window frame the run up blocks help with vertical alignment of the sash upon closing the stormproof window
- When fitted to the top or head of the frame the run up blocks act as an anti-lift block for increased security



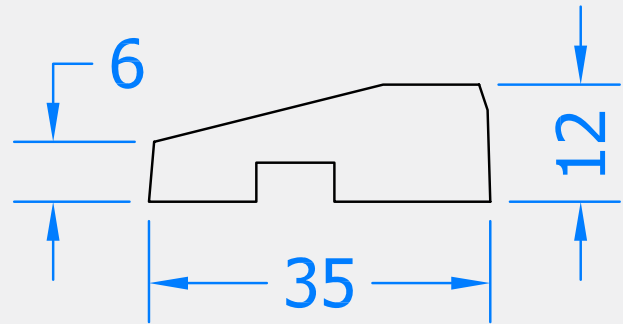
COASTAL

Shaping the future.

Top Profile



Side Profile



Visit www.coastal-group.com for CAD drawings

FINISHES:



WH
 White



BR
 Brown

PART NUMBER	PRODUCT DESCRIPTION	FINISH	UNITS
RUB12-WH	12mm Run up block	WH	Each
RUB12-BR	12mm Run up block	BR	Each



COASTAL

Shaping the future.