

SPRUNG RUN UP SASH LIFTER

Product Code: RUB18

LIT-DC-RUB18



Window Hardware Range

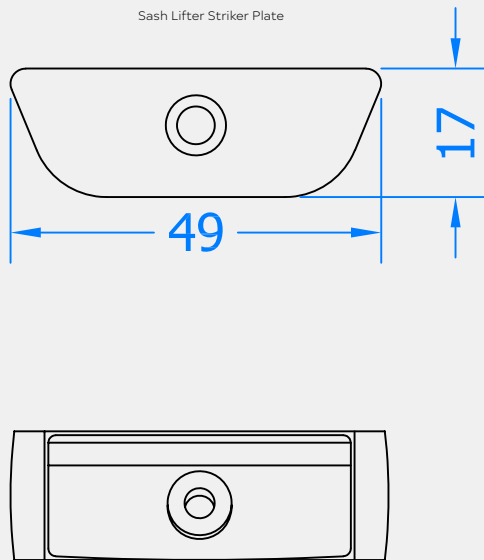
- Sprung run up sash lifter set is used on stormproof windows to lift the sash by up to 6mm when closed
- Particularly required on heavy windows
- Optimises the air gap in the closed or locked position
- Ideal for use on Tilt and Turn windows
- Set consists of frame part and sash lifter



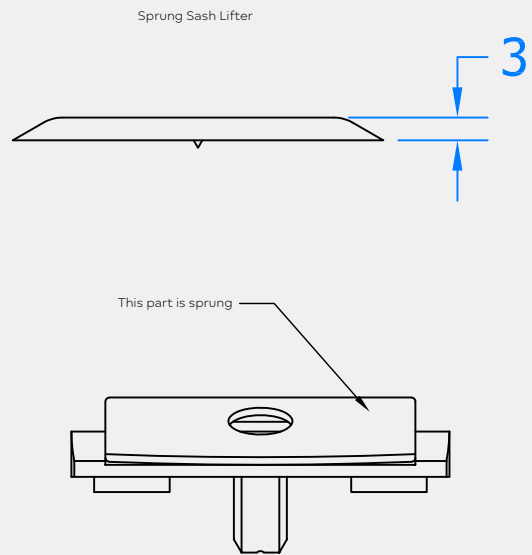
COASTAL

Shaping the future.

Front Profile



Side Profile



Visit www.coastal-group.com for CAD drawings

FINISHES:



BK

Black

PART NUMBER	PRODUCT DESCRIPTION	FINISH	UNITS
RUB18-BK	Sprung run up sash lifter	BK	Per Set



COASTAL

Shaping the future.