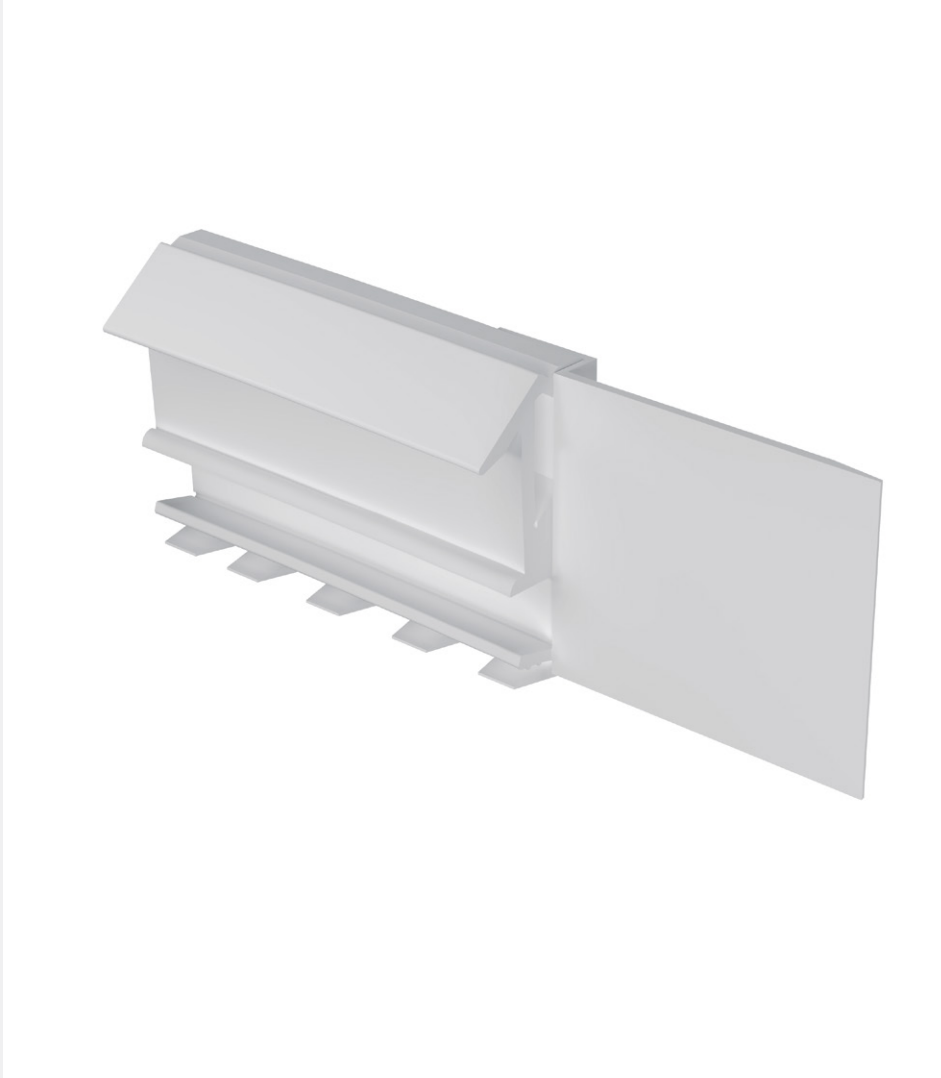


DEVENTER RANGE

DEVENTER VESU SEALING TAB FOR STORMPROOF PRODUCTS

Product Code: SP-VESU

LIT-DC-SP-VESU



Deventer Weatherséal Range

- Deventer VESU sealing tab solves the problem of 'pinprick' holes at the top and bottom of pairs of Stormproof and Tilt & Turn windows
- Inserts smoothly into 4-5mm groove along with the weatherséal
- No adhesive tape is required to hold the tab
- Suitable for wind test Class C4/1600 Pa and water test Class A9/600 Pa
- Made from high quality TPE material

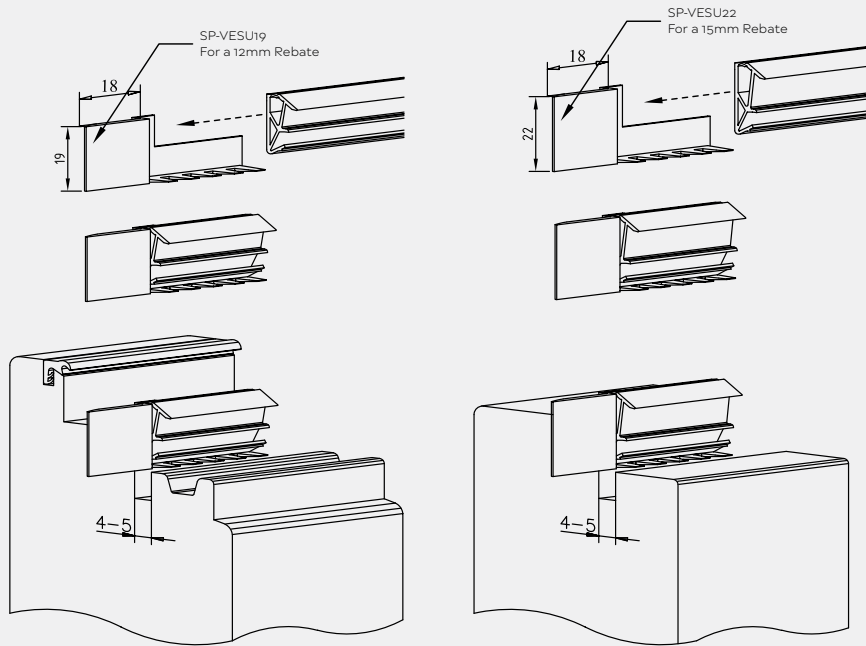


COASTAL

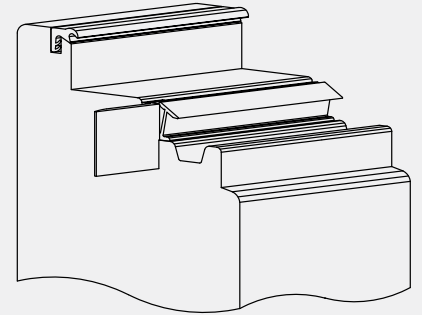
Shaping the future.

DEVENTER VESU SEALING TAB FOR STORMPROOF PRODUCTS

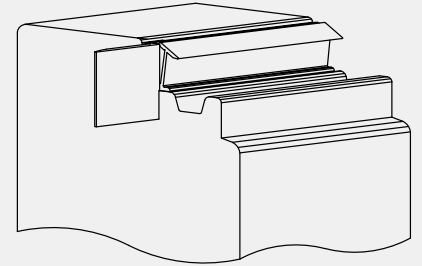
Assembled View



SP-VESU19



SP-VESU22



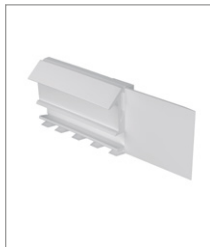
Visit www.coastal-group.com for CAD drawings

FINISHES:



BK

Black



WH

White

PART NUMBER	PRODUCT DESCRIPTION	FINISH	UNITS
SP-VESU19-BK	4 - 5mm groove, 12mm rebate	BK	Pair
SP-VESU19-WH	4 - 5mm groove, 12mm rebate	WH	Pair
SP-VESU22-BK	4 - 5mm groove, 15mm rebate	BK	Pair



COASTAL

Shaping the future.