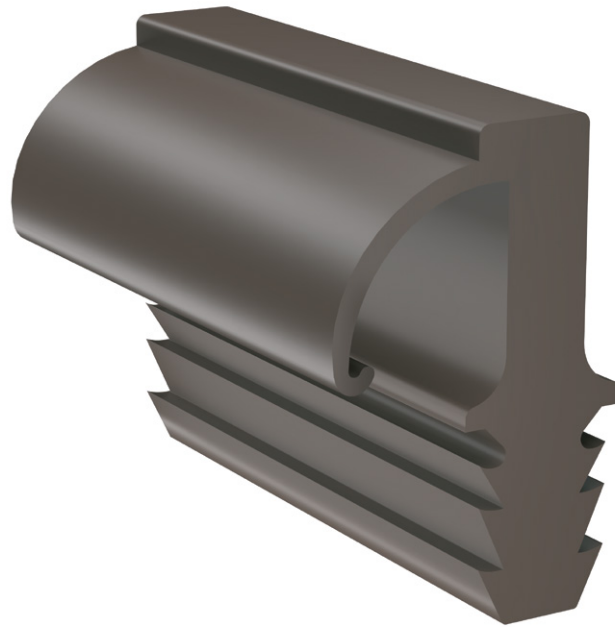


OPEN FLIPPER WATER BAR

Product Code: T647

LIT-DC-T647

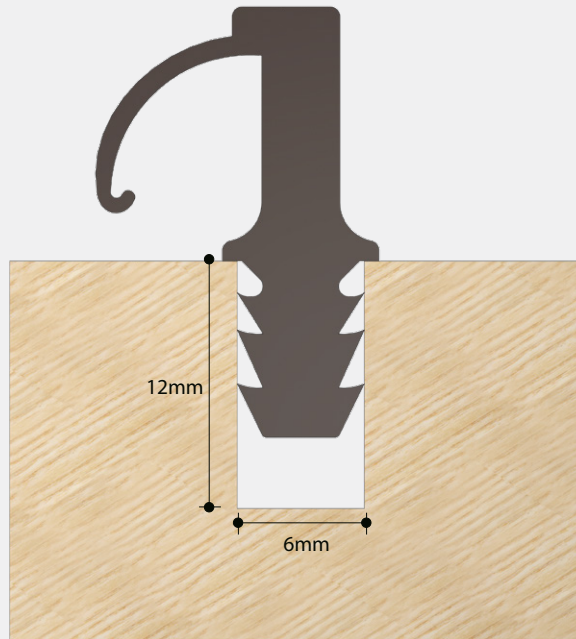


- The T647 is an open flipper water bar seal
- Designed to prevent the ingress of rainwater under exterior doors
- Typically used in the sill of open-in doors



COASTAL

Shaping the future.



Visit www.coastal-group.com for CAD drawings

FINISHES:



BR
Brown

PART NUMBER	PRODUCT DESCRIPTION	FINISH	UNITS
T647-BR	Water Bar, 9 x 6mm groove	BR	2.4m



COASTAL

Shaping the future.