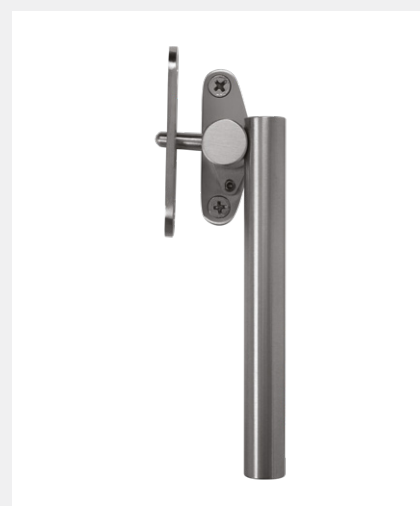


CASEMENT WINDOW FASTENER

Product Code: SST79

LIT-DC-SST79



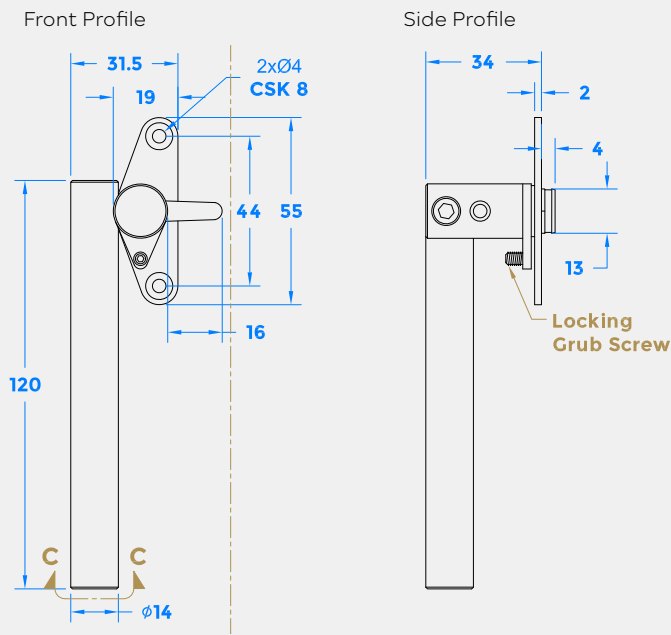
Window Hardware Range

- Contemporary design stainless steel casement window fastener
- Supplied with night vent mortice keep plate suitable for 5mm weatherseal compression gap
- Lockable for increased security
- Manufactured from 316 Grade Stainless Steel
- Spare hook and mortice keep plates available for use on rebated pairs of sashes and inward opening sashes



COASTAL

Shaping the future.



Visit www.coastal-group.com for CAD drawings

FINISHES:



SSS
 Satin Stainless Steel

PART NUMBER	PRODUCT DESCRIPTION	FINISH	UNITS
SST79B-LH-M-SSS	Casement window fastener - left hand	SSS	Each
SST79B-RH-M-SSS	Casement window fastener - right hand	SSS	Each



COASTAL

Shaping the future.