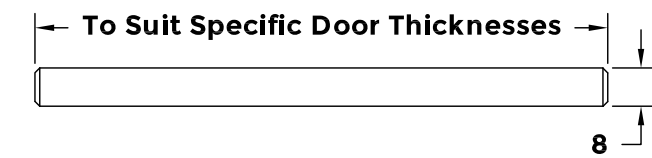
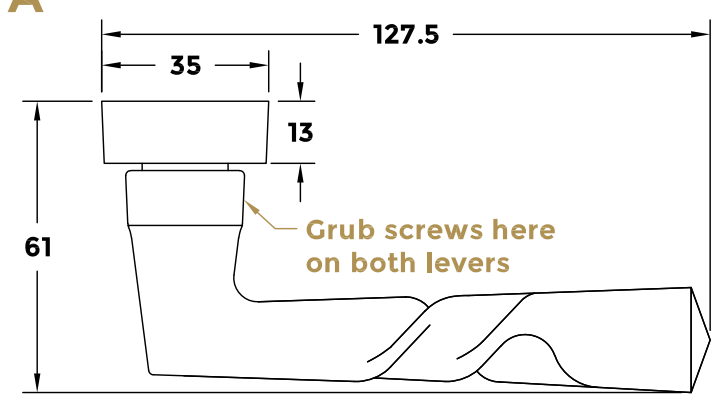
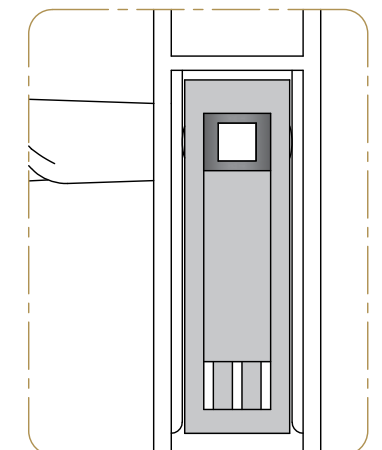
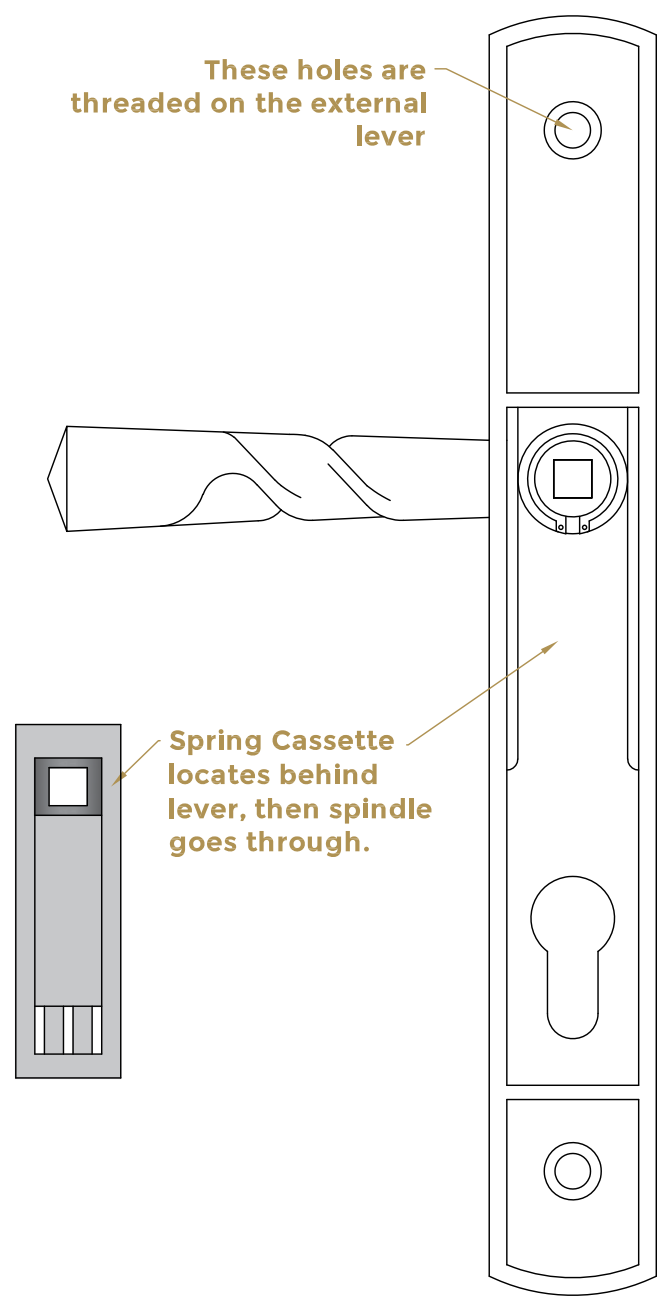
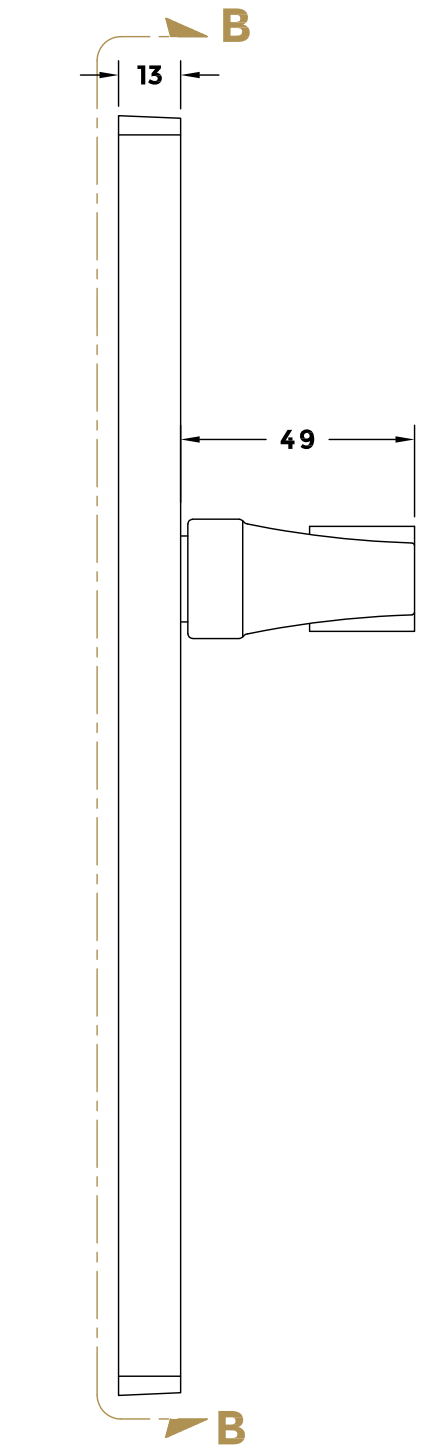
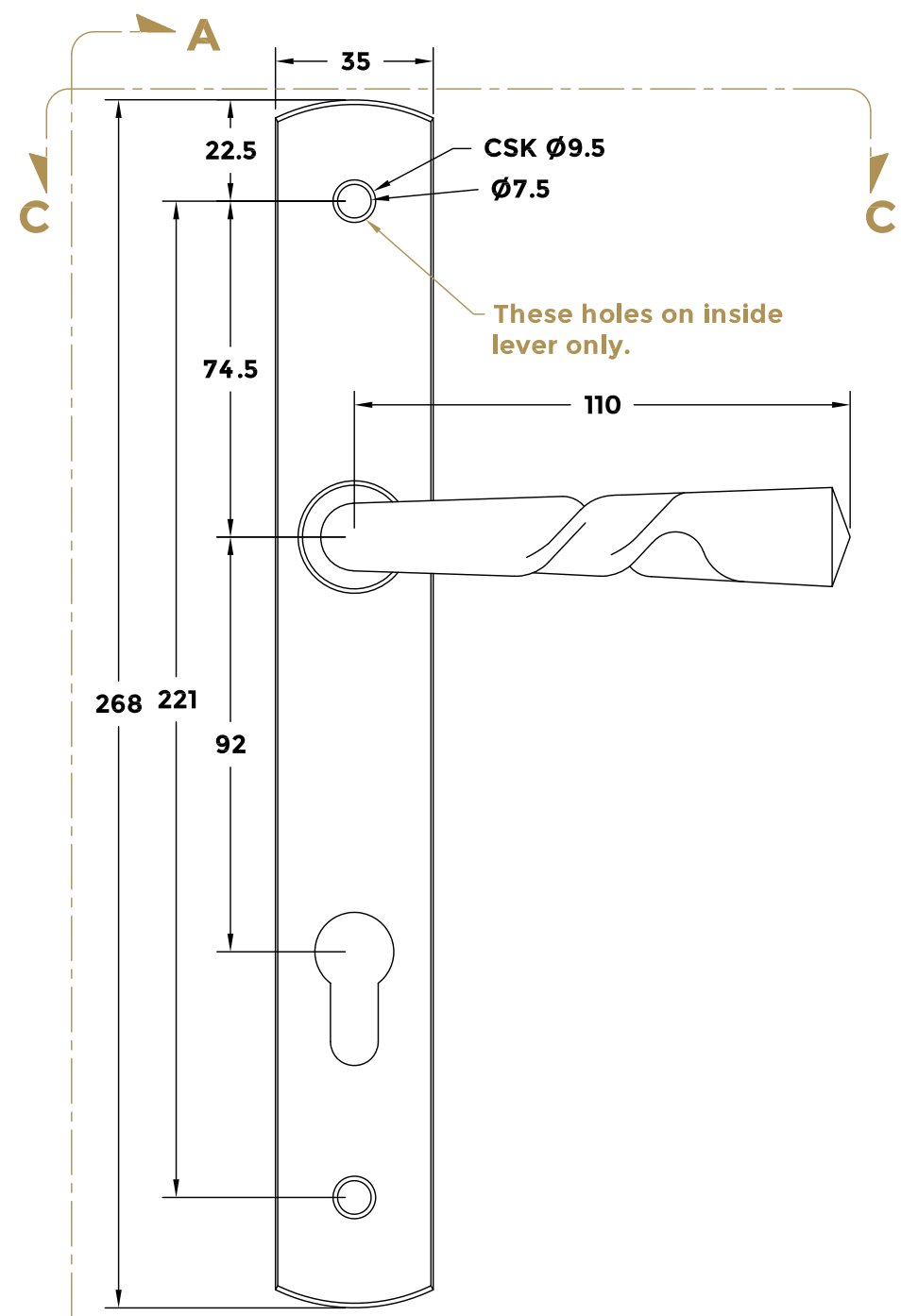


Drawing Revision History		
Revision	Description / Change	Date
A	Release	11/10/2021

Inside lever shown



COASTAL coastal-group.com
Shaping the future.

Part Number / Drawing Title:
CO7100C
DuraTique Barley Twist Handle

Product Range:
Door Handles

Material: 304 Stainless Steel

Additional Info: Dual Sprung Mechanism

Date Drawn: 11/10/2021

Drawn By: Phillip Walklett

Part Number: CO7100C

File Name: CO7100C.dwg

Revision: A

Drawing Scale: Not to Scale

Sheet Number: 1 of 1

THIRD ANGLE PROJECTION

This drawing and specification are the property of Coastal Specialist Ironmongery Ltd, they are issued in strict confidence and shall not be reproduced, copied or used without written permission.
EAOE - All dimensions are specified in mm.