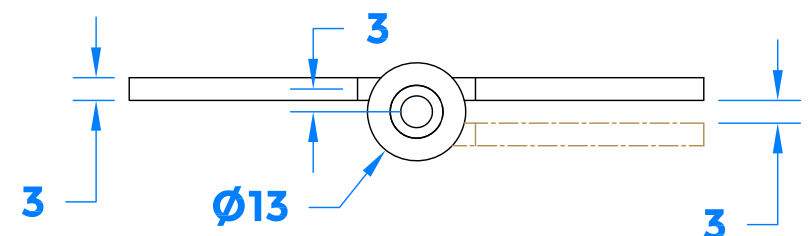
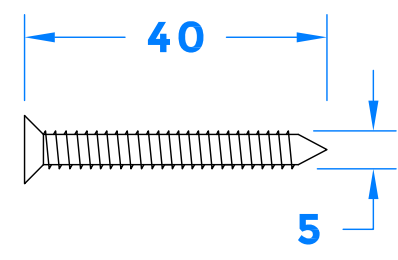


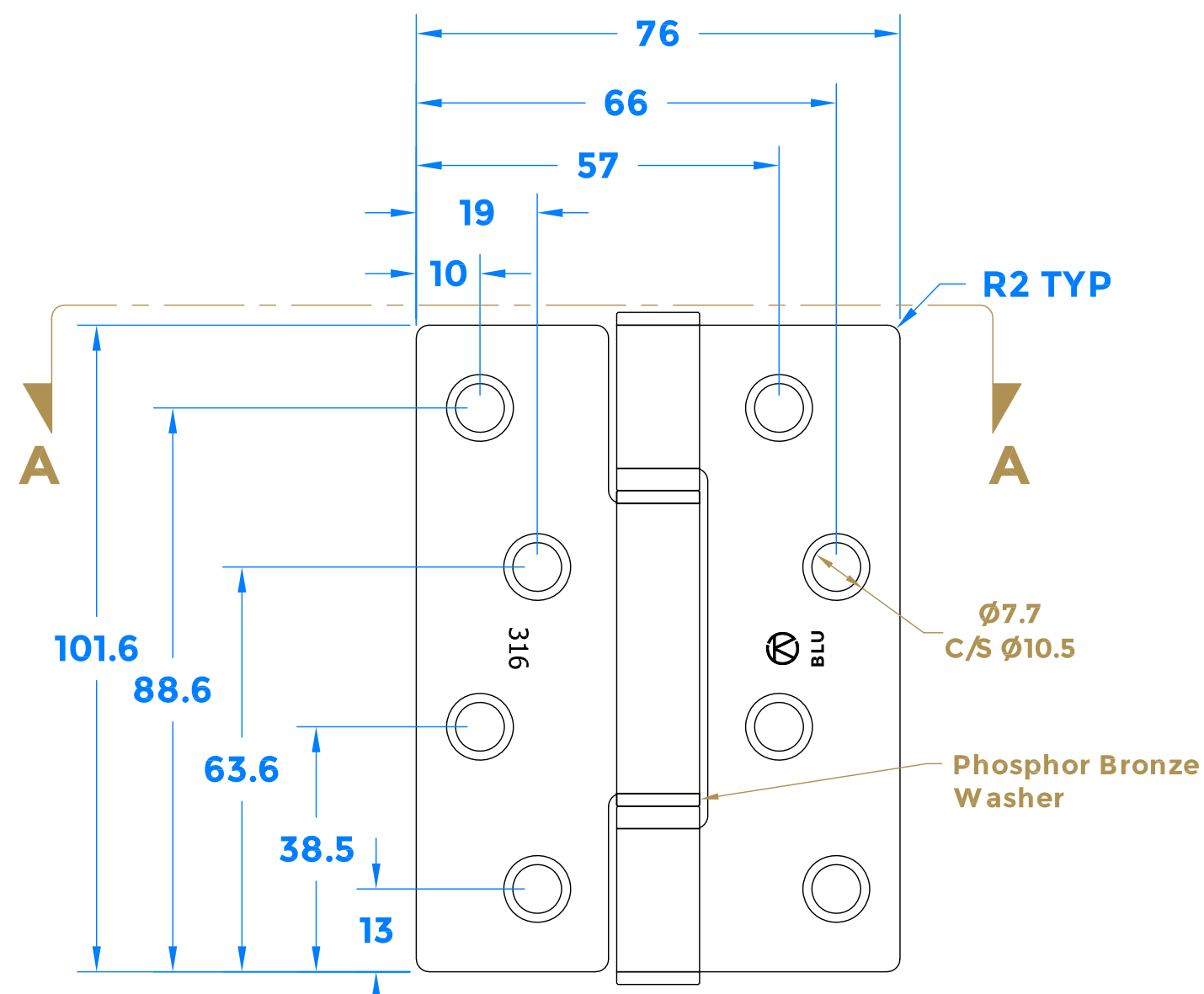
REVISION HISTORY		
Revision	Description	Date
A	Release	19/08/2021
B	Screw Length Change 30mm to 40mm	06/10/23



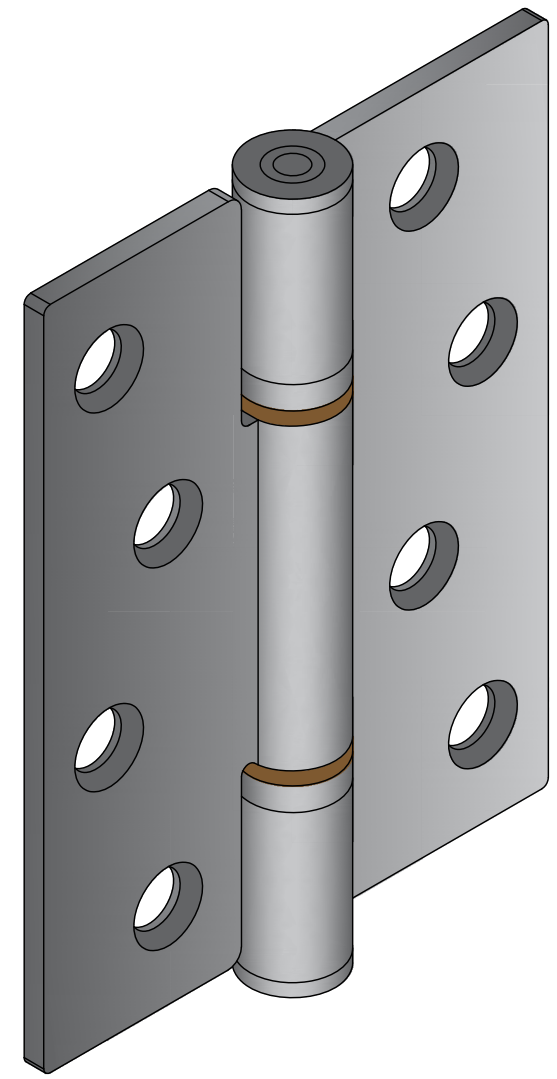
Section A-A
Top View



8 x Wood Screws



Front View



coastal-group.com
Shaping the future

COASTAL

Part Number / Drawing Title:
HQ4 Square Corner Butt Hinge

Product Range:
Hinges & Pivots

Material: 316 Stainless Steel

Additional Info:

Date Drawn: 19/08/2021
Drawn By: Phillip Walklett

Part Number: HQ4
File Name: HQ4.dwg

Revision: B

Drawing Scale: 1:1 @ A3
Sheet Number: 1 of 1

THIRD ANGLE PROJECTION

This drawing and specification are the property of Coastal Specialist Ironmongery Ltd, they are issued in strict confidence and shall not be reproduced, copied or used without written permission.
EAOE - All dimensions are specified in mm.