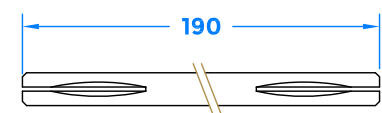
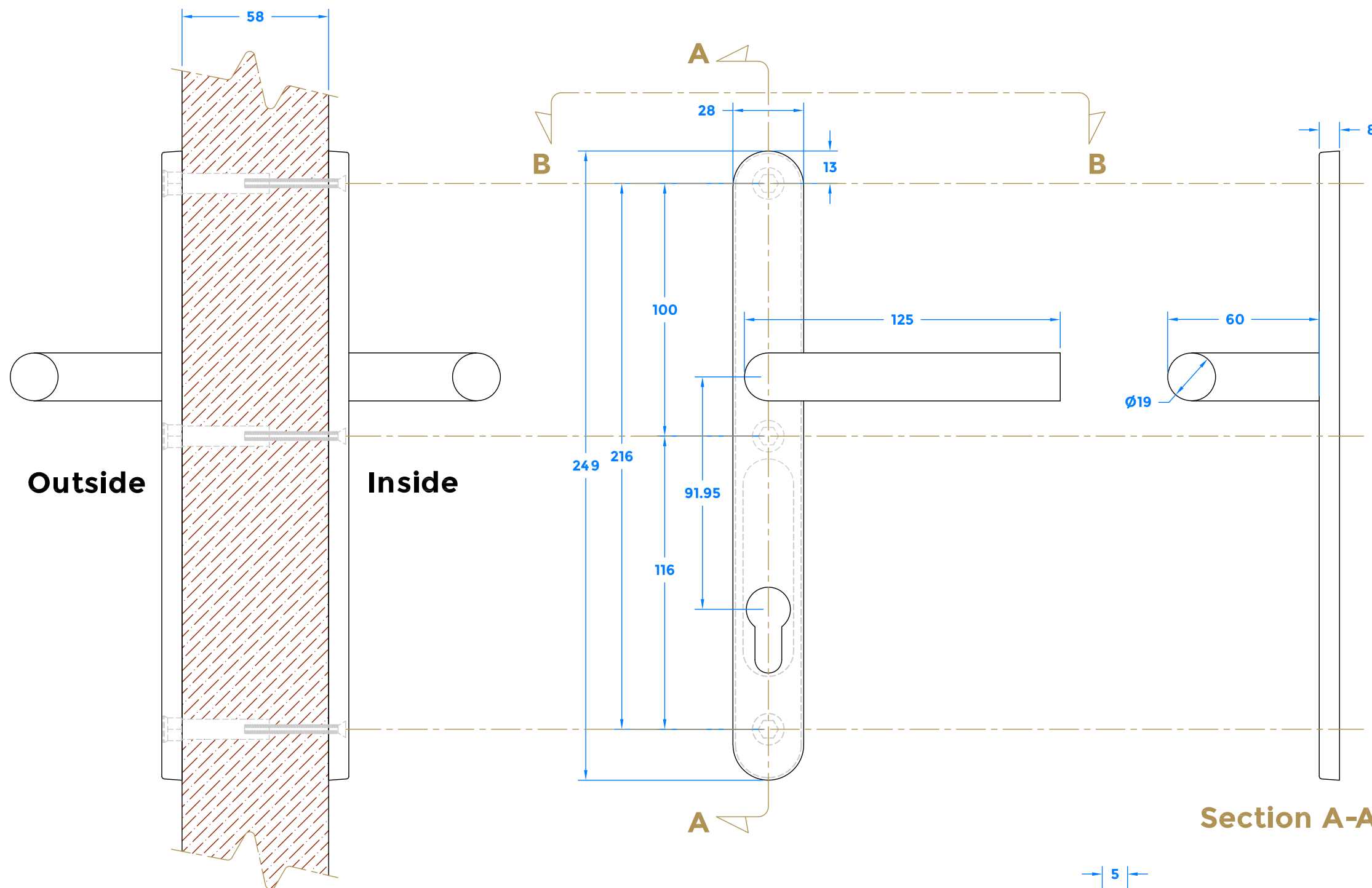
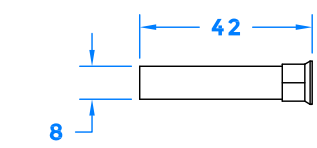


Drawing Revision History		
Revision	Description /Change	Date
A	Release	14/11/17



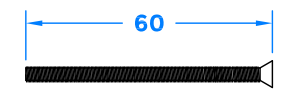
8x8x190 Spindle



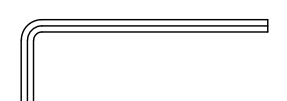
Bolt Receiver Sleeve



40mm Bolts
Suits Doors up to 60mm Thick



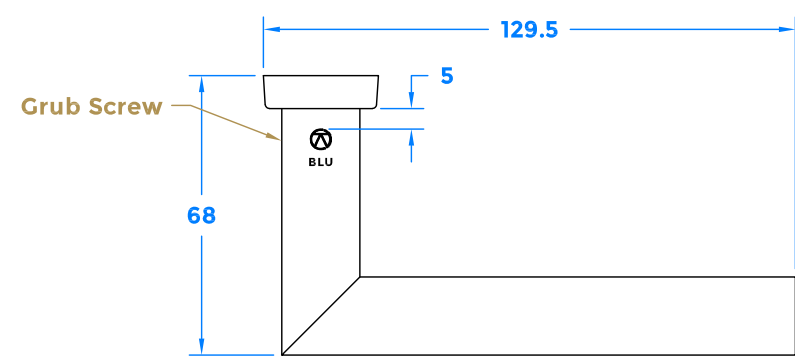
60mm Bolts
Suits Doors up to 80mm Thick



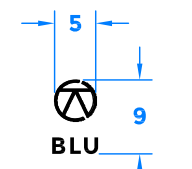
3mm Allen Key

Section A-A

Assembled View



Section B-B



Logo Detail
(Not to Scale)



coastal-group.com
Shaping the future.

COASTAL

Part Number /Drawing Title:
KM070
BLU Mitre Lever Door Handle

Product Range:
Door Handles

Material: 316 Stainless Steel

Additional Info: Unsprung

Date Drawn: 11/10/2021

Drawn By: Philip Walklett

Part Number: KM070

File Name: KM070.dwg

Revision: A

Drawing Scale: Not to Scale

Sheet Number: 1 of 1

THIRD ANGLE PROJECTION 

This drawing and specification are the property of Coastal Specialist Ironmongery Ltd, they are issued in strict confidence and shall not be reproduced, copied or used without written permission.
EAOE - All dimensions are specified in mm.