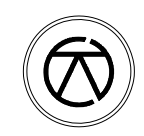
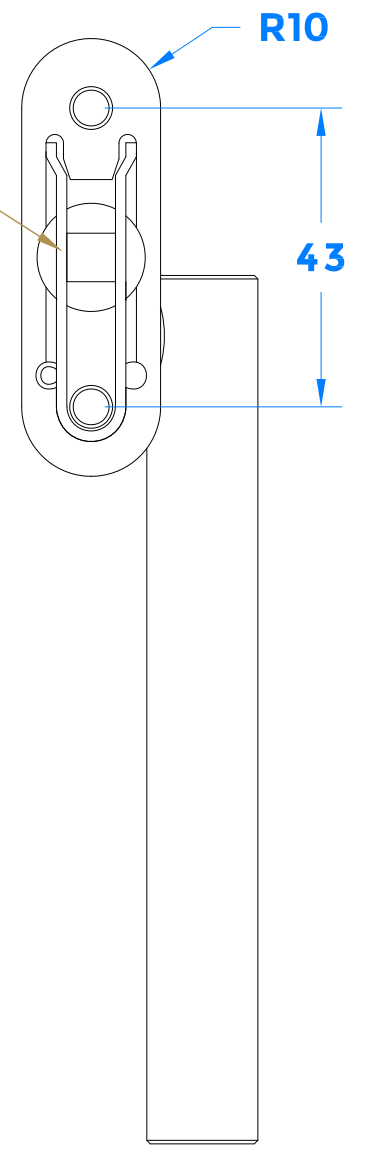
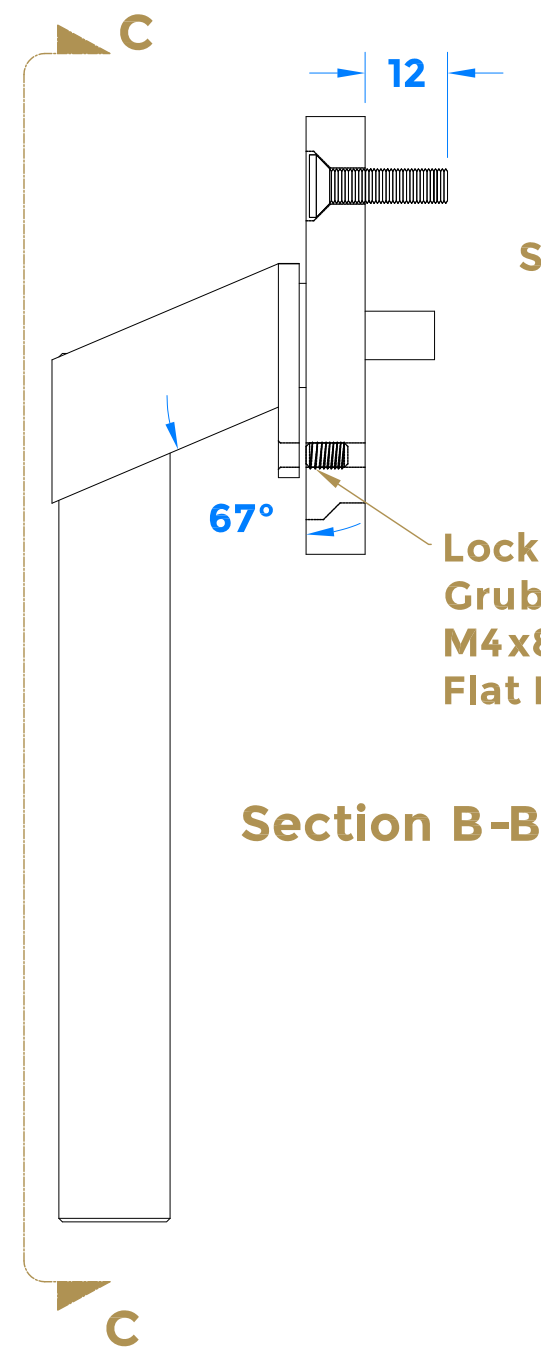
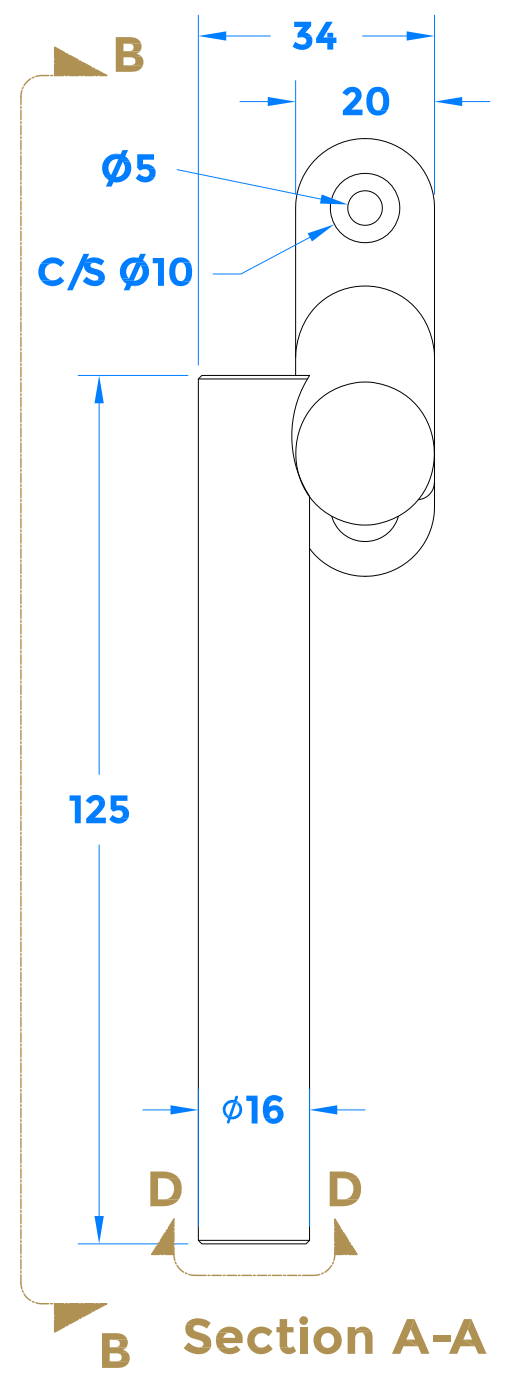
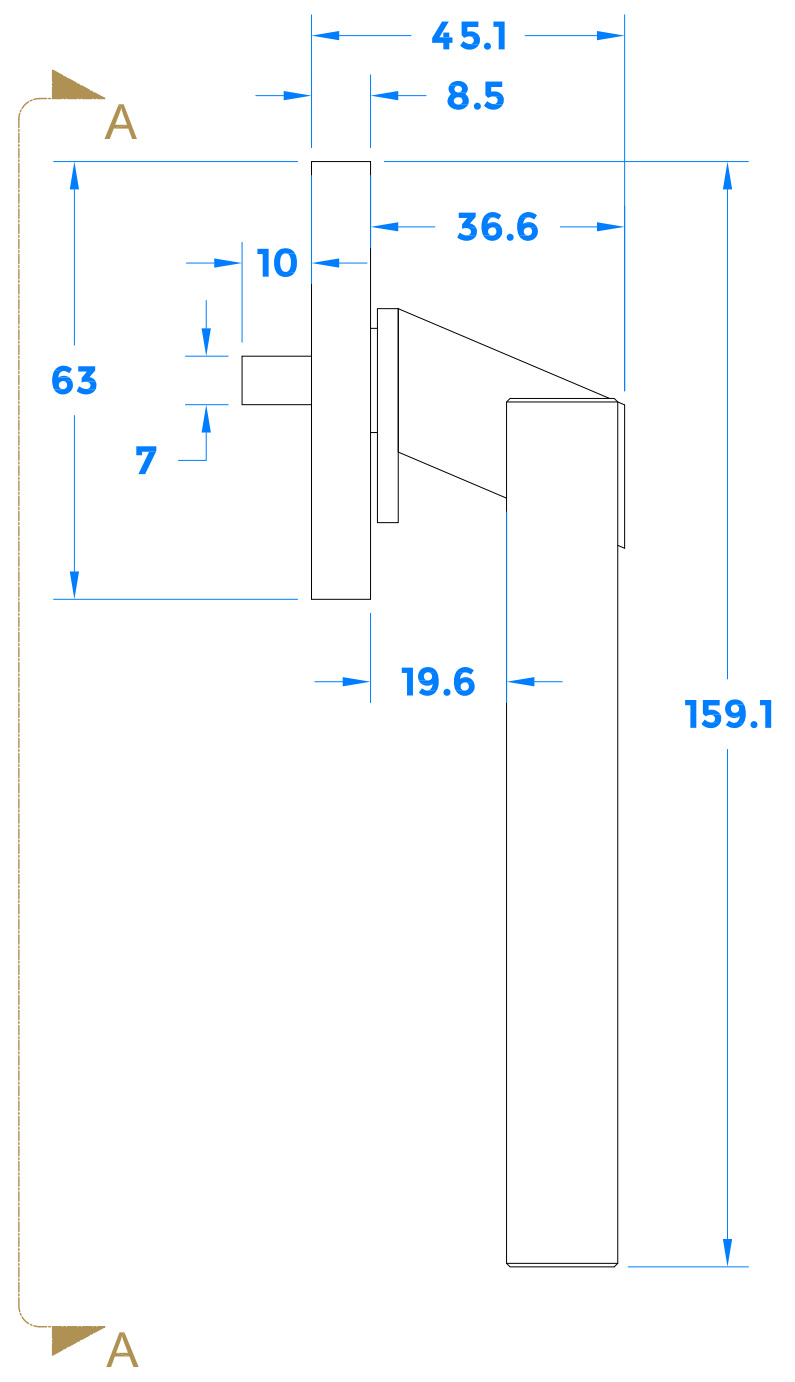
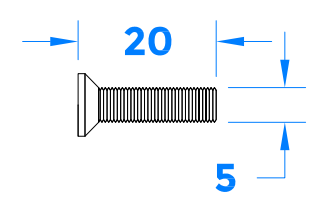


Left Hand Handle Shown, Right Hand Handle Opposite.

Drawing Revision History		
Revision	Description / Change	Date
A	Release	29/10/2021



Section D-D



M5 x 20



**CX-490
1 x 2mm Grub Key Long Ball Point
Allen Key**

Section C-C

 COASTAL		coastal-group.com <i>Shaping the future.</i>
Part Number / Drawing Title: SST87-10-LH Offset Window Espag Handle		
Product Range: Window Handles		
Material: 316 Stainless Steel		
Additional Info: Left Hand Shown, Right Hand Opposite		
Date Drawn: 29/10/2021		
Drawn By: Phillip Walklett		
Part Number: SST87-10-LH		
File Name: SST87-10-LH.dwg		
Revision: A		
Drawing Scale: Not to Scale		
Sheet Number: 1 of 1		
	This drawing and specification are the property of Coastal Specialist Ironmongery Ltd, they are issued in strict confidence and shall not be reproduced, copied or used without written permission. EAOE - All dimensions are specified in mm.	