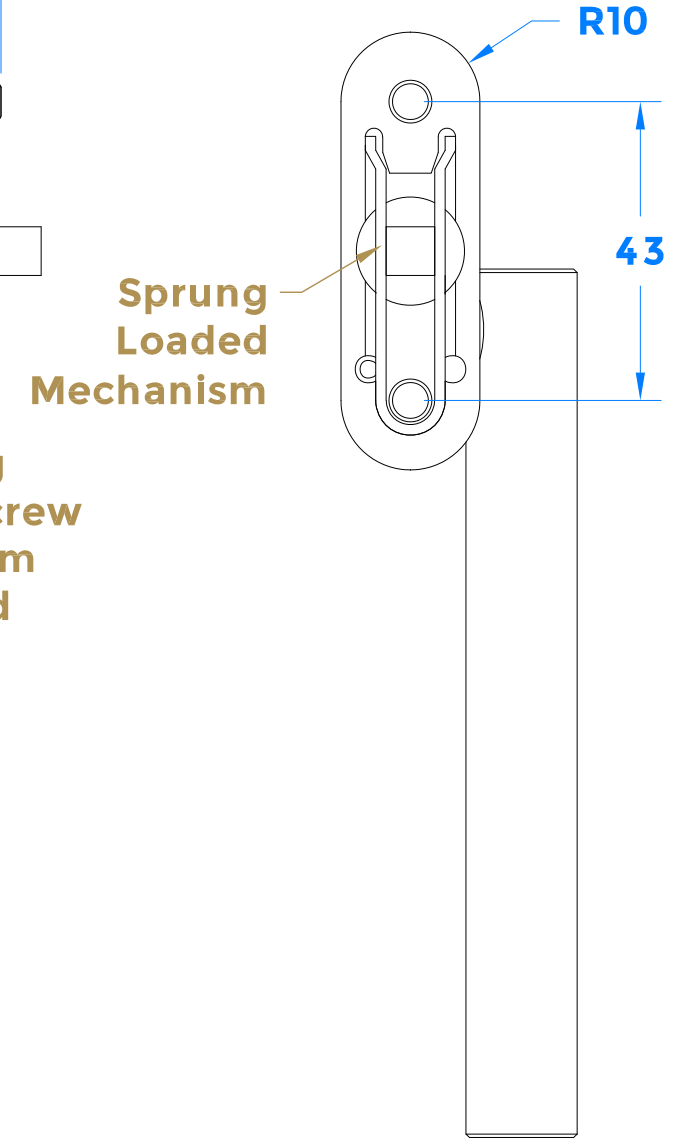
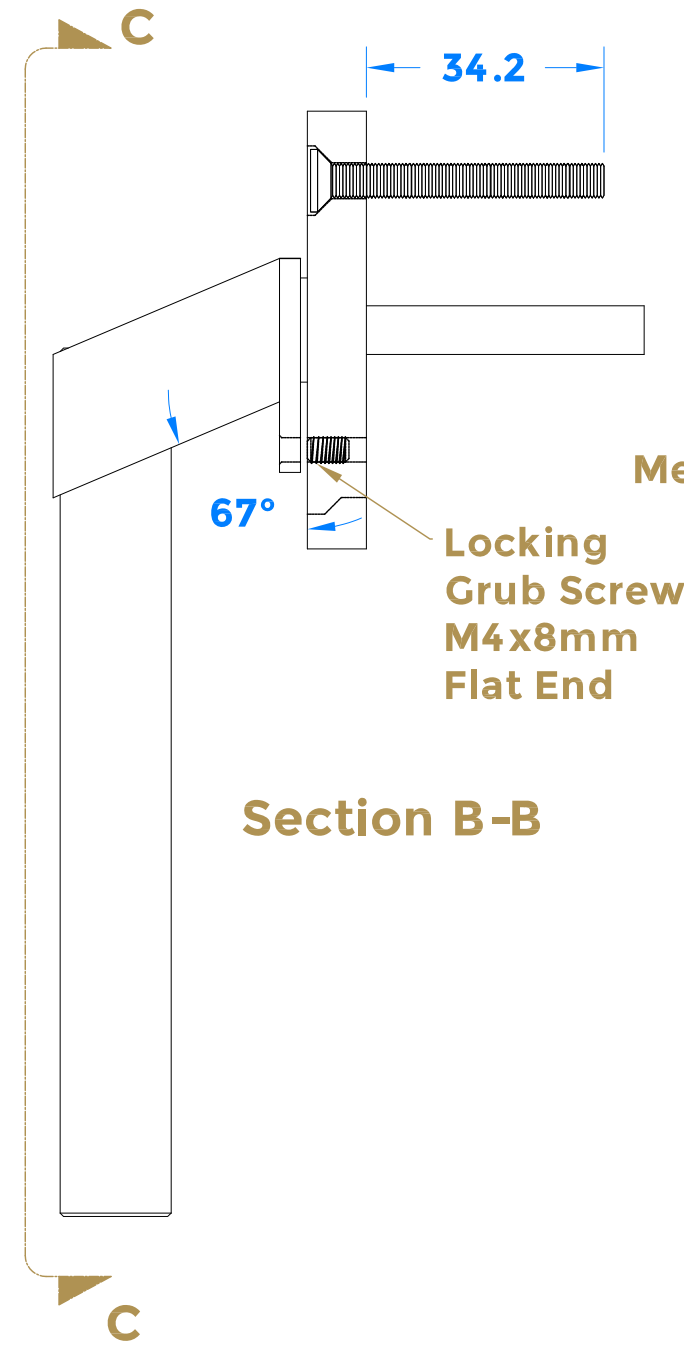
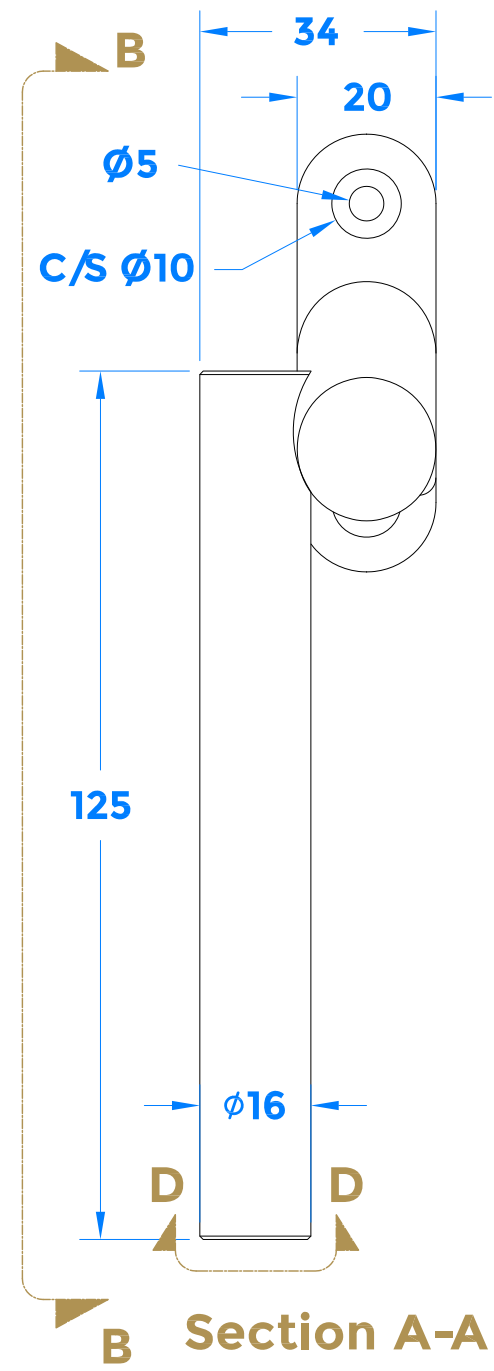
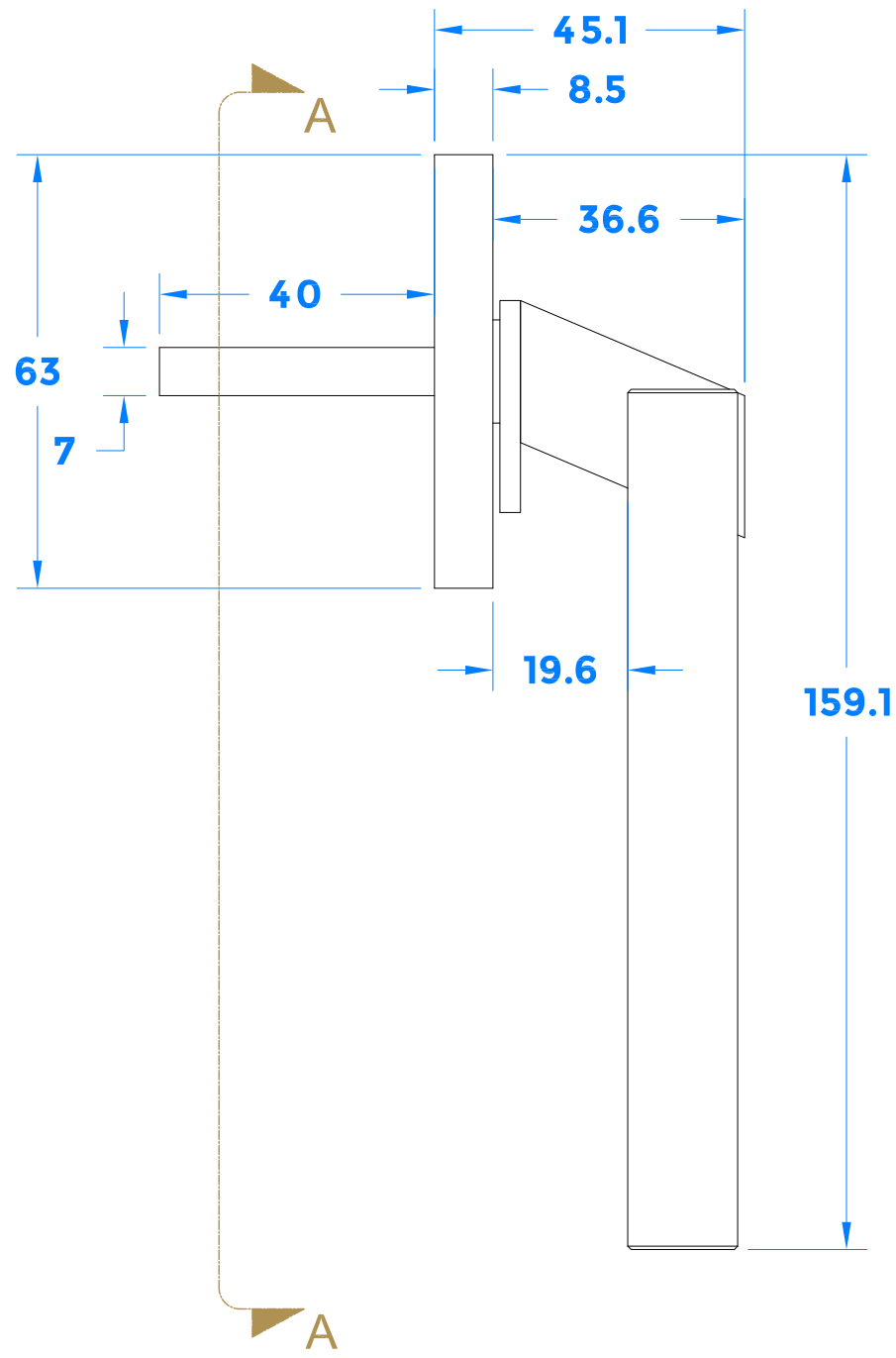
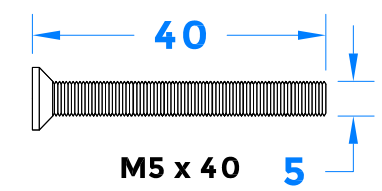


**Left Hand Handle Shown, Right Hand Handle Opposite.**

Drawing Revision History		
Revision	Description /Change	Date
A	Release	29/10/2021



**Section D-D**



**CX-490**  
**1 x 2mm Grub Key Long Ball Point**  
**Allen Key**

**Section C-C**

 <b>COASTAL</b>		coastal-group.com <i>Shaping the future.</i>
Part Number /Drawing Title: <b>SST87-40-LH</b> <b>Offset Window Espag Handle</b>		
Product Range: <b>Window Handles</b>		
Material: 316 Stainless Steel		
Additional Info: Left Hand Shown, Right Hand Opposite		
Date Drawn: 29/10/2021		
Drawn By: Philip Walklett		
Part Number: SST87-40-LH		
File Name: SST87-40-LH.dwg		
Revision: A		
Drawing Scale: Not to Scale		
Sheet Number: 1 of 1		
THIRD ANGLE PROJECTION		This drawing and specification are the property of Coastal Specialist Ironmongery Ltd, they are issued in strict confidence and shall not be reproduced, copied or used without written permission. EAOE - All dimensions are specified in mm.