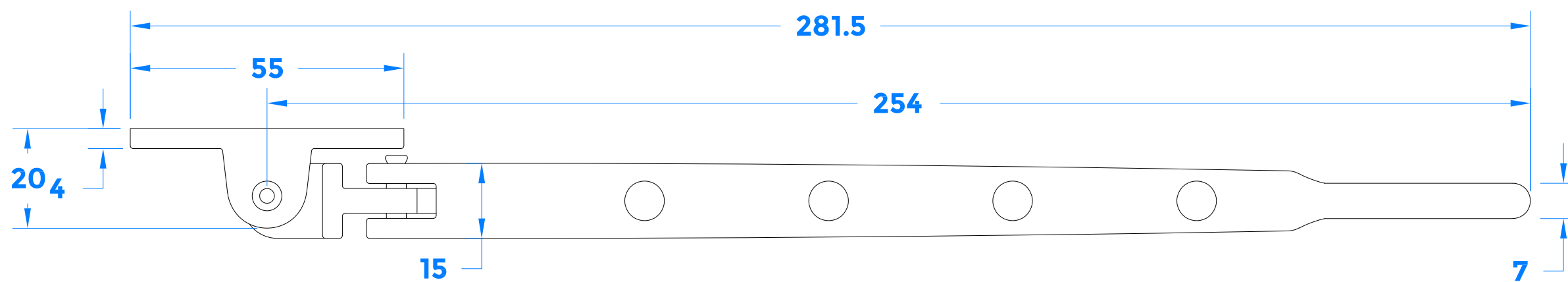
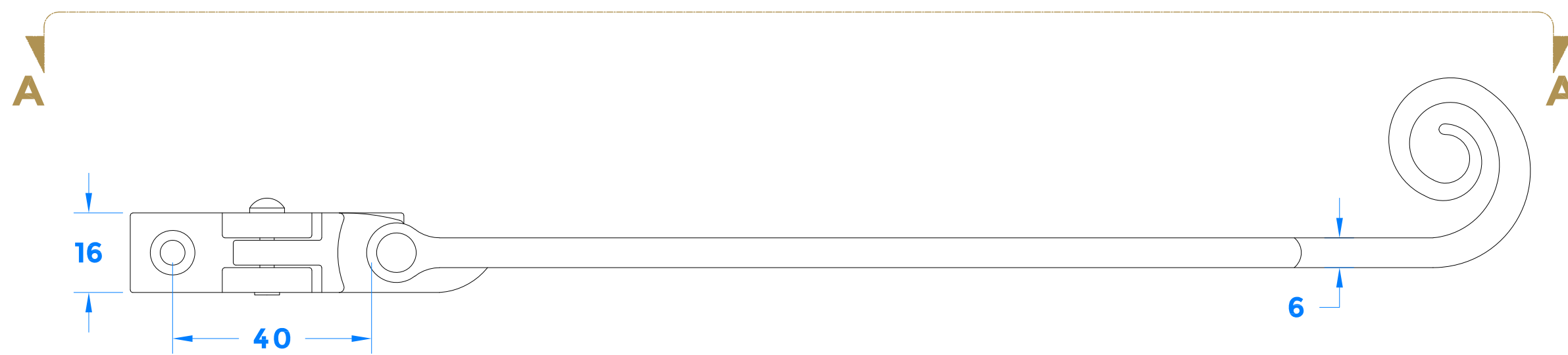
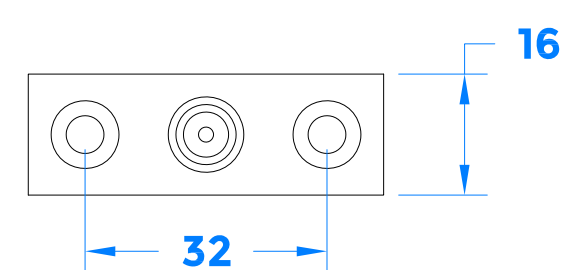
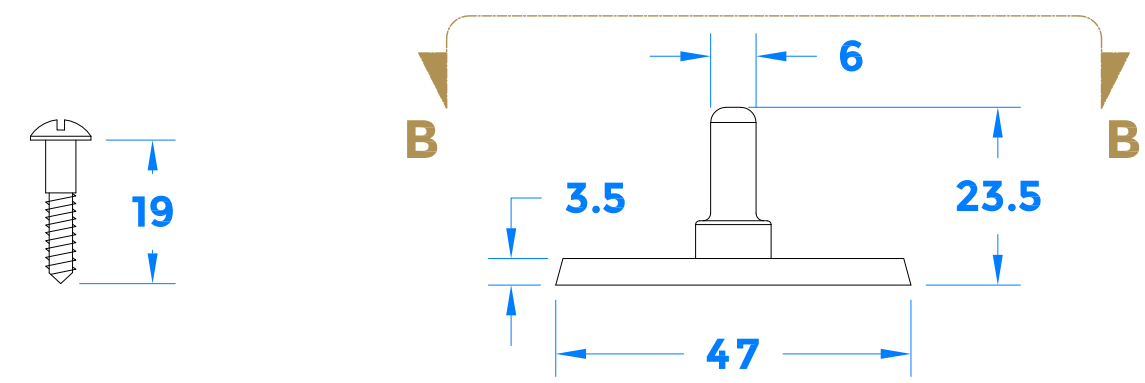


Drawing Revision History		
Revision	Description /Change	Date
A	Release	01/11/2021



**Section A-A**



**Section B-B**

coastal-group.com  
*Shaping the future.*

**COASTAL**

Part Number /Drawing Title:  
**CO8500-10  
Antique Curly Tail Casement Stay**

Product Range:  
**Window Furniture**

Material: Malleable Iron

Additional Info:

Date Drawn: 01/11/2021  
Drawn By: Philip Walklett  
Part Number: CO8500-10  
File Name: CO8500-10.dwg  
Revision: A  
Drawing Scale: 1:1 @ A3  
Sheet Number: 1 of 1

**THIRD ANGLE PROJECTION**

This drawing and specification are the property of Coastal Specialist Ironmongery Ltd, they are issued in strict confidence and shall not be reproduced, copied or used without written permission.  
E&OE - All dimensions are specified in mm.