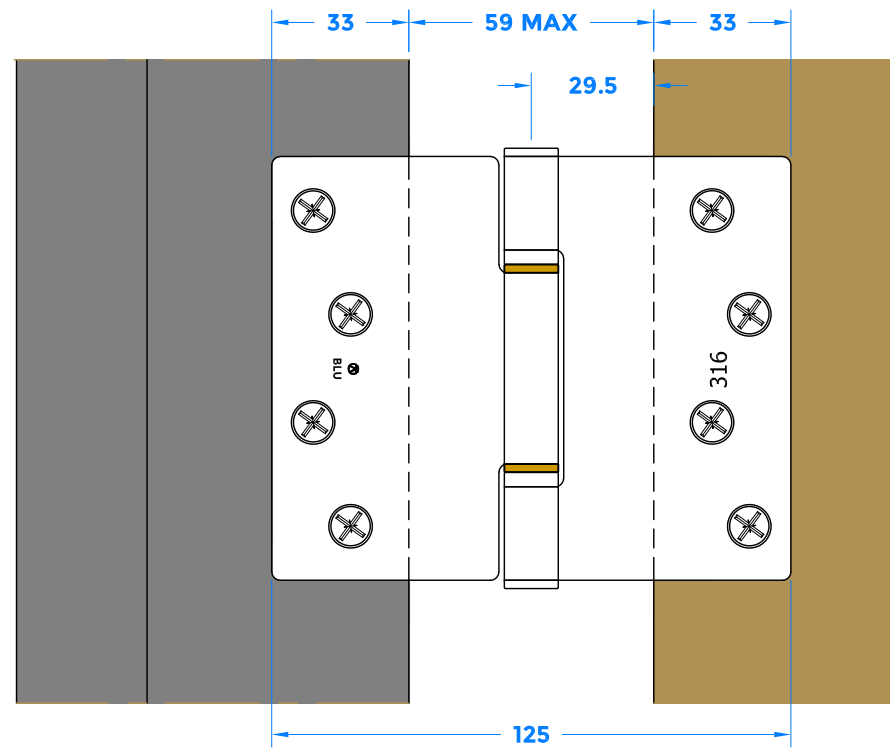


REVISION HISTORY		
Revision	Description	Date
A	Release	27/10/2021

HQ45 Projection Hinge

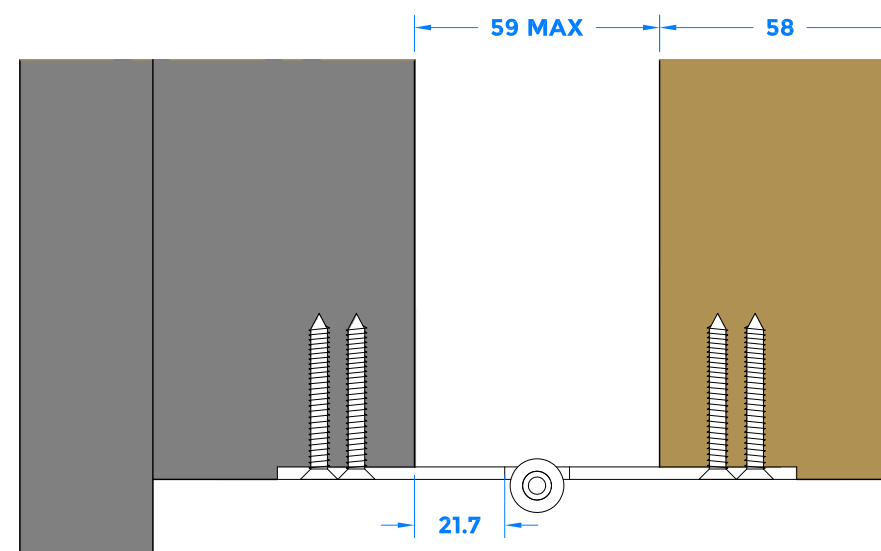
FRAME

SASH



FRAME

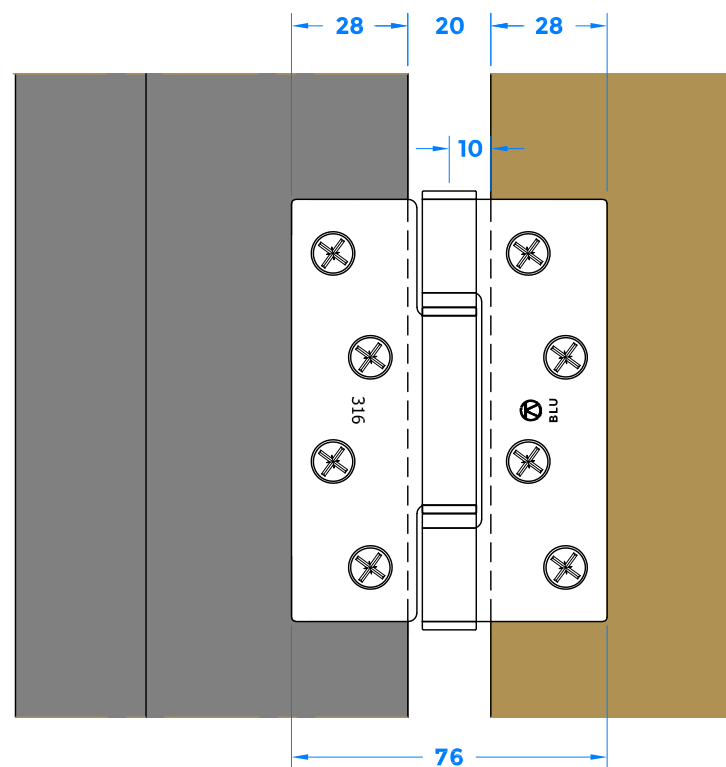
SASH



HQ4 Butt Hinge

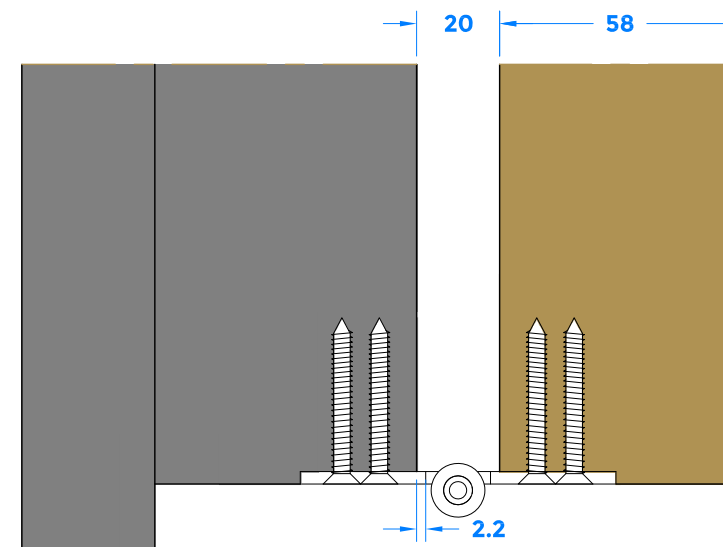
FRAME

SASH



FRAME

SASH



Part Number / Drawing Title:
**HQ4 v HQ45
Butt Hinge Differences**

Product Range:
Hinges & Pivots

Material: 316 Stainless Steel

Additional Info:

Date Drawn: 27/10/2021

Drawn By: Philip Walklett

Part Number: HQ4vHQ45

File Name: HQ4vHQ45.dwg

Revision: A

Drawing Scale: 1:1 @ A3

Sheet Number: 1 of 1

THIRD ANGLE PROJECTION
This drawing and specification are the property of Coastal Specialist Ironmongery Ltd, they are issued in strict confidence and shall not be reproduced, copied or used without written permission.
EAOE - All dimensions are specified in mm.

