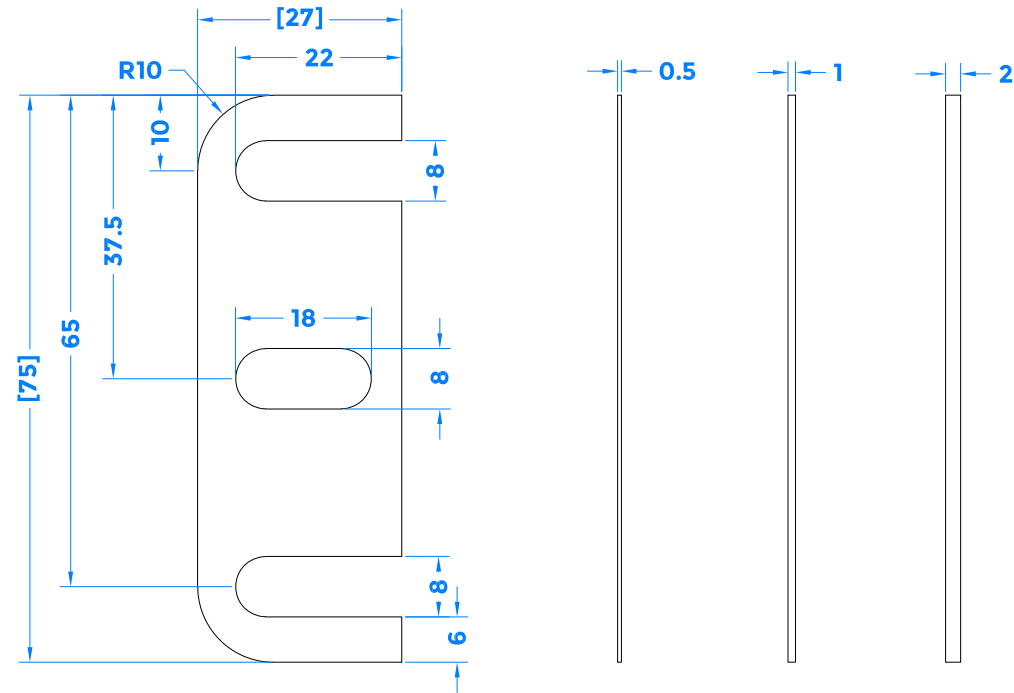


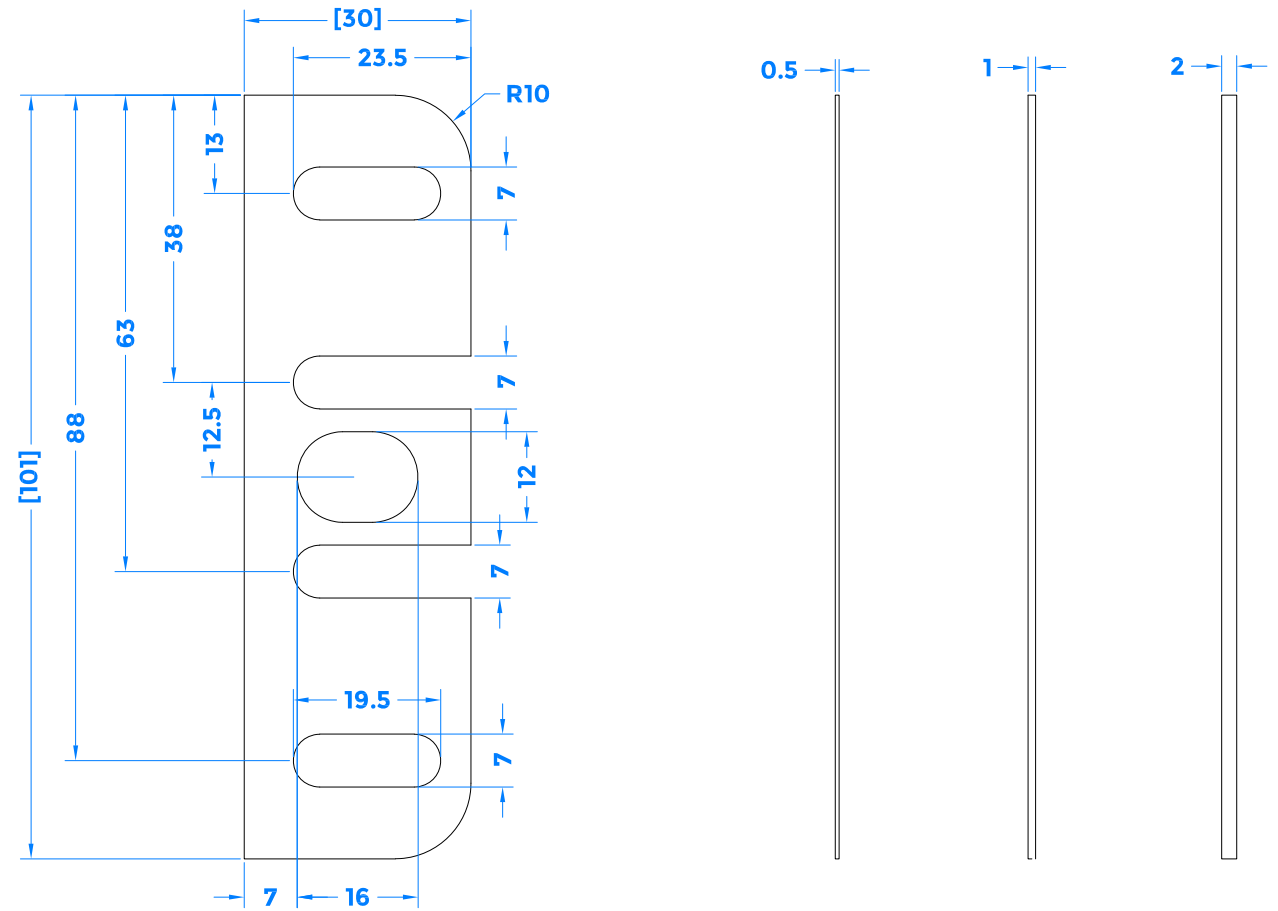
Drawing Revision History		
Revision	Description / Change	Date
A	Release	04 /11/2021

## HY3/HY3R Radius Shimwell Packers

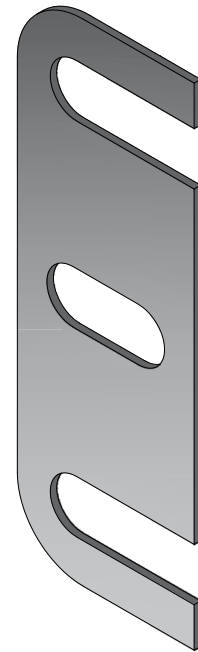


**HQ-305-R-SSS - 0.5mm thick**  
**HQ-310-R-SSS - 1.0mm thick**  
**HQ-320-R-SSS - 2.0mm thick**

## HQ4/HQ4R/HQ4-SEC/HQ45 Radius Shimwell Packers



**HQ-405-R-SSS - 0.5mm thick**  
**HQ-410-R-SSS - 1.0mm thick**  
**HQ-420-R-SSS - 2.0mm thick**



 <b>COASTAL</b>		coastal-group.com <i>Shaping the future.</i>
Part Number / Drawing Title:		
<b>HQ Shimwell Hinge Packers</b>		
Product Range:		
<b>Door Hinges</b>		
Material: 316 Stainless Steel		
Additional Info: Used to pack out a door hinge		
Date Drawn: 04 /11/2021		
Drawn By: Philip Walklett		
Part Number: HQ-(as shown)		
File Name: HQ-Shimwell.dwg		
Revision: A		
Drawing Scale: 1:1@ A3		
Sheet Number: 1 of 1		
 THIRD ANGLE PROJECTION	This drawing and specification are the property of Coastal Specialist Ironmongery Ltd, they are issued in strict confidence and shall not be reproduced, copied or used without written permission. EGOE - All dimensions are specified in mm.	