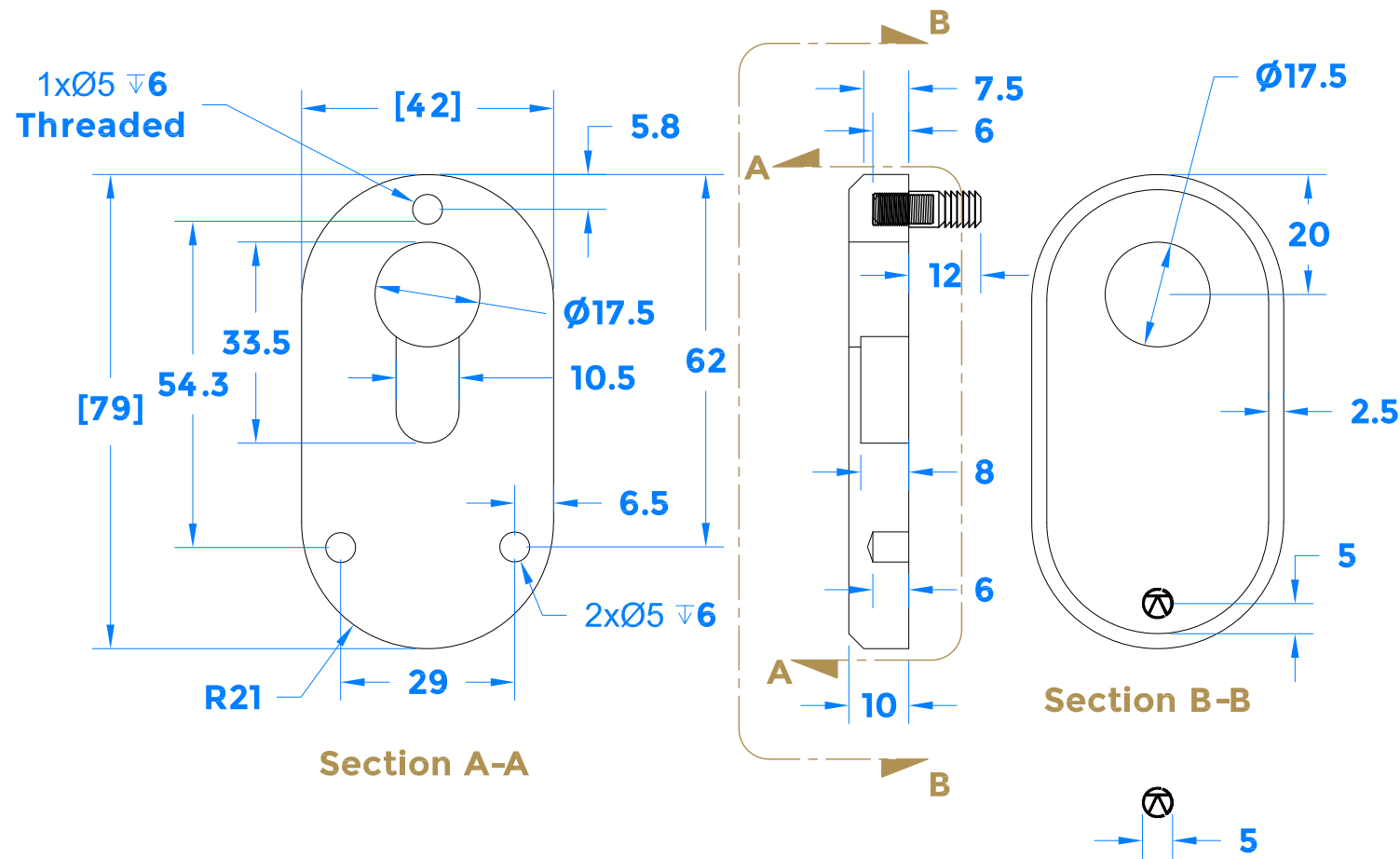
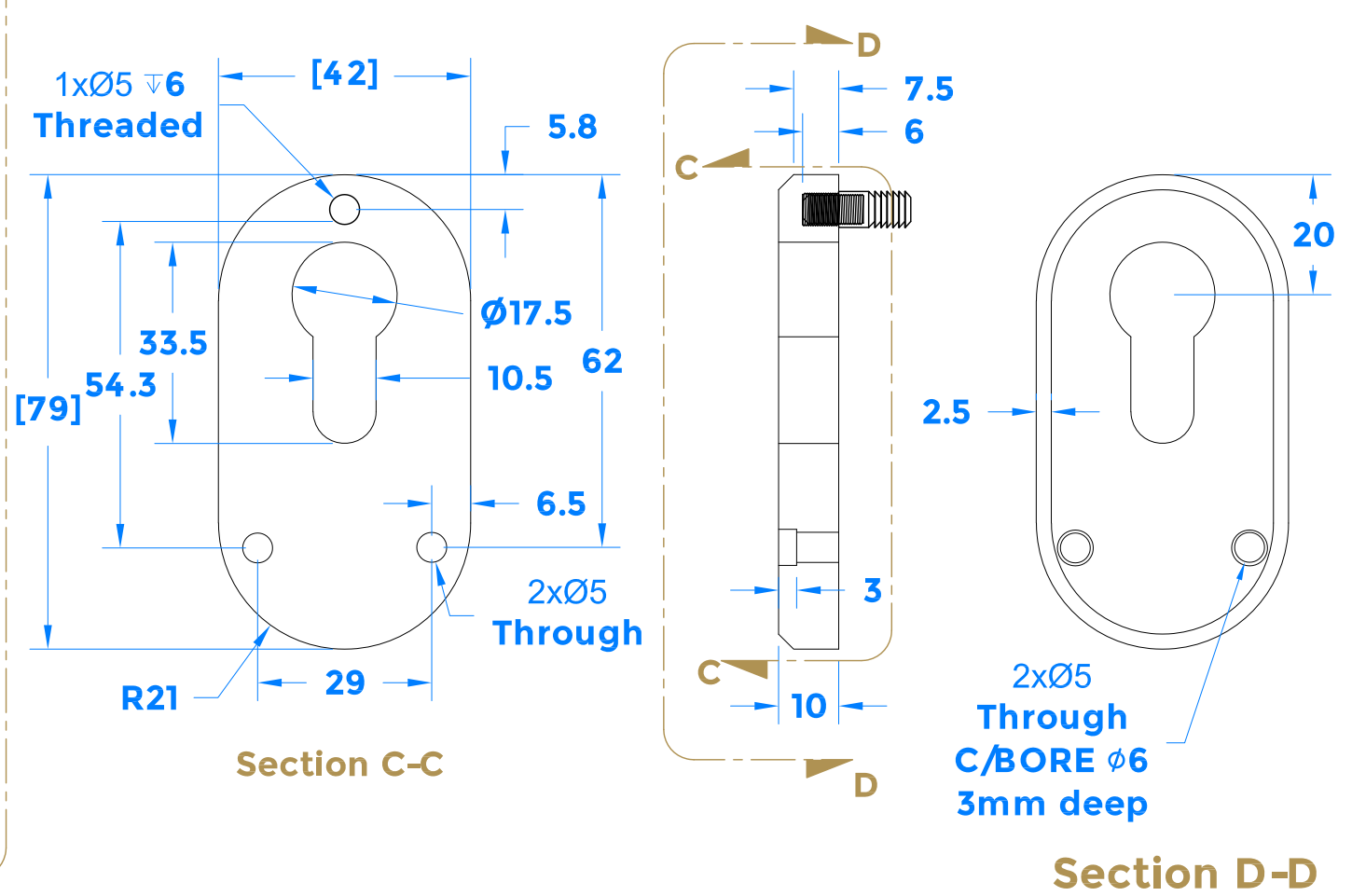


Drawing Revision History		
Revision	Description / Change	Date
A	Release	05/11/2021

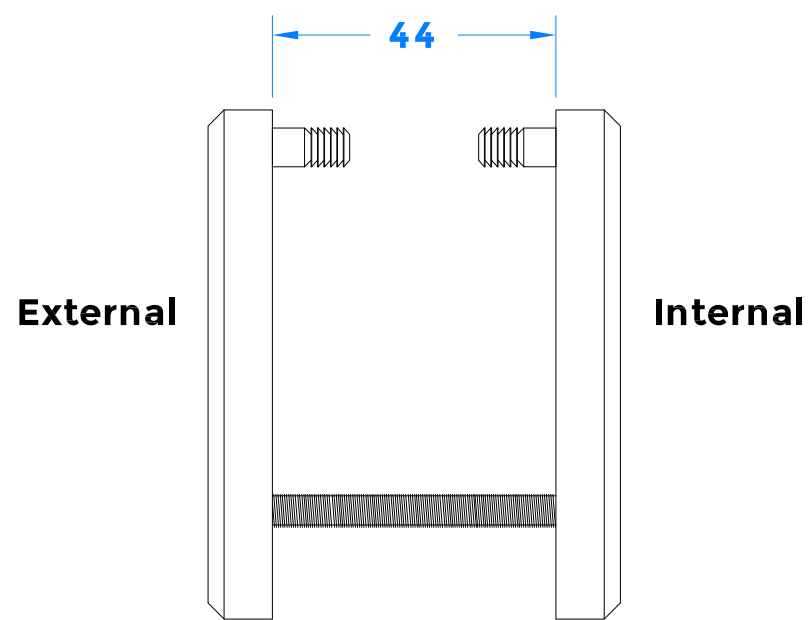
External Security Escutcheon



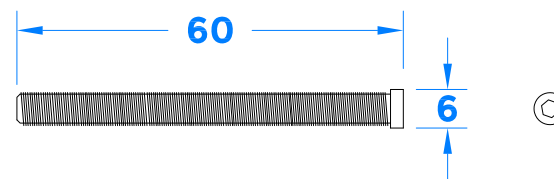
Internal Escutcheon



Assembled View



2x M5x60mm Screws



3mm Allen Key



COASTAL coastal-group.com
Shaping the future.

Part Number / Drawing Title:
SE40B - Security Escutcheon / Inside Escutcheon Set

Product Range:
Door Furniture

Material: 316 Stainless Steel

Additional Info: Suits Door Thickness of 44mm

Date Drawn: 05/11/2021

Drawn By: Philip Walklett

Part Number: SE40B

File Name: SE40B.dwg

Revision: A

Drawing Scale: Not to Scale

Sheet Number: 1 of 1

THIRD ANGLE PROJECTION

This drawing and specification are the property of Coastal Specialist Ironmongery Ltd, they are issued in strict confidence and shall not be reproduced, copied or used without written permission.
EAOE - All dimensions are specified in mm.