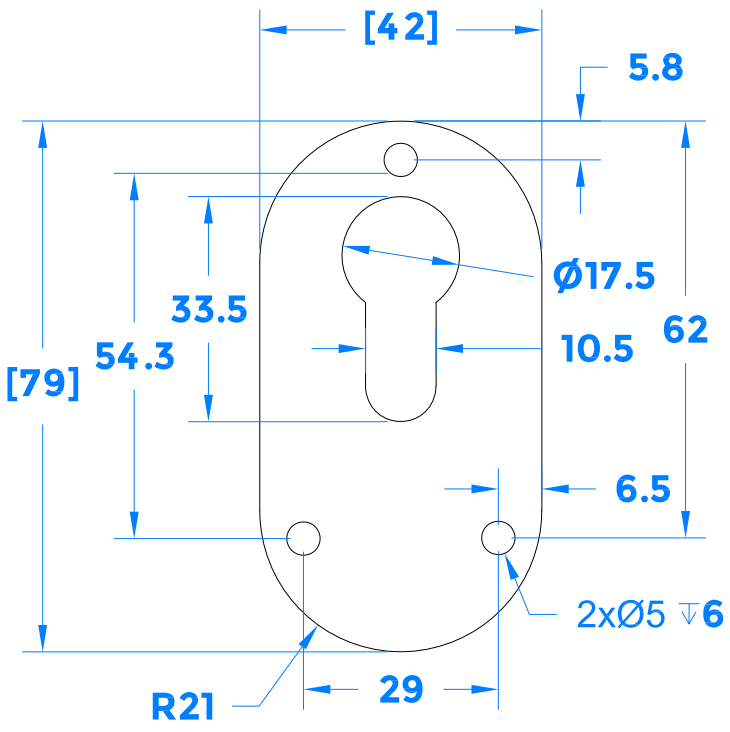


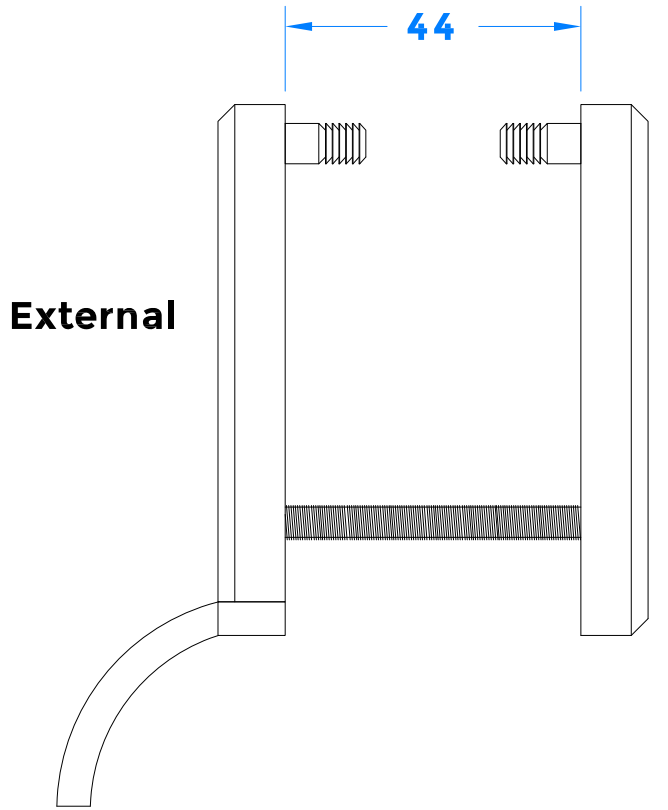
Drawing Revision History		
Revision	Description /Change	Date
A	Release	05/11/2021

### Internal Escutcheon



Section A-A

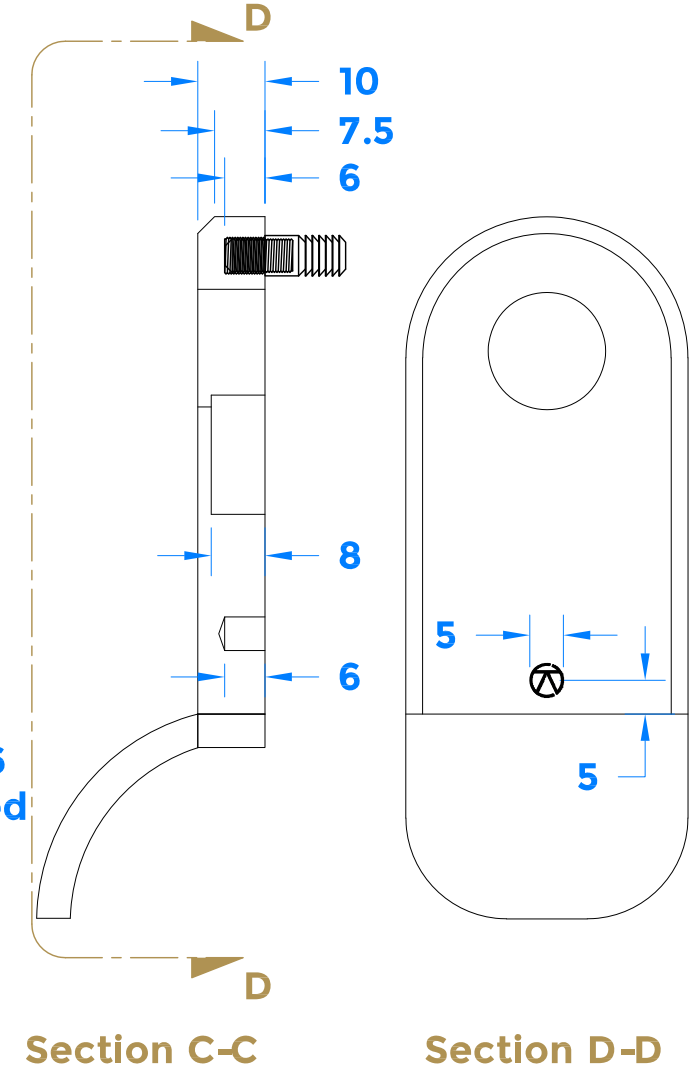
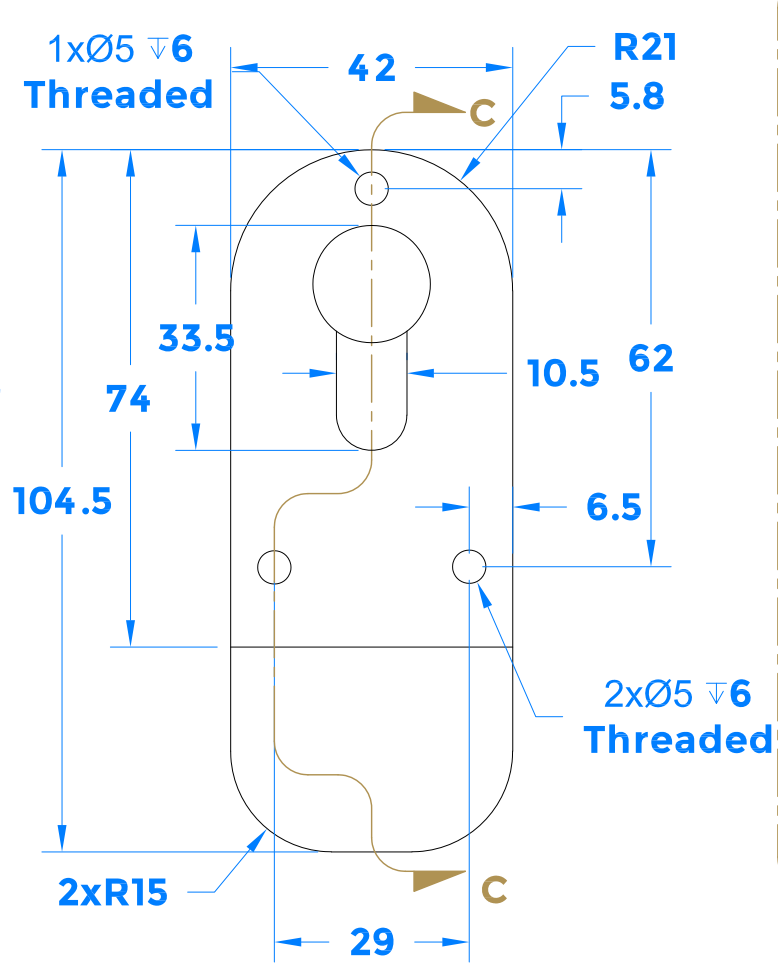
### Assembled View



External

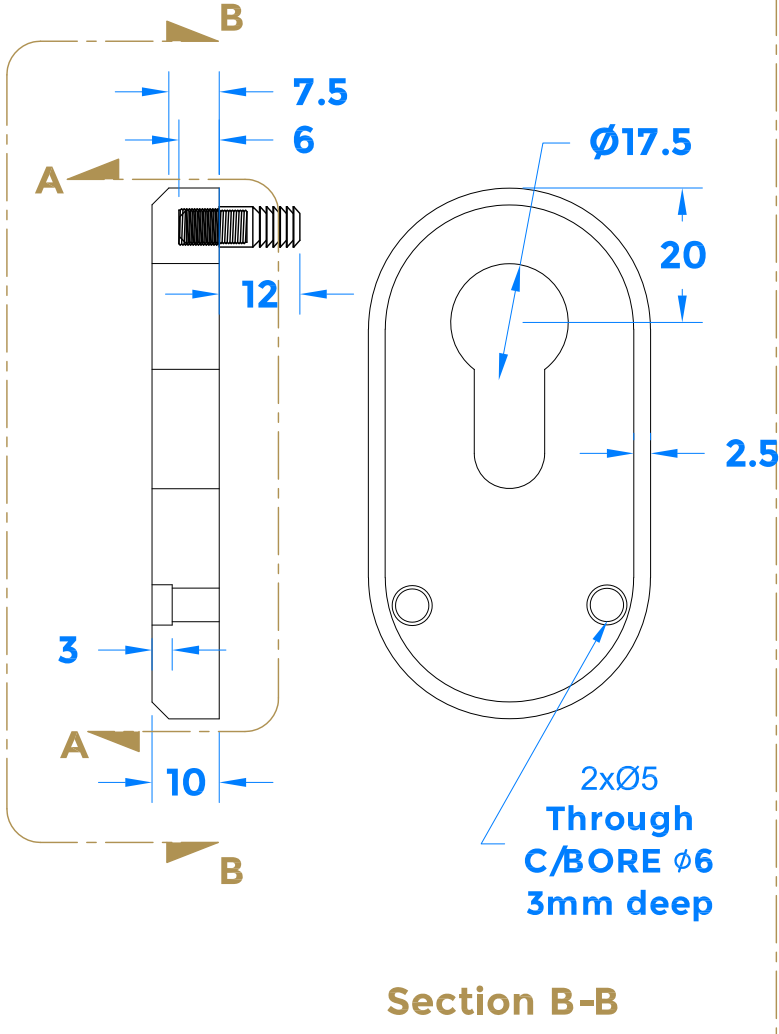
Internal

### External Security Cylinder Pull



Section C-C

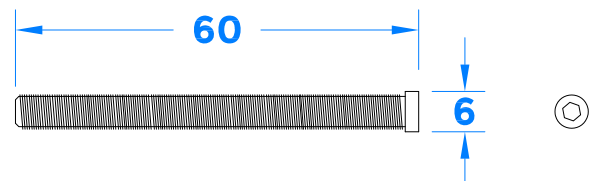
Section D-D



Section B-B


### Fixings

2x M5x60mm Screws



3mm Allen Key





coastal-group.com  
*Shaping the future.*

**COASTAL**

Part Number /Drawing Title:  
**SE40C - Security Cylinder Pull / Inside Escutcheon Set**

Product Range:  
**Door Furniture**

Material: 316 Stainless Steel

Additional Info: Suits Door Thickness of 44mm

Date Drawn: 05/11/2021

Drawn By: Philip Walklett

Part Number: SE40C

File Name: SE40C.dwg

Revision: A

Drawing Scale: Not to Scale

Sheet Number: 1 of 1

THIRD ANGLE PROJECTION

This drawing and specification are the property of Coastal Specialist Ironmongery Ltd, they are issued in strict confidence and shall not be reproduced, copied or used without written permission.  
EAOE - All dimensions are specified in mm.