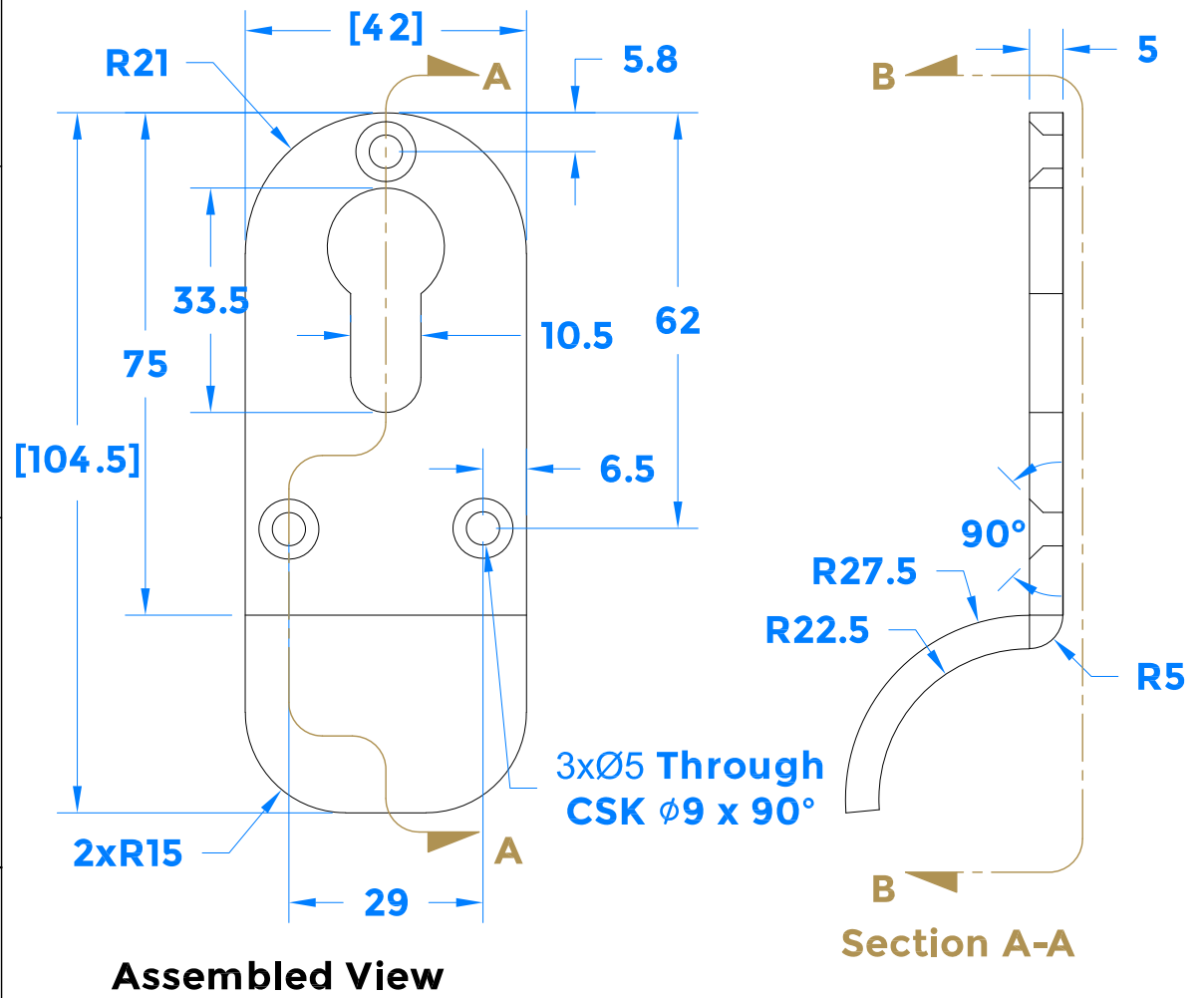
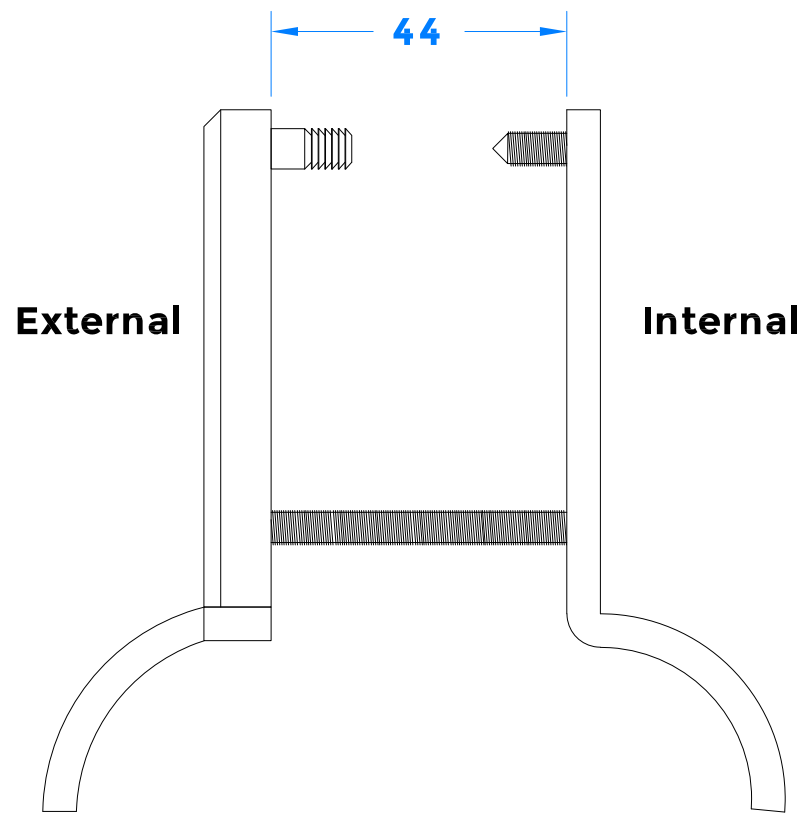
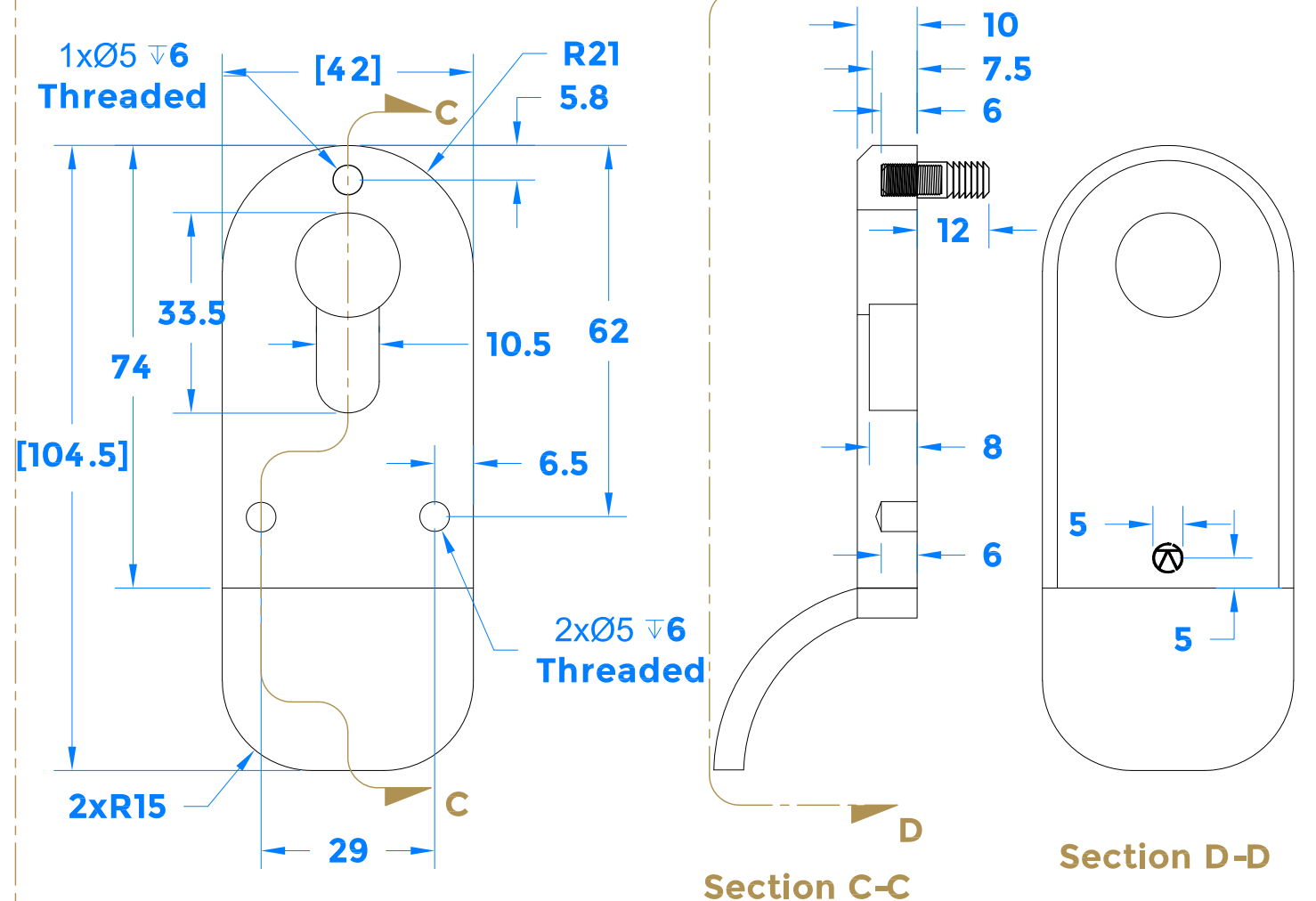


Drawing Revision History		
Revision	Description / Change	Date
A	Release	05/11/2021

Internal Escutcheon

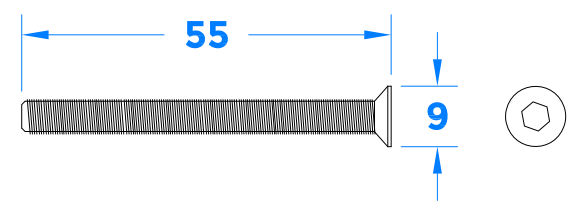


External Security Cylinder Pull



Fixings

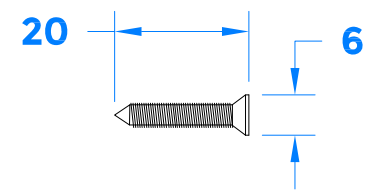
2x M5x55mm CSK Socket Head Screws




3mm Allen Key



1x Wood Screw





coastal-group.com
Shaping the future.

COASTAL

Part Number / Drawing Title:
SE40D - Security Cylinder Pull / Inside Cylinder Pull Set

Product Range:
Door Furniture

Material: 316 Stainless Steel

Additional Info: Suits Door Thickness of 44mm

Date Drawn: 05/11/2021

Drawn By: Philip Walklett

Part Number: SE40D

File Name: SE40D.dwg

Revision: A

Drawing Scale: Not to Scale

Sheet Number: 1 of 1

THIRD ANGLE PROJECTION

This drawing and specification are the property of Coastal Specialist Ironmongery Ltd, they are issued in strict confidence and shall not be reproduced, copied or used without written permission.
EAOE - All dimensions are specified in mm.