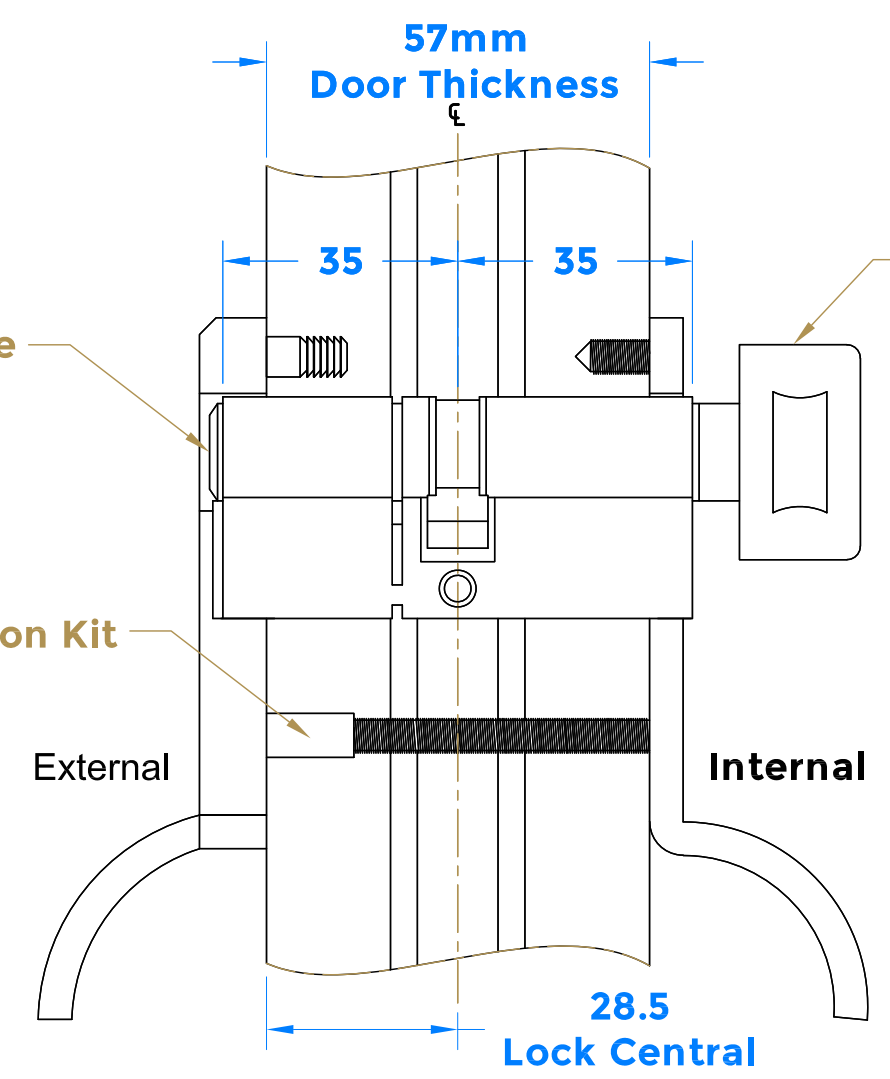
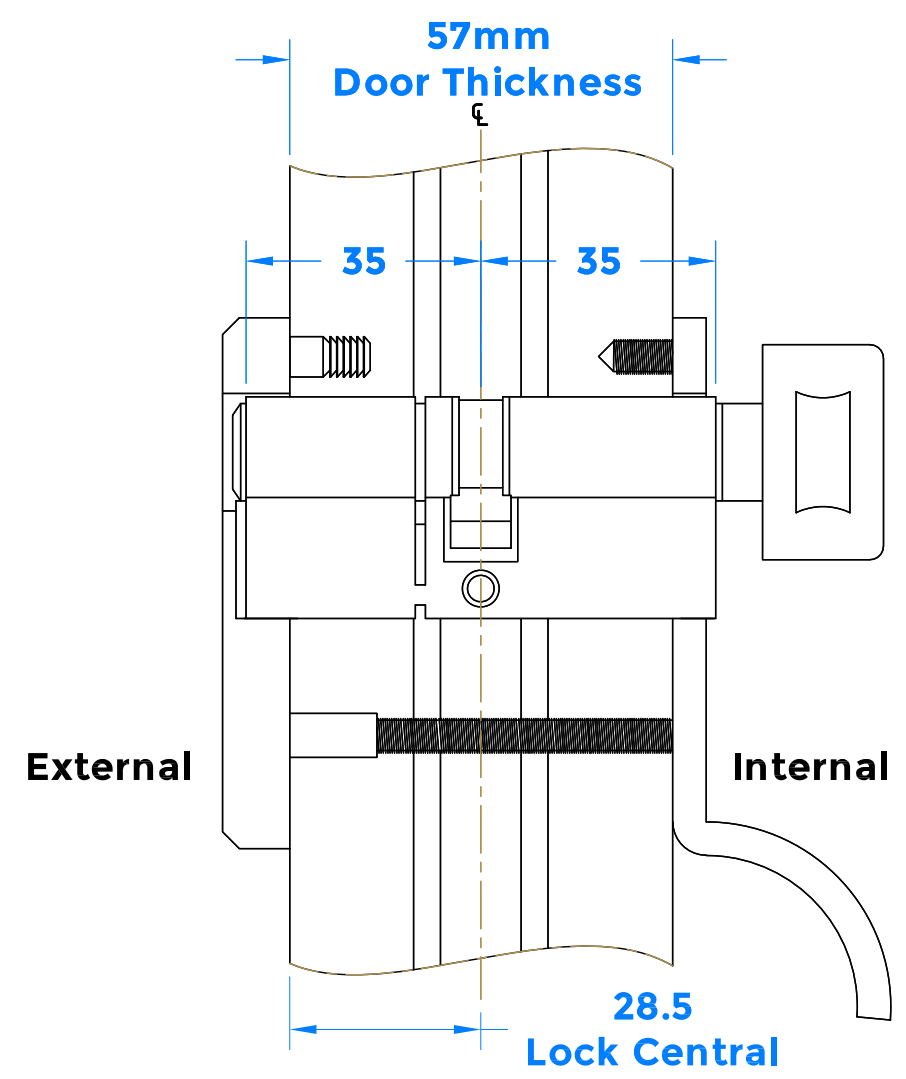


Drawing Revision History		
Revision	Description /Change	Date
A	Release	05/11/2021

SE40-A

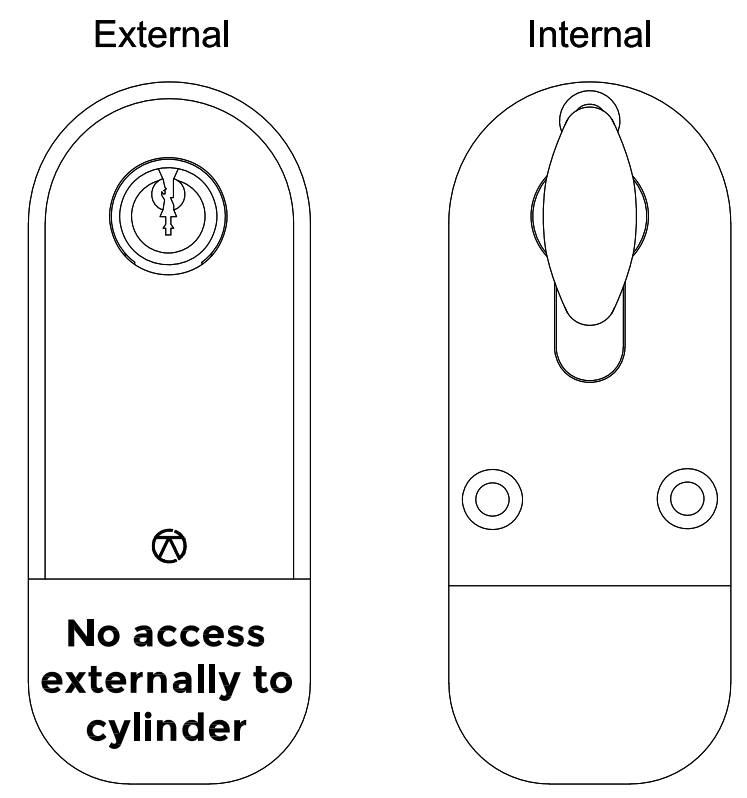
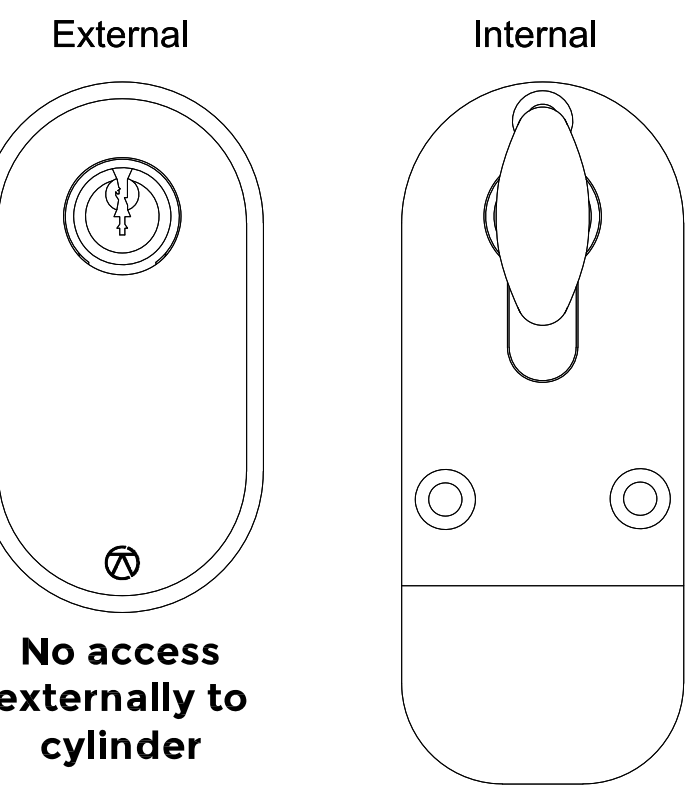
SE40-D



Cylinder Attack Side

Thumbturn Version

SE40 Bolt Extension Kit



Both the SE40-A & D version would use a 35/35 cylinder size on a 57mm thick door with the lock central to the door.


coastal-group.com
Shaping the future.

COASTAL

Part Number /Drawing Title:
**SE40A & SE40D
 Cylinder Measuring Guide**

Product Range:
Door Furniture

Material: 316 Stainless Steel

Additional Info: Suits Door Thickness of 44mm

Date Drawn: 05/11/2021

Drawn By: Phillip Walklett

Part Number: SE40A / SE40D

File Name: SE40-Cylinder-Guide.dwg

Revision: A

Drawing Scale: Not to Scale

Sheet Number: 1 of 1

THIRD ANGLE PROJECTION

This drawing and specification are the property of Coastal Specialist Ironmongery Ltd, they are issued in strict confidence and shall not be reproduced, copied or used without written permission.
 EAOE - All dimensions are specified in mm.