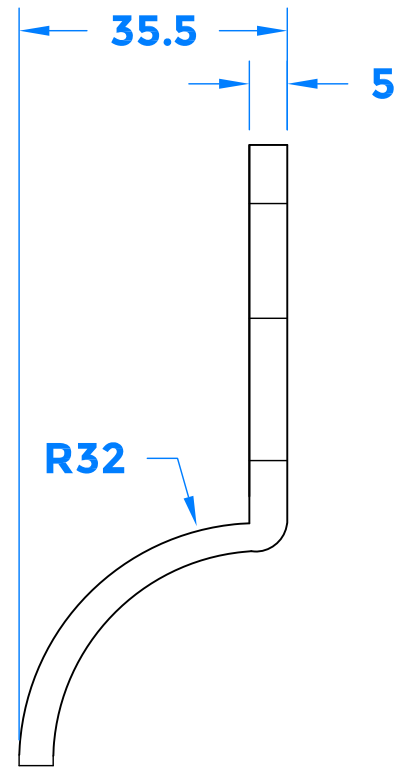
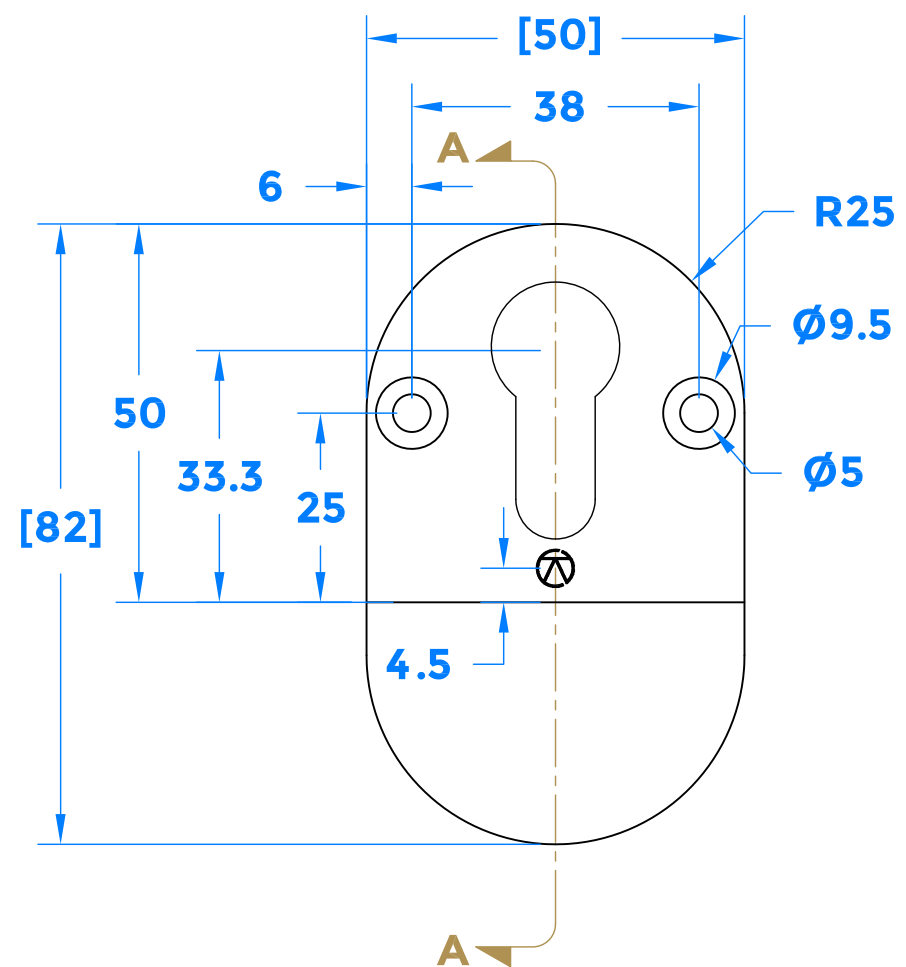
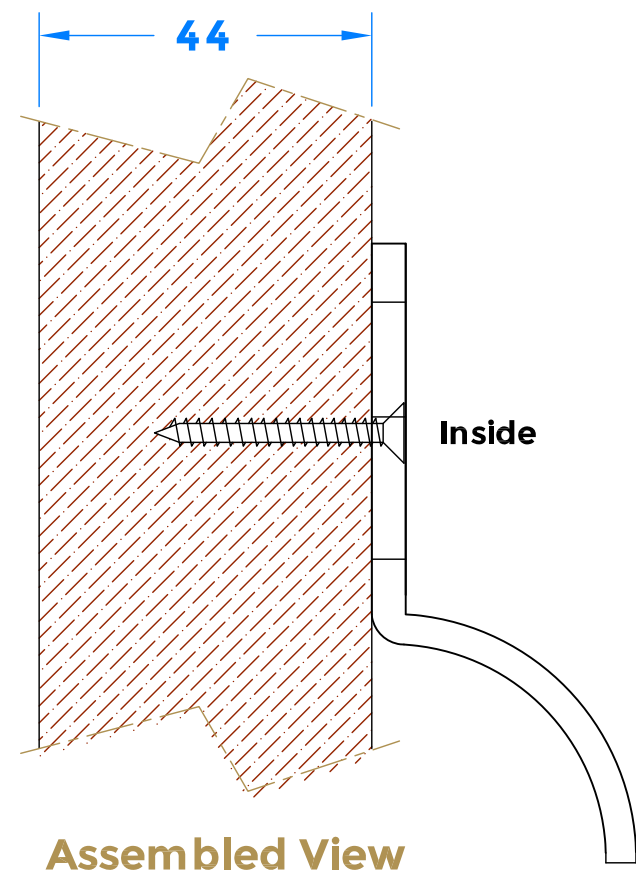


Drawing Revision History		
Revision	Description /Change	Date
A	Release	05/11/2021



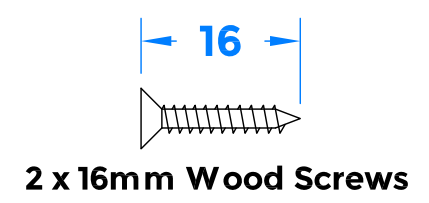
Section A-A



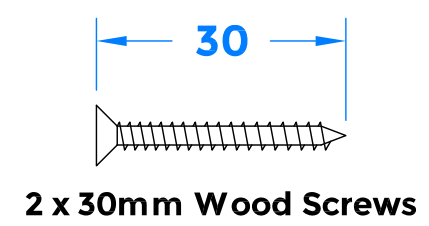
Assembled View




Logo Position



2 x 16mm Wood Screws



2 x 30mm Wood Screws



coastal-group.com
Shaping the future.

COASTAL

Part Number /Drawing Title:
**CP55
Inside Only Cylinder Pull**

Product Range:
Door Furniture

Material: 316 Stainless Steel

Additional Info:

Date Drawn: 05/11/2021

Drawn By: Philip Walklett

Part Number: CP55

File Name: CP55.dwg

Revision: A

Drawing Scale: 1:1@ A3

Sheet Number: 1 of 1

THIRD ANGLE PROJECTION

This drawing and specification are the property of Coastal Specialist Ironmongery Ltd, they are issued in strict confidence and shall not be reproduced, copied or used without written permission.
EAOE - All dimensions are specified in mm.