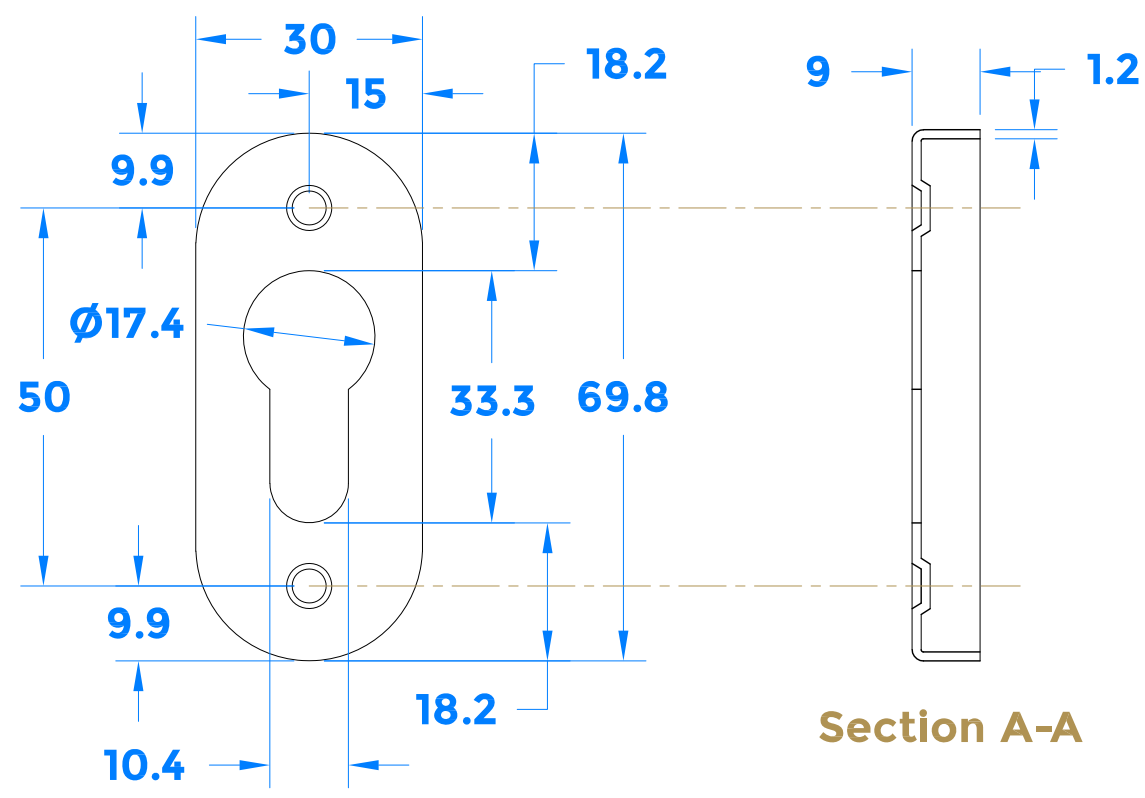


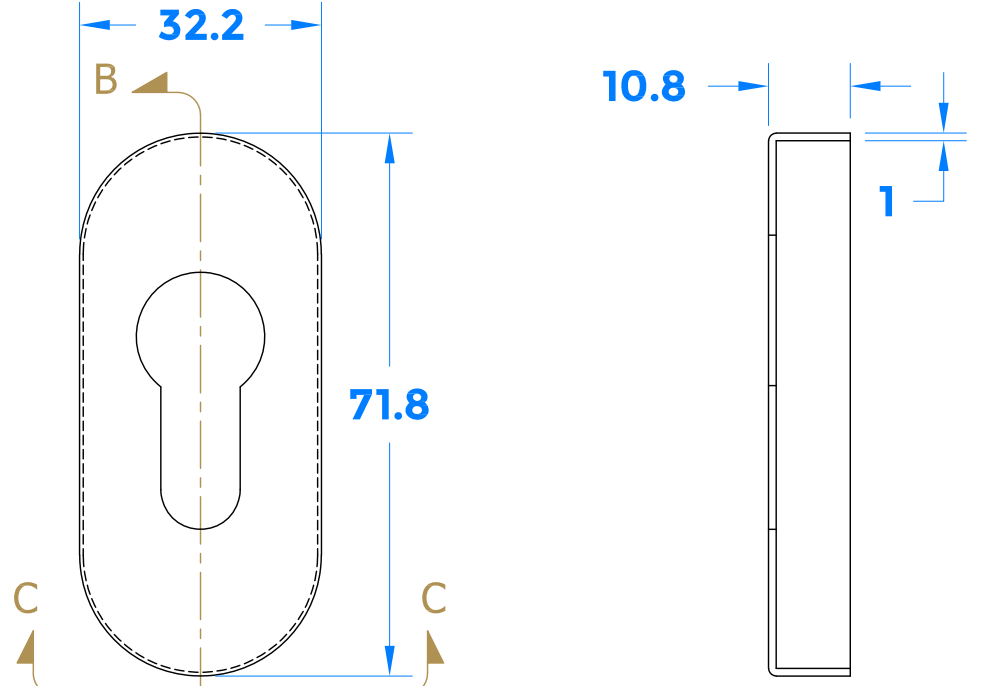
REVISION HISTORY		
Revision	Description	Date
A	Release	04/06/21

Backplate



Section A-A

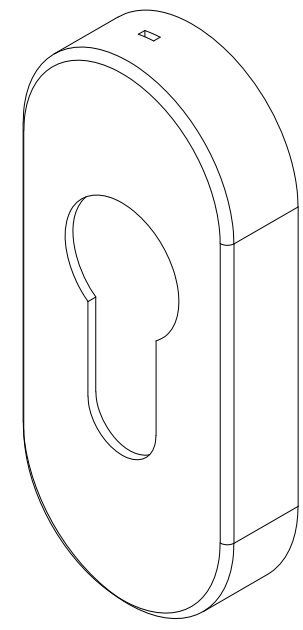
Faceplate Cover



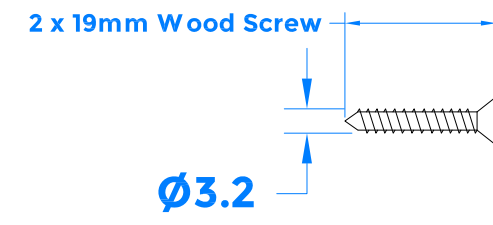
Section B-B




Logo Position
Section C-C



Logo Position





coastal-group.com
Shaping the future

COASTAL

Part Number / Drawing Title:
KM045B
Oval Escutcheon

Product Range:
Door furniture

Material: 316 Stainless Steel

Additional Info

Date Drawn: 04/06/2021

Drawn By: Phillip Walklett

Part Number: KM045B

File Name: KM045B.dwg

Revision: A

Drawing Scale: 1:1 @ A3

Sheet Number: 1 of 1

THIRD ANGLE PROJECTION

This drawing and specification are the property of Coastal Specialist Ironmongery Ltd. they are issued in strict confidence and shall not be reproduced, copied or used without written permission.
E&OE - All dimensions are specified in mm.