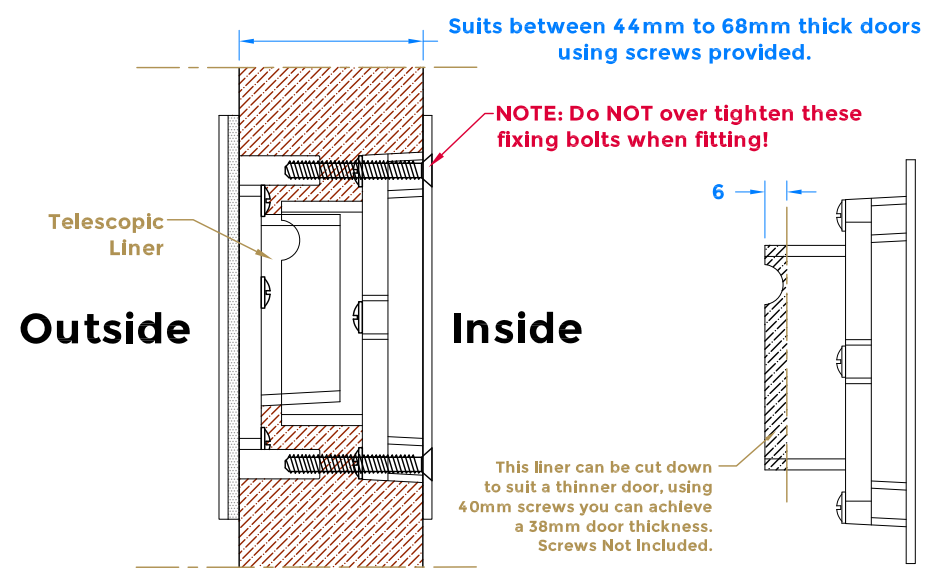
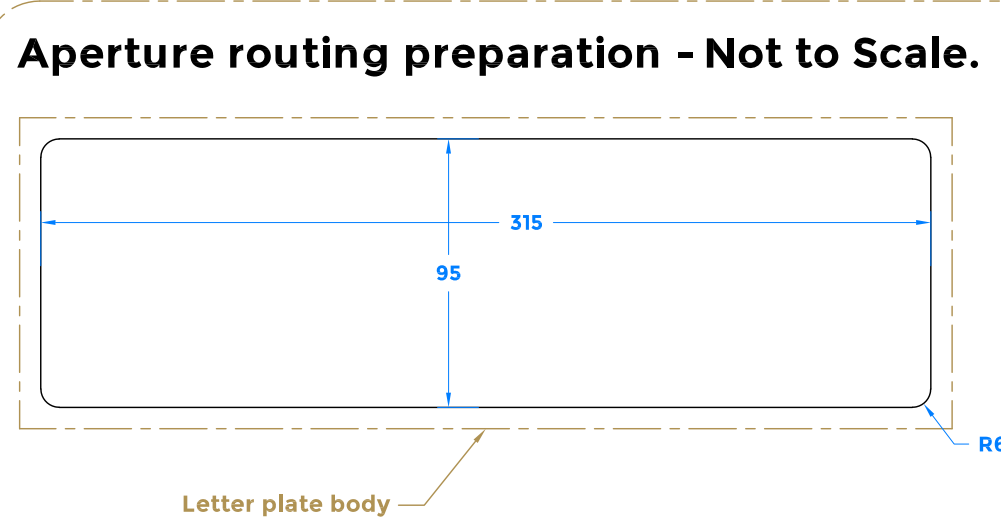
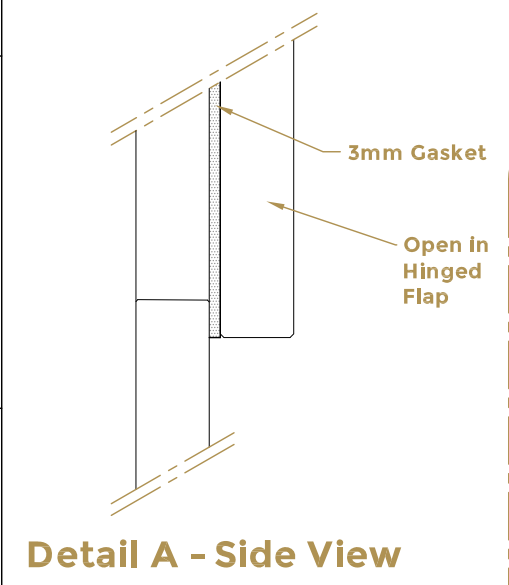
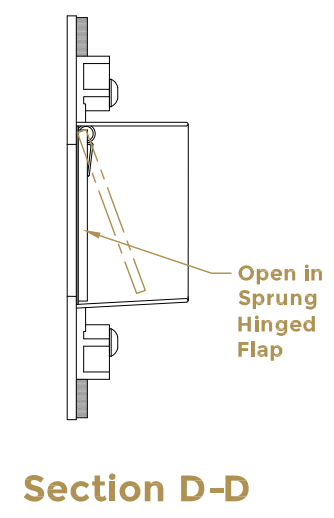
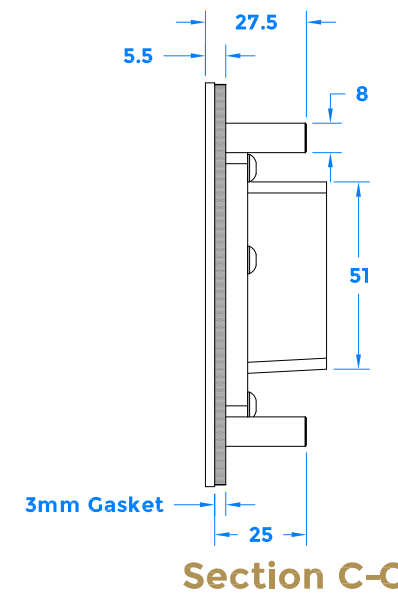
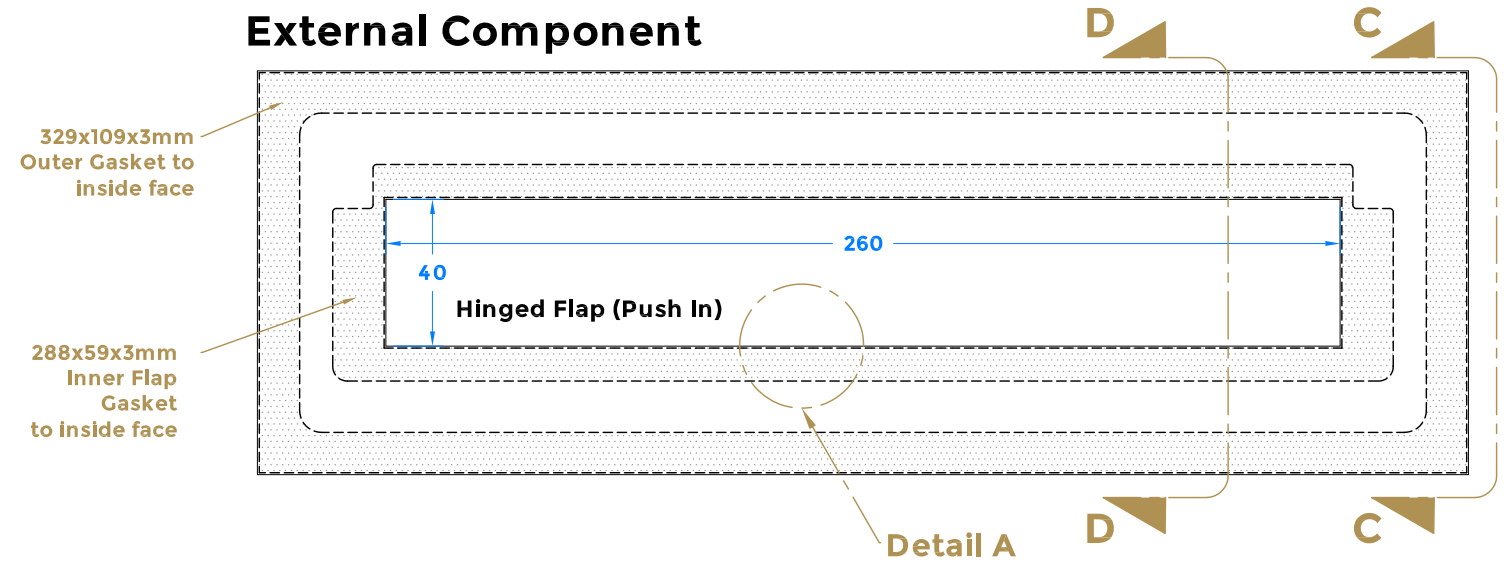
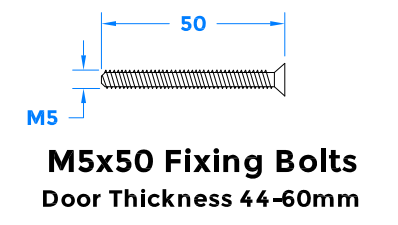
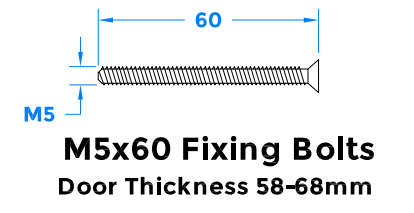
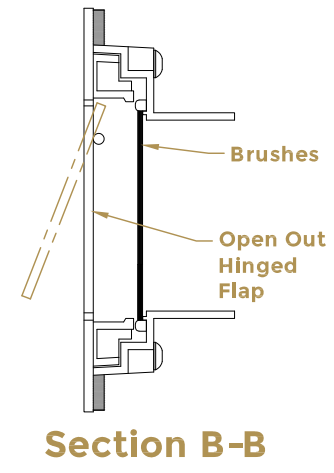
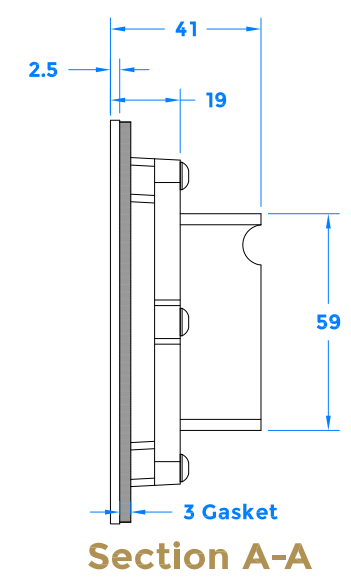
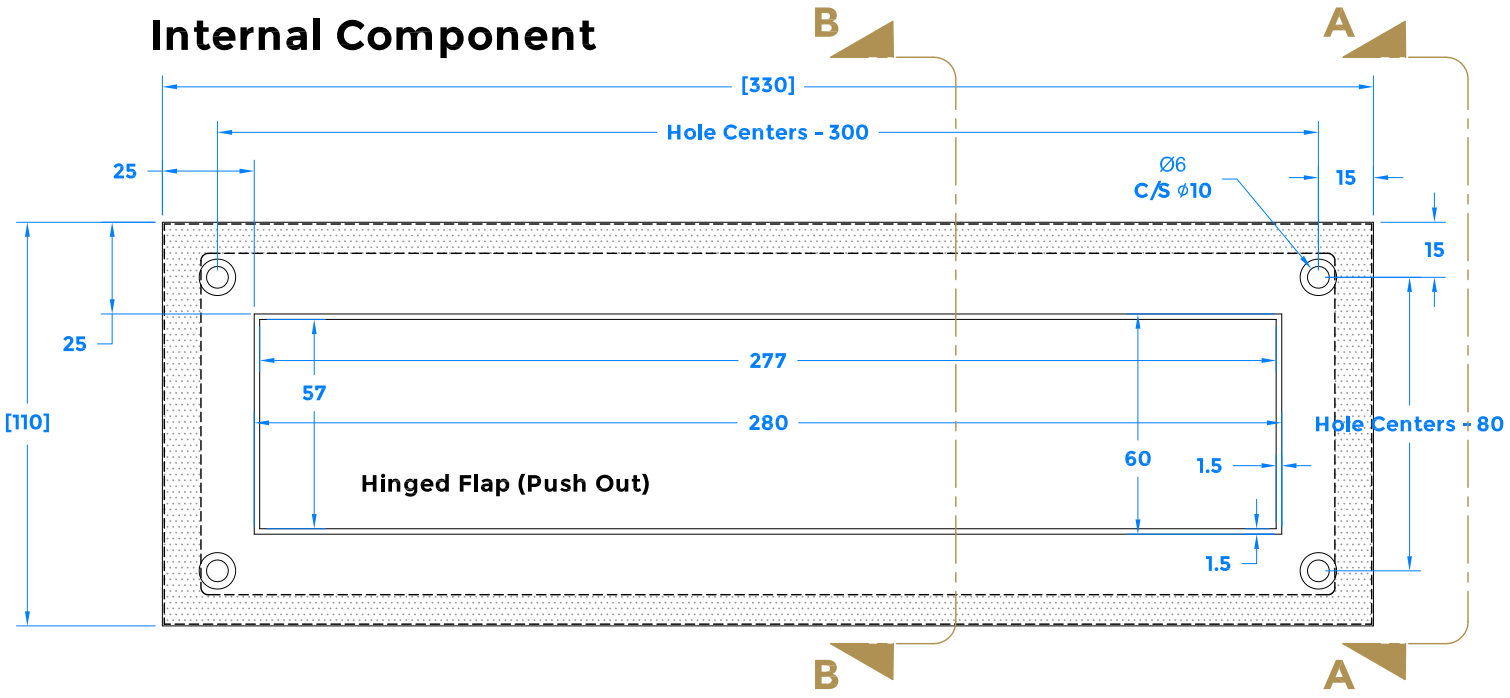


Drawing Revision History		
Revision	Description /Change	Date
A	Release	05/11/2021



**COASTAL**  
coastal-group.com  
*Shaping the future.*

Part Number /Drawing Title:  
**LP400**  
**Sleeved Letter Plate**

Product Range:  
**Door Furniture**

Material: 316 Stainless Steel

Additional Info: Suits up to 44-68mm Door Thickness

Date Drawn: 05/11/2021

Drawn By: Philip Walklett

Part Number: LP400

File Name: LP400.dwg

Revision: A

Drawing Scale: Not to Scale

Sheet Number: 1 of 1

THIRD ANGLE PROJECTION

This drawing and specification are the property of Coastal Specialist Ironmongery Ltd, they are issued in strict confidence and shall not be reproduced, copied or used without written permission.  
EAOE - All dimensions are specified in mm.