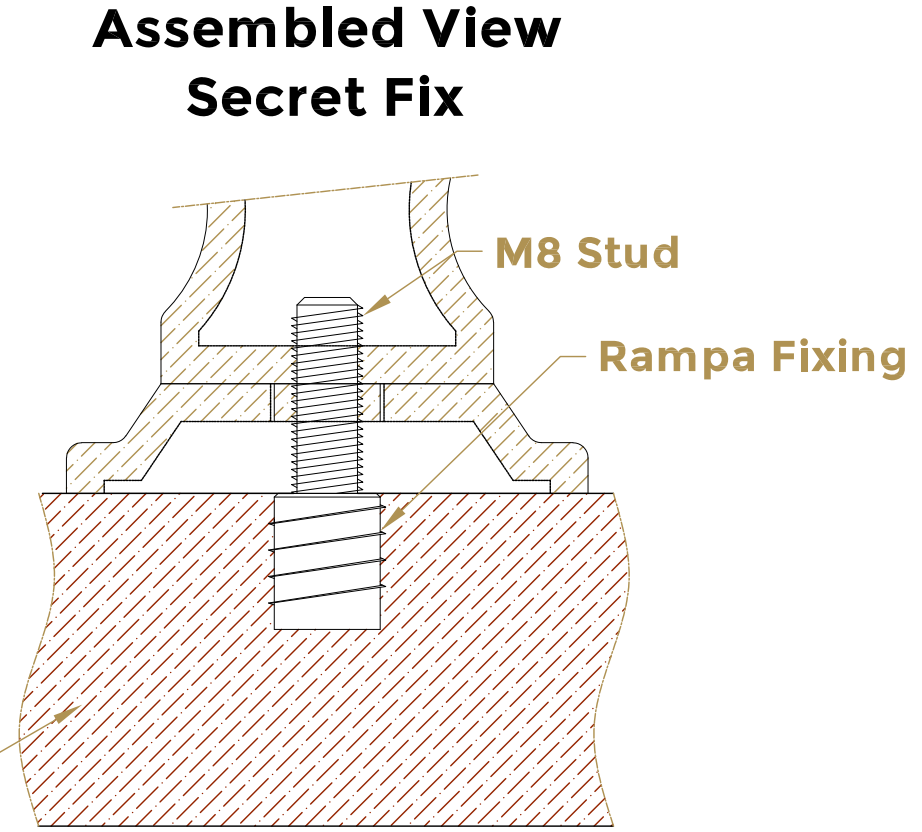
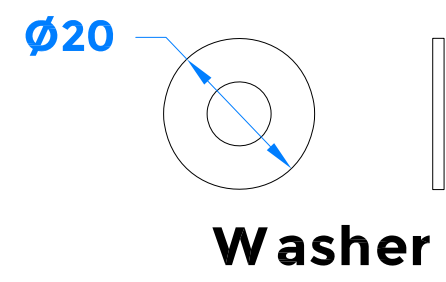
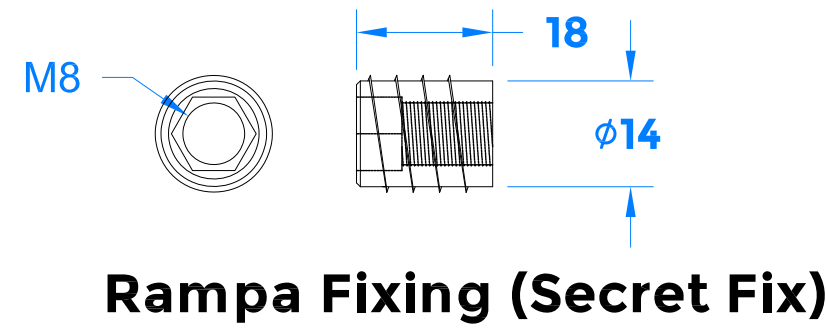
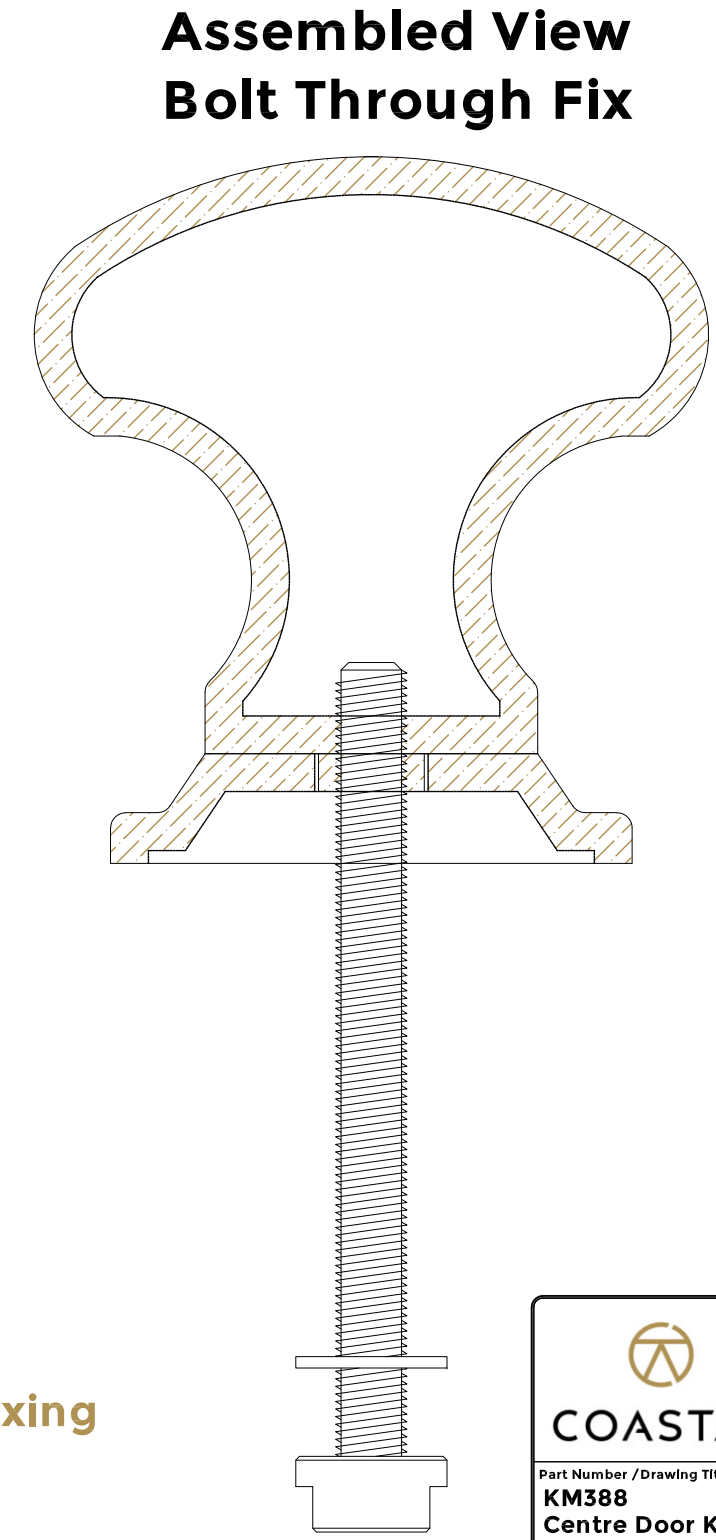
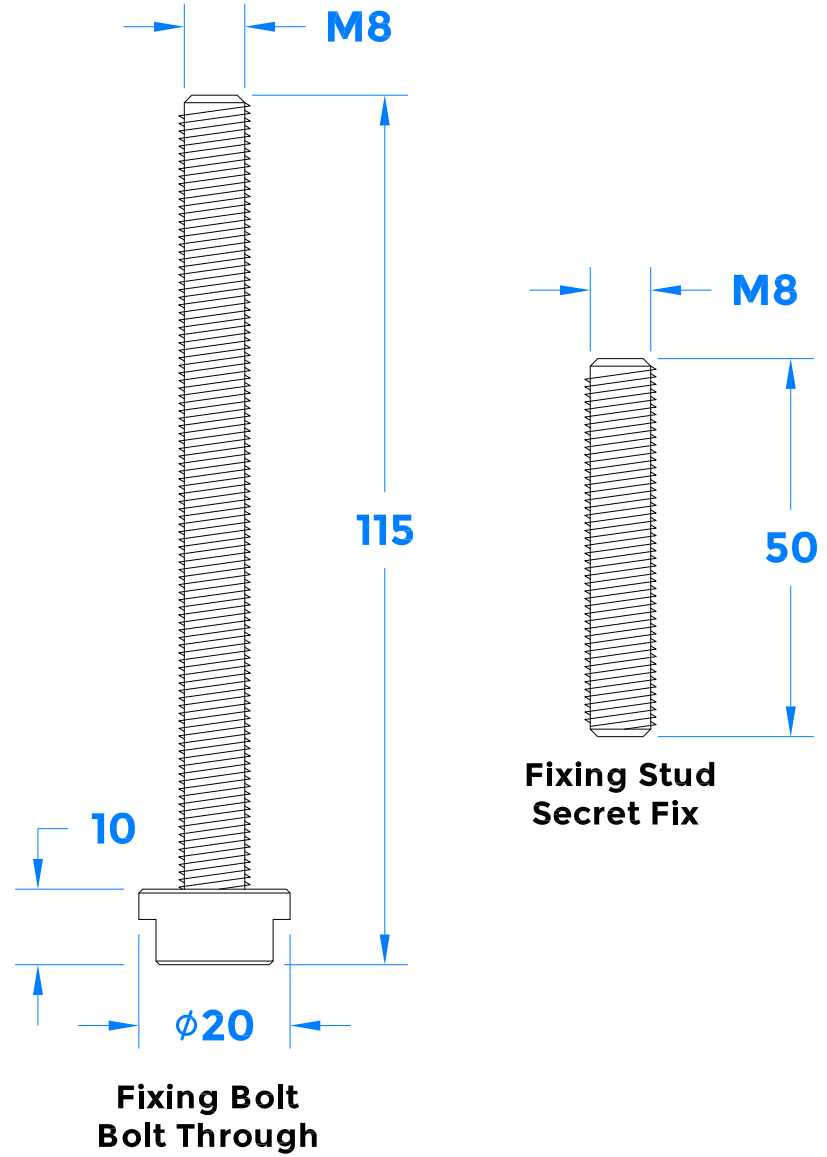
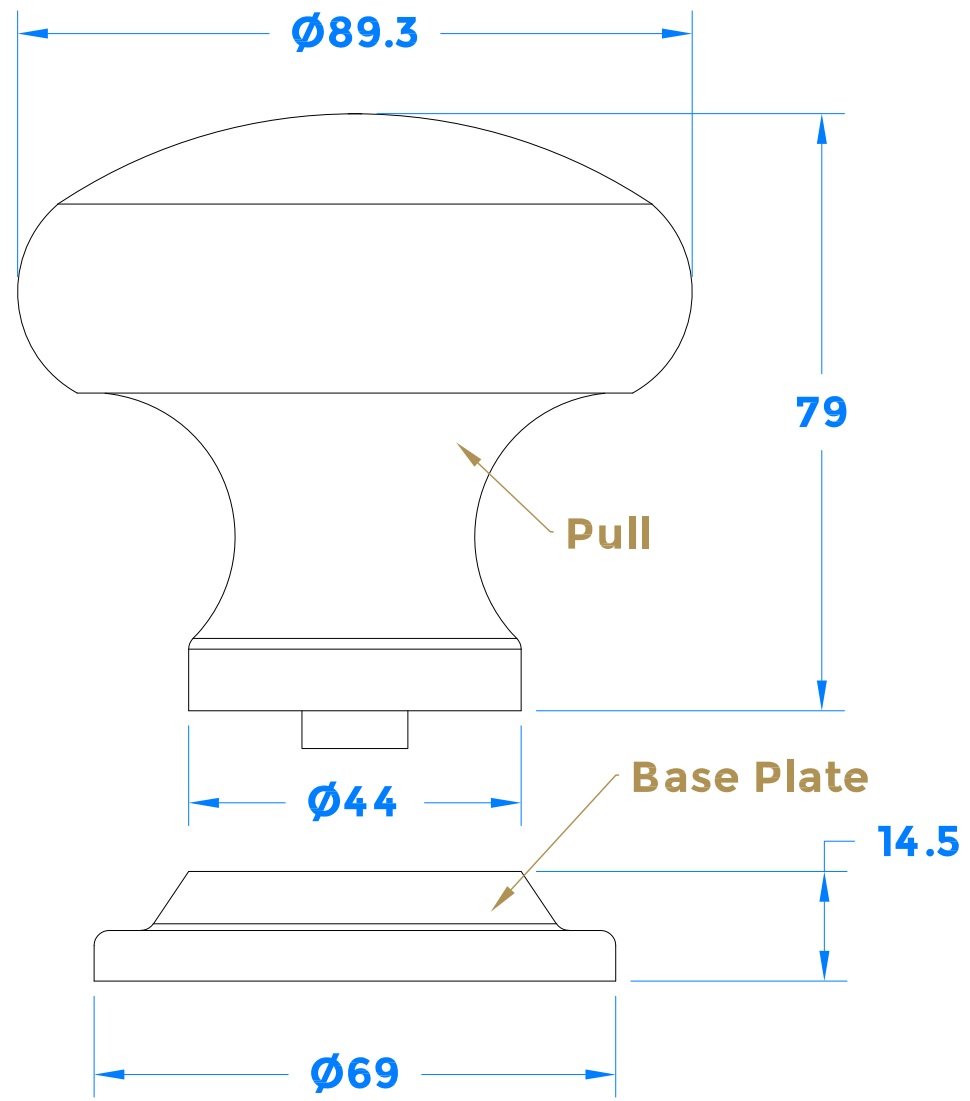


Drawing Revision History		
Revision	Description /Change	Date
A	Release	05/11/2021



 **COASTAL** coastal-group.com  
*Shaping the future.*

Part Number /Drawing Title:  
**KM388  
Centre Door Knob**

Product Range:  
**Door Furniture**

Material: 316 Stainless Steel

Additional Info:

Date Drawn: 05/11/2021  
Drawn By: Phillip Walklett

Part Number: KM388  
File Name: KM388.dwg

Revision: A

Drawing Scale: 1:1@ A3

Sheet Number: 1 of 1

 **THIRD ANGLE PROJECTION**

This drawing and specification are the property of Coastal Specialist Ironmongery Ltd, they are issued in strict confidence and shall not be reproduced, copied or used without written permission.  
EAOE - All dimensions are specified in mm.

A  
B  
C  
D  
E  
F

1 2 3 4 5 6 7 8

1 2 3 4 5 6 7 8 Din A3 - Landscape