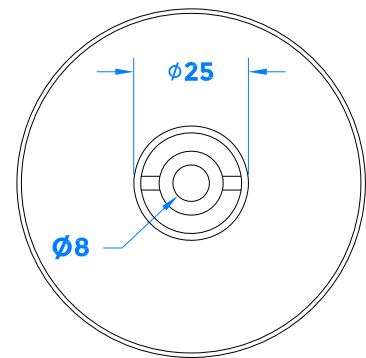
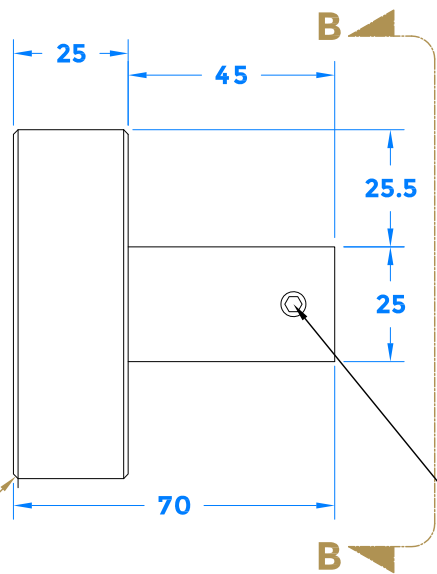


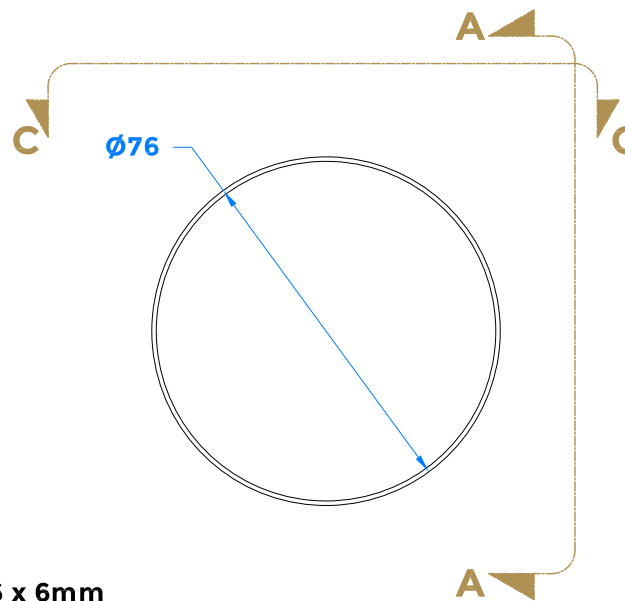
Drawing Revision History		
Revision	Description / Change	Date
A	Release	05/11/2021



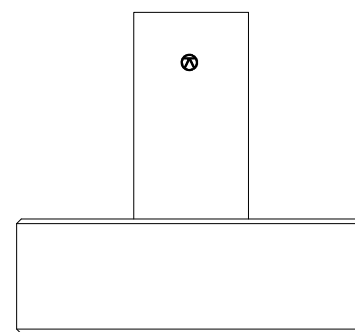
**Rear View**  
Section B-B



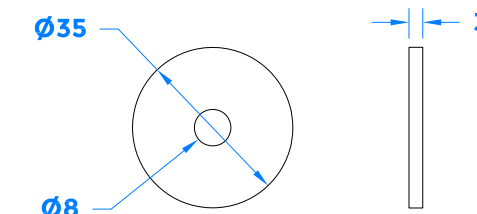
**Side View**  
Section A-A



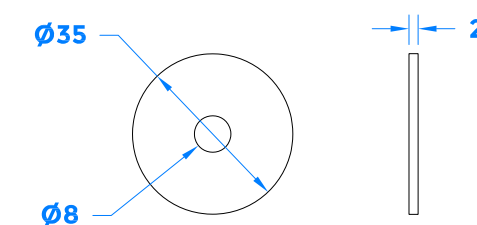
**Front View**



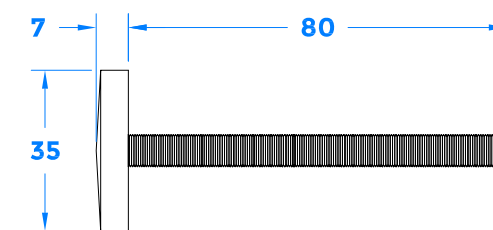
**Top View**  
Section C-C



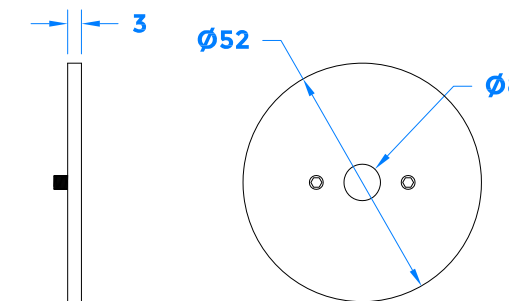
**1 x Metal Washers**



**2 x Clear Rubber Washer**



**M8 x 80 Fixing Bolt**



**External Mounting Plate**

**1.5mm Allen Key**  
**3mm Allen Key**

1 x 1 Chamfer to both edges.

M6 x 6mm  
Crub Screws  
(2 off)

Rubber Washer only  
required on Glass Doors

Suitable for doors up to 70mm thick

 <b>COASTAL</b>		coastal-group.com <i>Shaping the future.</i>
Part Number / Drawing Title:		
<b>KM150</b>		
<b>Round Door Knob</b>		
Product Range:		
<b>Door Furniture</b>		
Material: 316 Stainless Steel		
Additional Info:		
Date Drawn: 05/11/2021		
Drawn By: Philip Walklett		
Part Number: KM150		
File Name: KM150.dwg		
Revision: A		
Drawing Scale: Not to Scale		
Sheet Number: 1 of 2		
 THIRD ANGLE PROJECTION	This drawing and specification are the property of Coastal Specialist Ironmongery Ltd, they are issued in strict confidence and shall not be reproduced, copied or used without written permission. EAOE - All dimensions are specified in mm.	