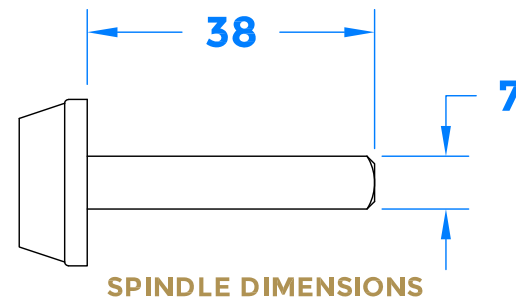
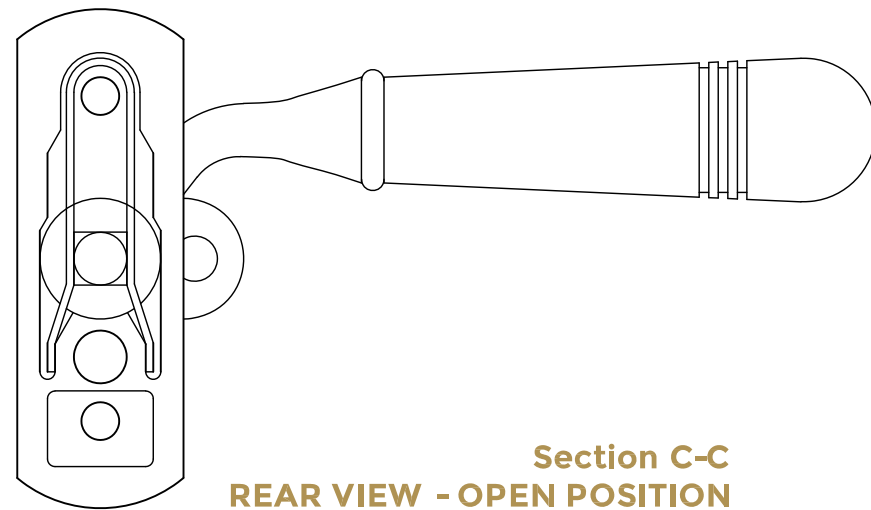
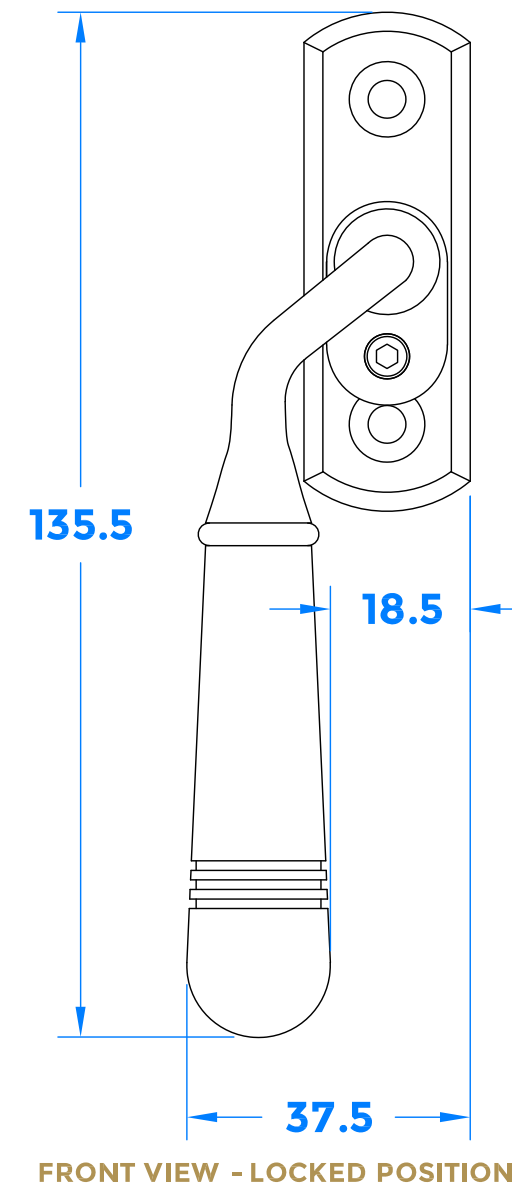
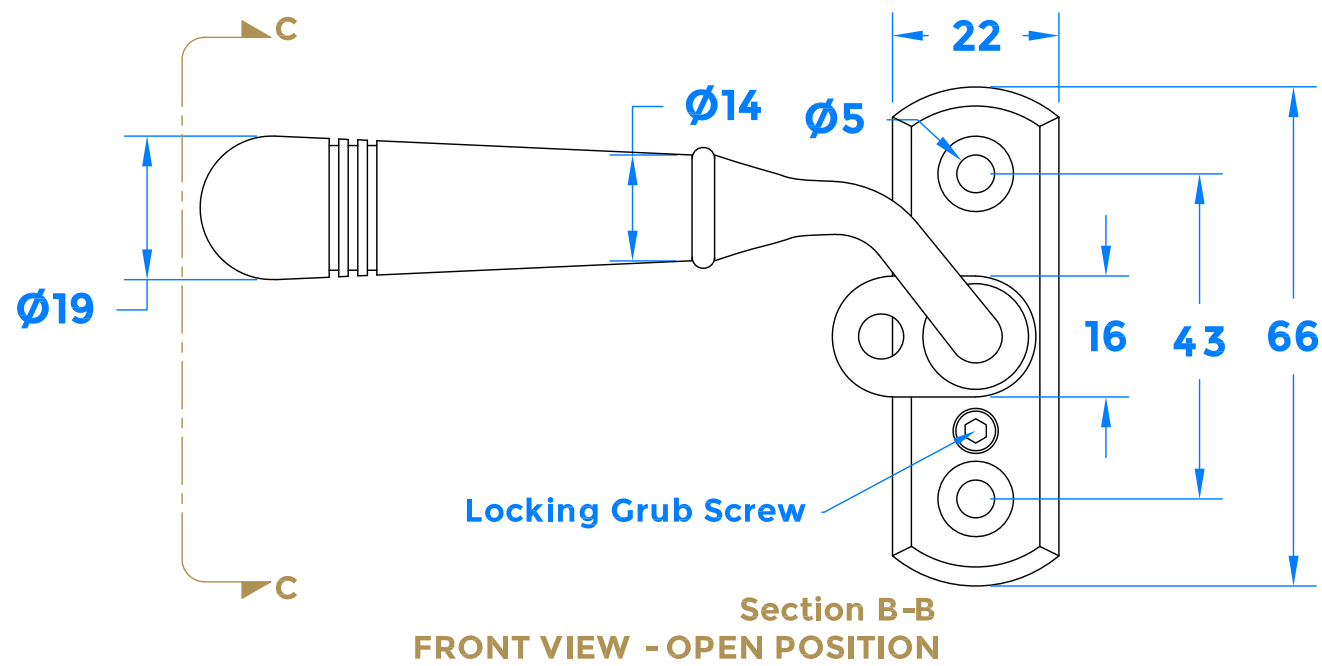
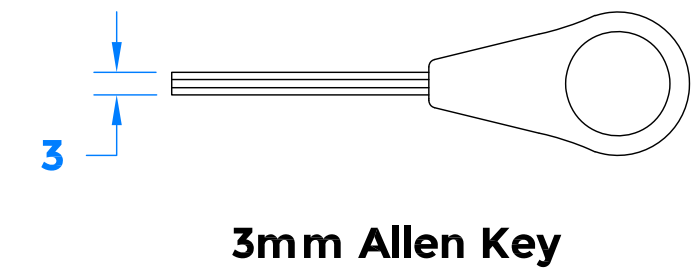
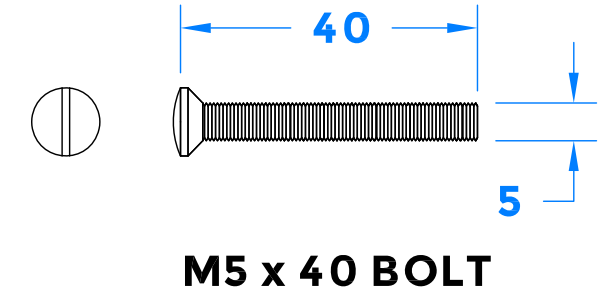
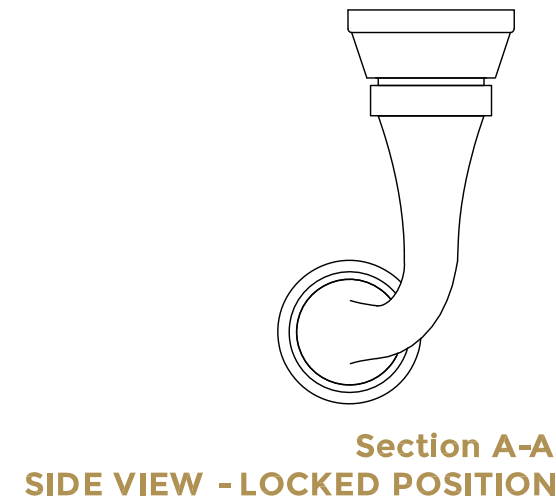
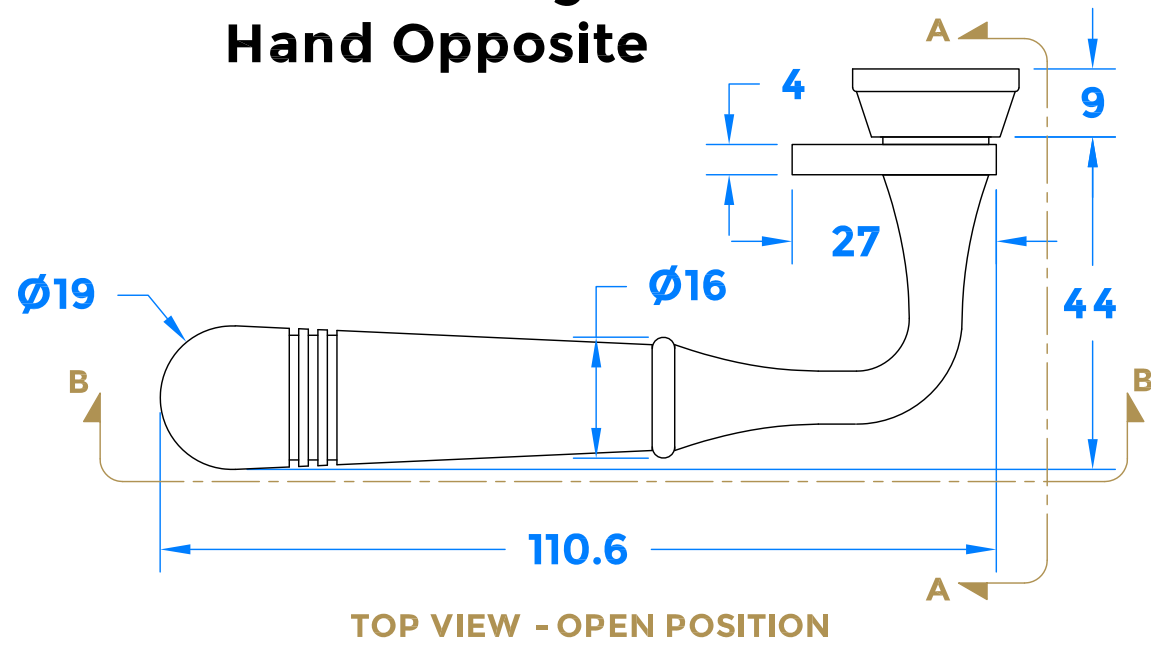


Left Hand Shown, Right Hand Opposite

Drawing Revision History		
Revision	Description /Change	Date
A	Release	11/11/2021
B	Updated Allen key size	25/7/2023



COASTAL coastal-group.com
Shaping the future.

Part Number /Drawing Title:
TBH020 - Opera Window Handle Sprung Lever

Product Range:
Window Handles

Material: 316 Stainless Steel

Additional Info: Left Hand Shown, Right Hand Opposite

Date Drawn: 25/07/2023

Drawn By: Philip Walklett

Part Number: TBH020-LH

File Name: TBH020-LH.dwg

Revision: B

Drawing Scale: 1:1@ A3

Sheet Number: 1 of 1

THIRD ANGLE PROJECTION

This drawing and specification are the property of Coastal Specialist Ironmongery Ltd, they are issued in strict confidence and shall not be reproduced, copied or used without written permission.
EAOE - All dimensions are specified in mm.