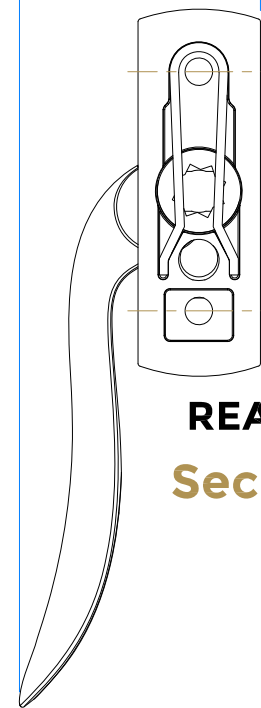


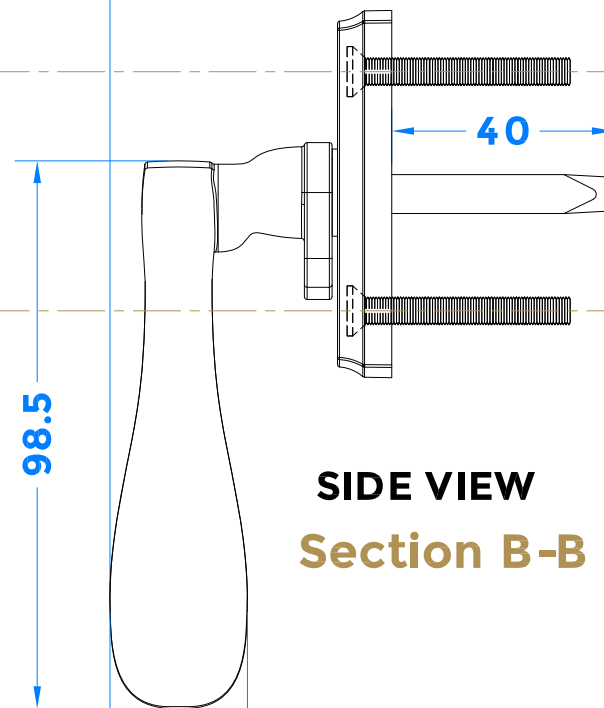
REVISION HISTORY		
Revision	Description	Date
A	Release	01/10/2021

43.3



REAR VIEW
Section C-C

50.7

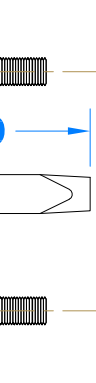


SIDE VIEW
Section B-B

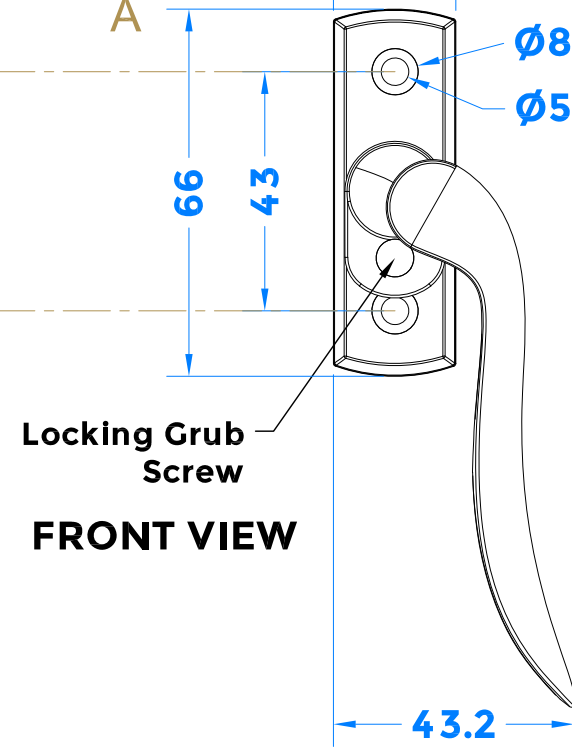
98.5

24.7

40



22



FRONT VIEW

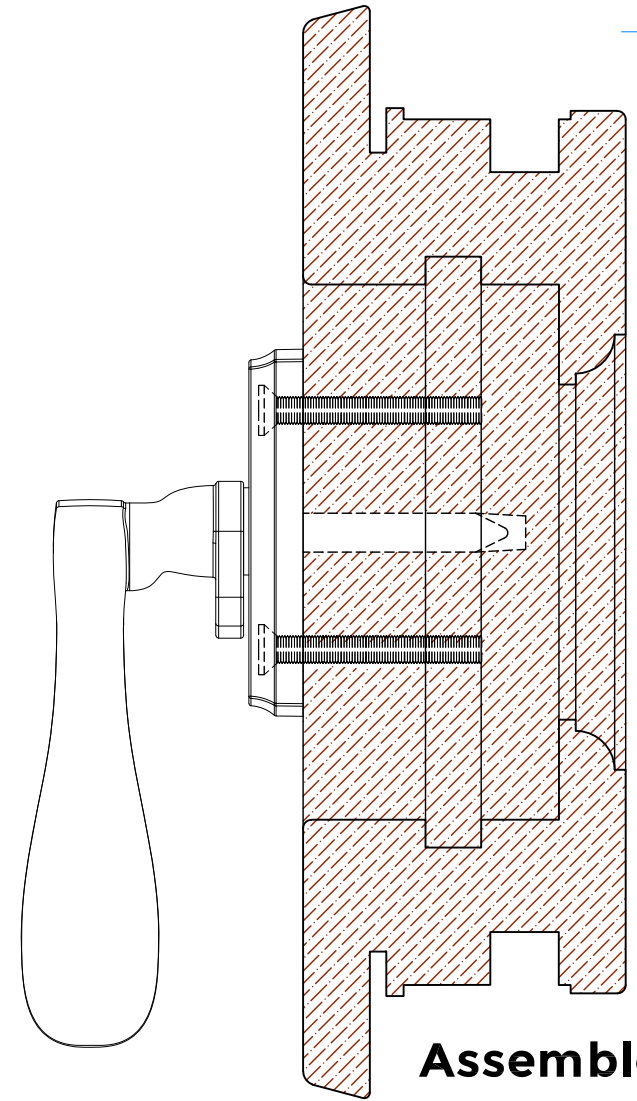
Ø8.3 CSK
Ø5

66

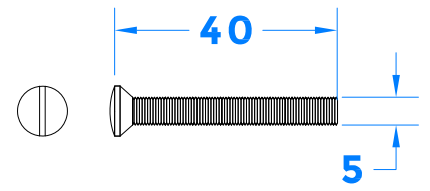
43

43.2

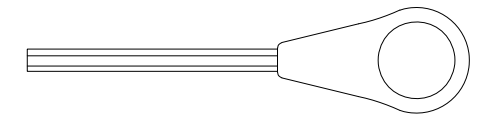
Locking Grub Screw



Assembled View



M5 x 40 SLOT HEAD MACHINE SCREW



4mm Allen Key CX-480



Part Number / Drawing Title:	
REG020C	
Regent Espag Window Handle	
Product Range:	
Window Espagnolette Handles	
Material: 316 Grade Stainless Steel	
Additional Info: Righ Hand Shown, Left Hand Opposite	
Date Drawn:	01/10/2021
Drawn By:	Philip Walklett
Part Number:	REG020B-RH
File Name:	REG020C-RH.dwg
Revision:	A
Drawing Scale:	Not to Scale
Sheet Number:	1 of 1

THIRD ANGLE PROJECTION

This drawing and specification are the property of Coastal Specialist Ironmongery Ltd. they are issued in strict confidence and shall not be reproduced, copied or used without written permission.
E&OE - All dimensions are specified in mm.