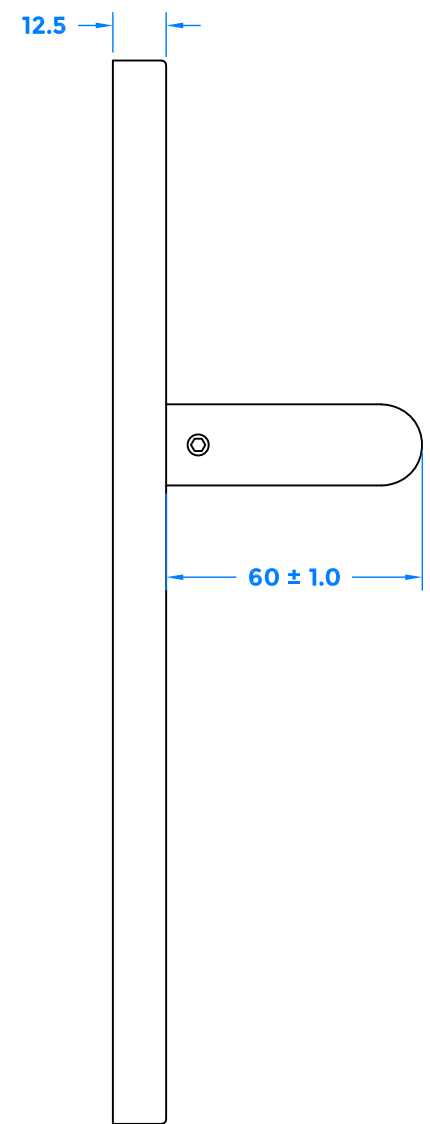
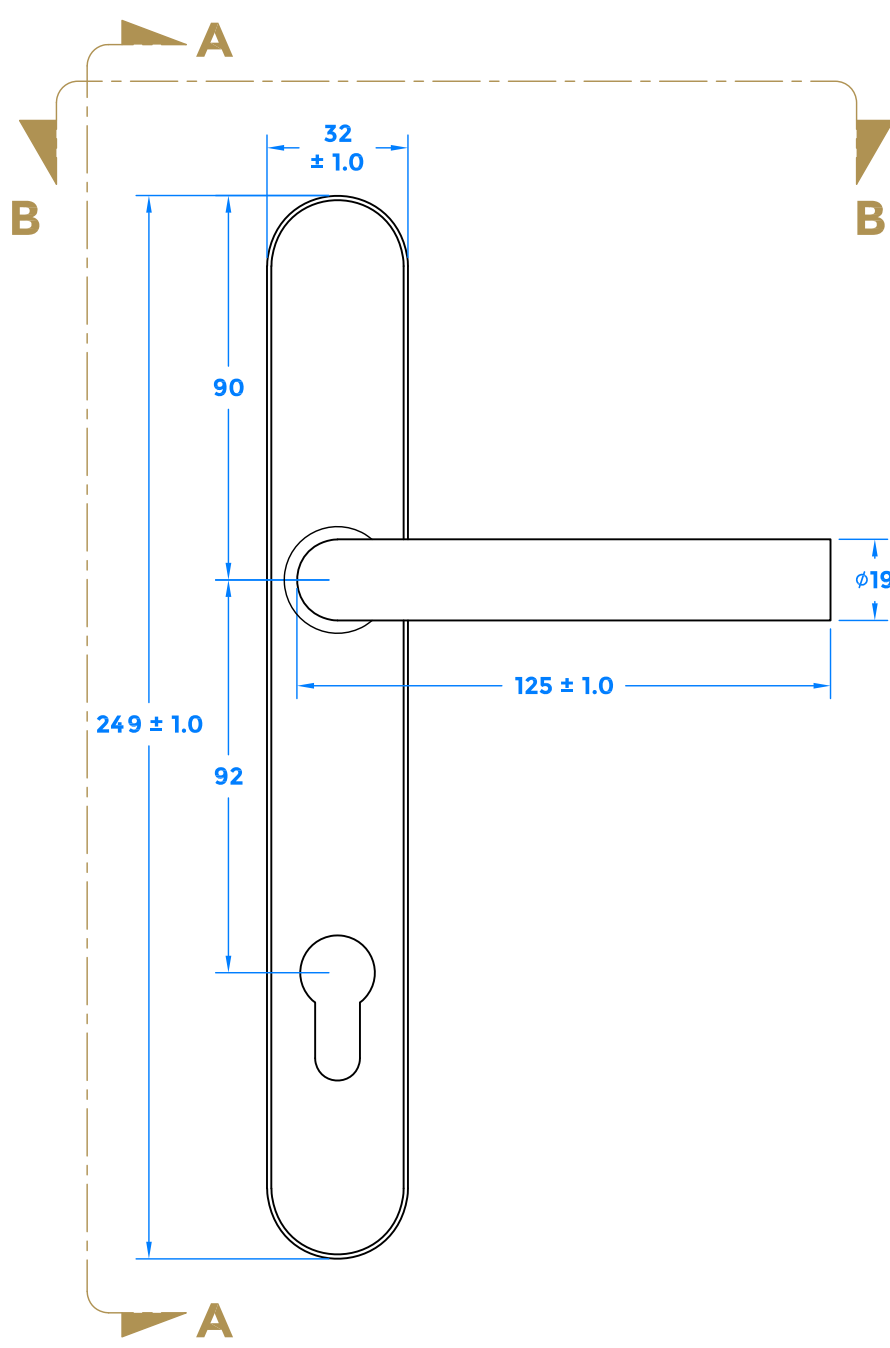
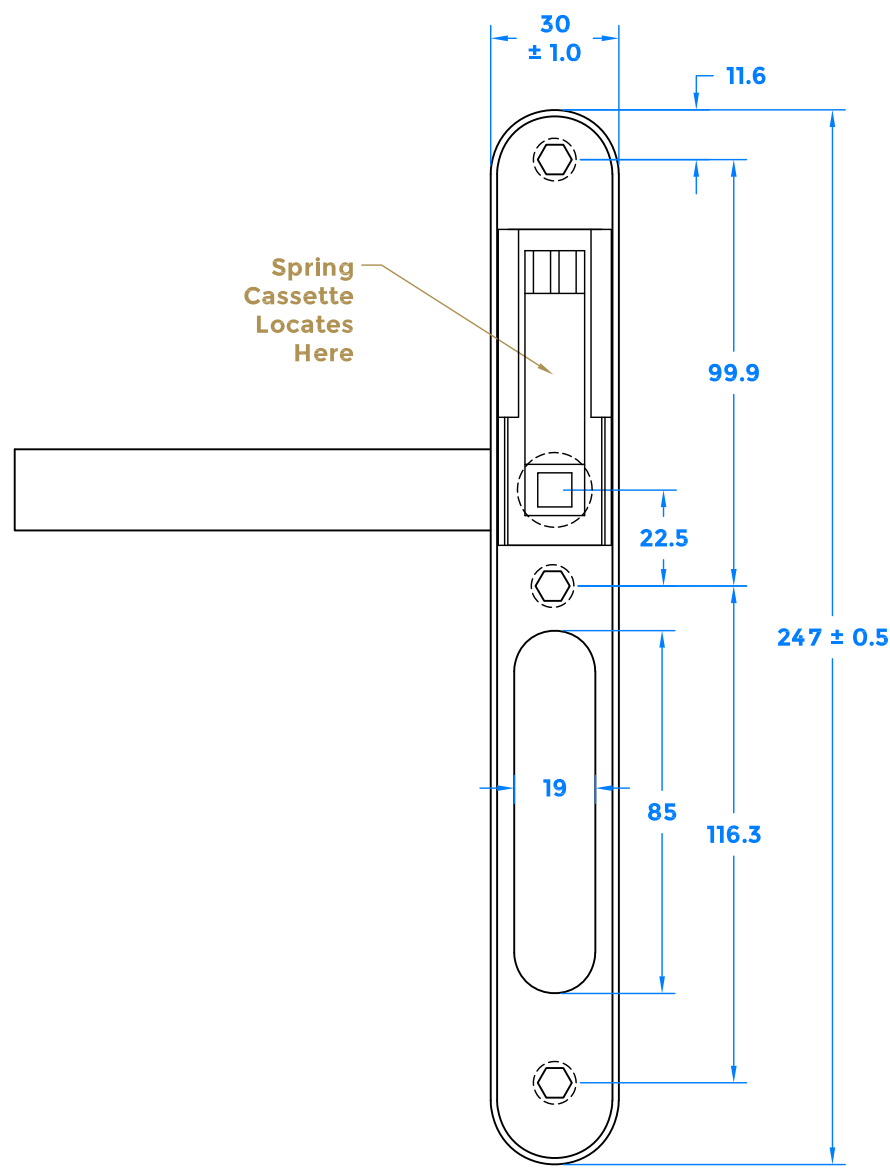


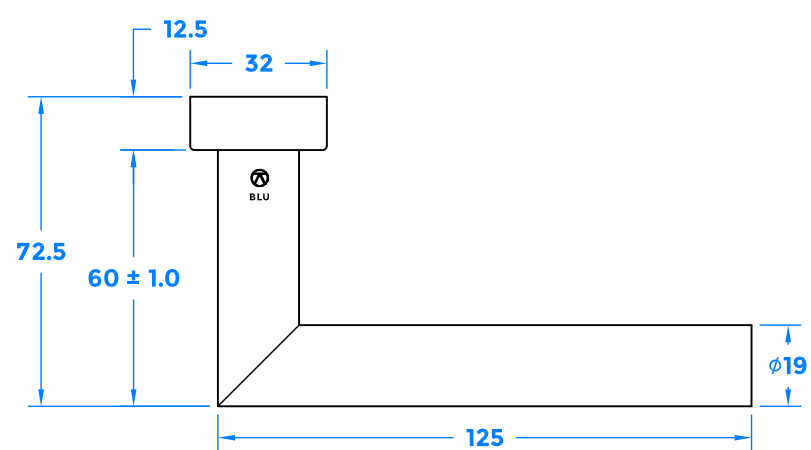
Drawing Revision History		
Revision	Description /Change	Date
A	Release	11/11/2021

Rear View without Clip on Face Plate Fitted.

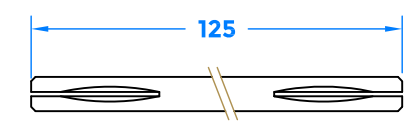
Front View with Clip on Face Plate Fitted.



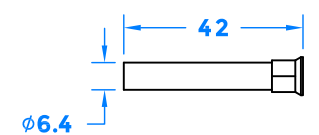
Section A-A



Section B-B



8x8x125 Spindle



Bolt Receiver Sleeve



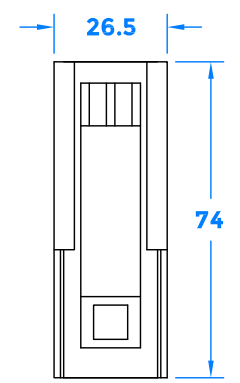
M5 x 40mm Bolts  
Suits Doors up to 60mm Thick



M5 x 60mm Bolts  
Suits Doors up to 80mm Thick



3mm Allen Key



Spring Cassette

coastal-group.com  
*Shaping the future.*

**COASTAL**

Part Number /Drawing Title:  
**KM078B  
Mitre Lever Door Handle**

Product Range:  
**Door Handles**

Material: 316 Stainless Steel

Additional Info: Dual Sprung Lever Action

Date Drawn: 11/11/2021

Drawn By: Phillip Walklett

Part Number: KM078B

File Name: KM078B.dwg

Revision: A

Drawing Scale: Not to Scale

Sheet Number: 1 of 1

THIRD ANGLE PROJECTION

This drawing and specification are the property of Coastal Specialist Ironmongery Ltd, they are issued in strict confidence and shall not be reproduced, copied or used without written permission.  
EAOE - All dimensions are specified in mm.