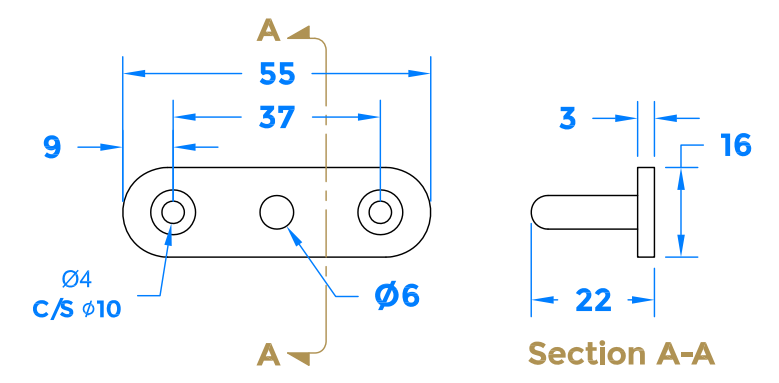
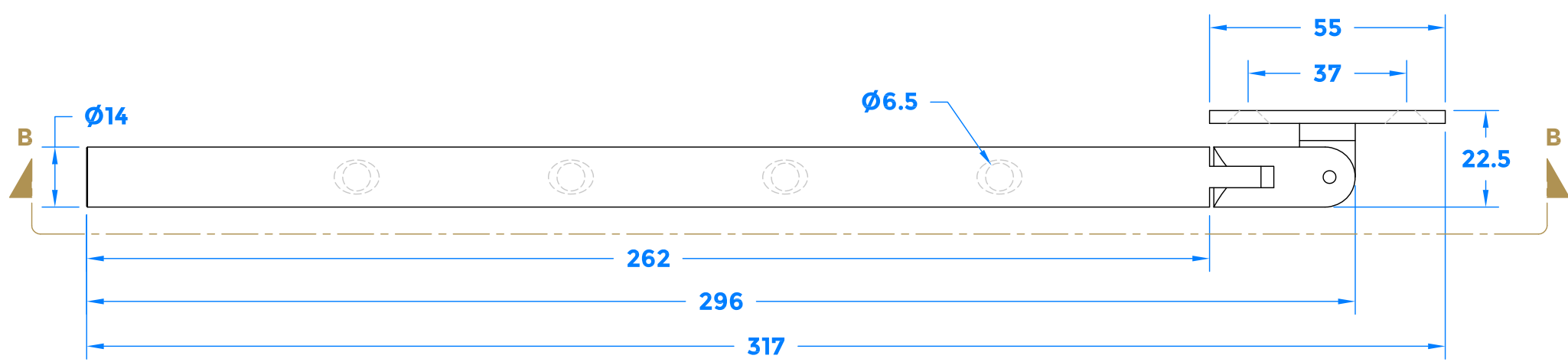
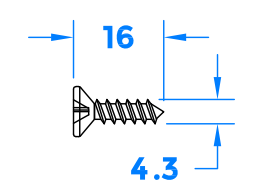
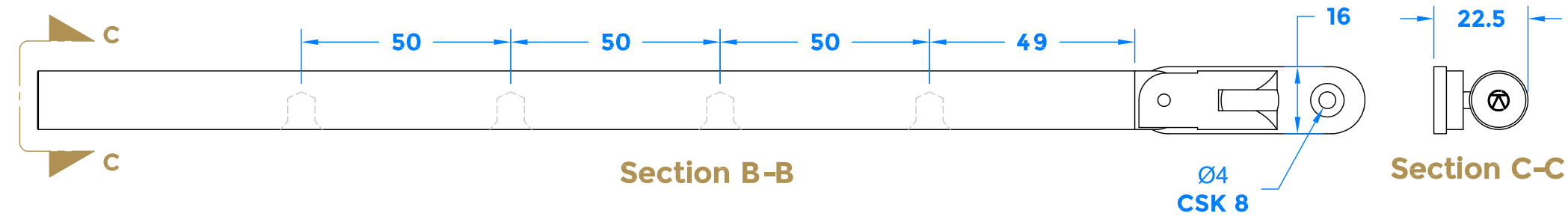


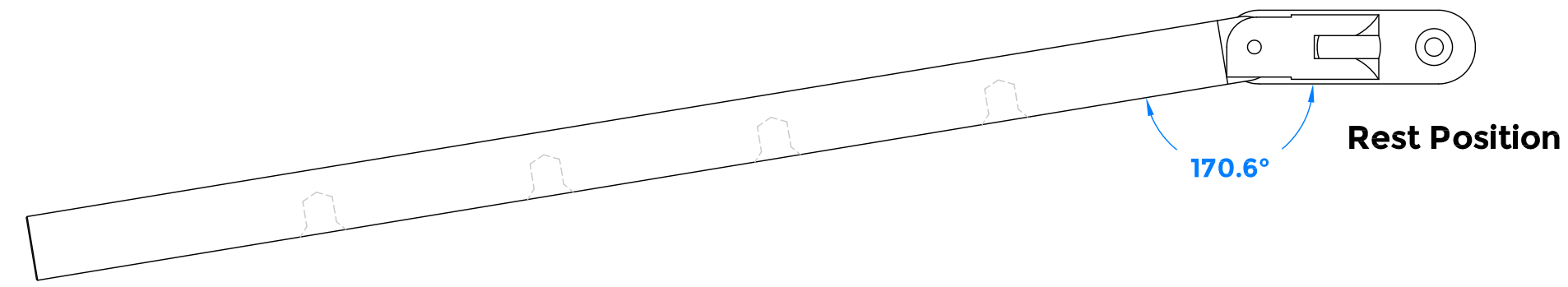
Drawing Revision History		
Revision	Description / Change	Date
A	Release	12/11/2021
B	Screw Lengths Revised	27/6/2023



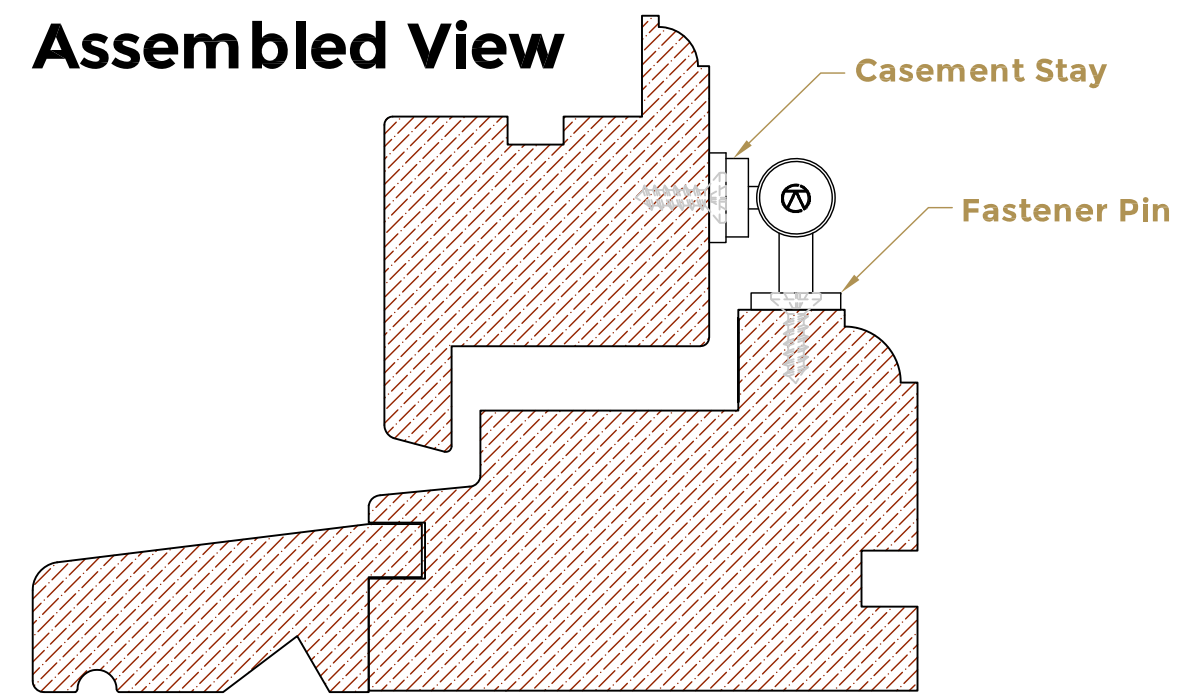
Casement Stay Fasteners



Wood Screws



Assembled View




coastal-group.com
Shaping the future.
COASTAL

Part Number / Drawing Title:
SST91
BLU Casement Window Stay

Product Range:
Casement Stays & Fasteners

Material: 316 Stainless Steel

Additional Info:
 Date Drawn: 27/06/2023
 Drawn By: Phillip Walklett

Part Number: SST91
 File Name: SST91.dwg

Revision: B
 Drawing Scale: Not to Scale
 Sheet Number: 1 of 1

THIRD ANGLE PROJECTION

This drawing and specification are the property of Coastal Specialist Ironmongery Ltd, they are issued in strict confidence and shall not be reproduced, copied or used without written permission. EAOE - All dimensions are specified in mm.