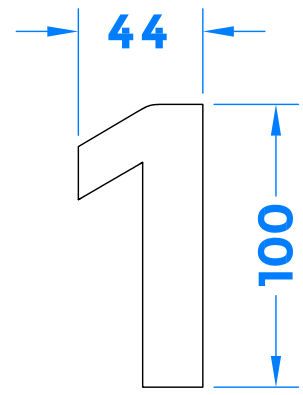
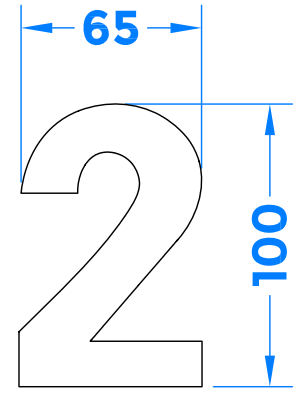


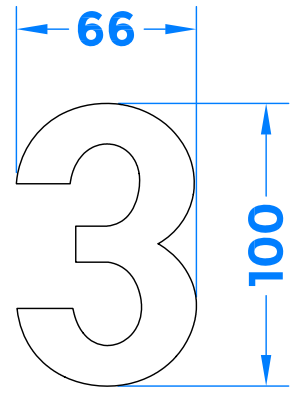
Drawing Revision History		
Revision	Description /Change	Date
A	Release	15/11/2021
B	Updated part numbers, removed 316	1/12/2022



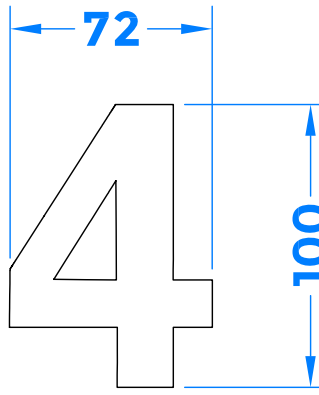
BLN1-SSS



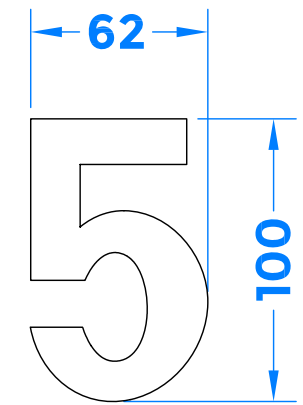
BLN2-SSS



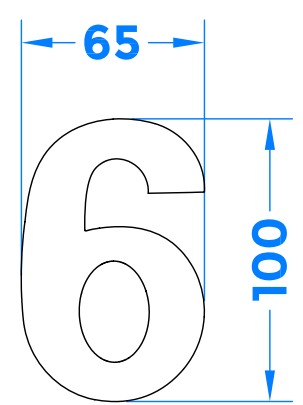
BLN3-SSS



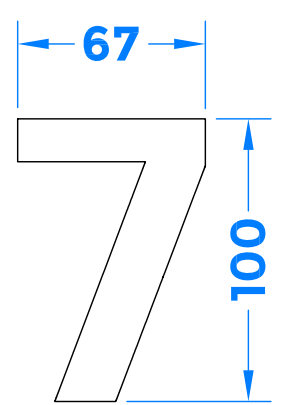
BLN4-SSS



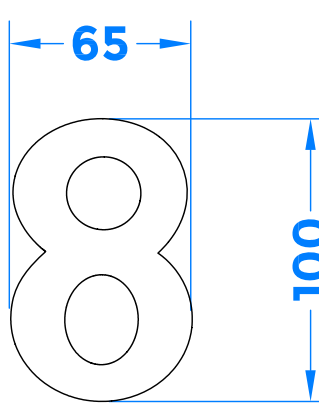
BLN5-SSS



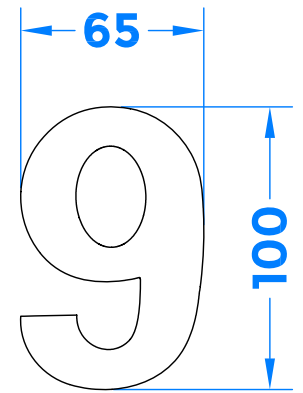
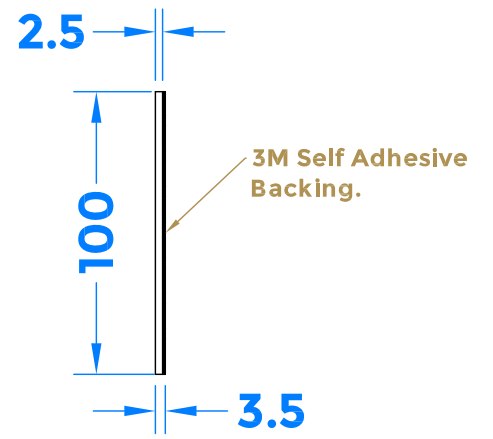
BLN6-SSS



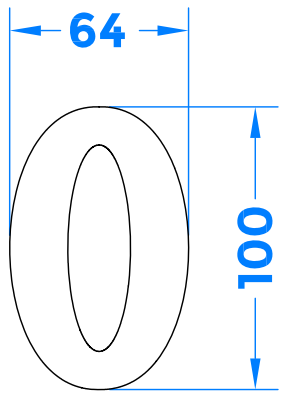
BLN7-SSS



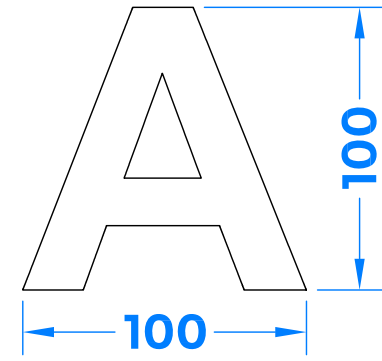
BLN8-SSS



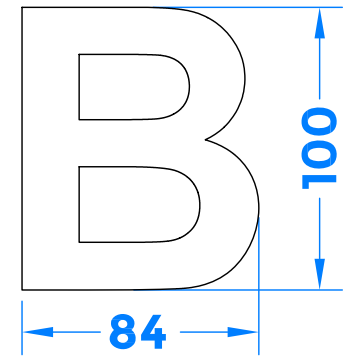
BLN9-SSS



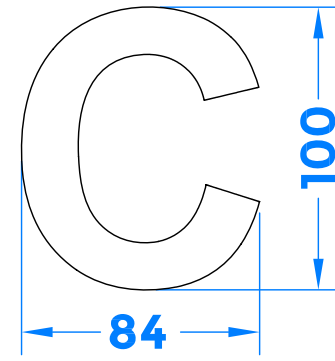
BLN0-SSS



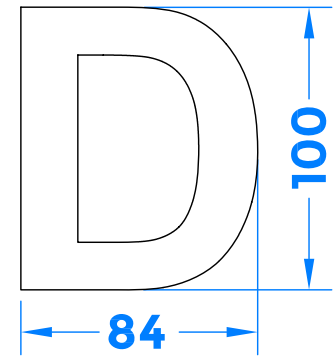
BLNA-SSS



BLNB-SSS



BLNC-SSS



BLND-SSS

coastal-group.com
Shaping the future.

COASTAL

Part Number /Drawing Title:
**BLN - Self Adhesive
Stainless Steel Numerals**

Product Range:
Door Furniture

Material: 316 Stainless Steel

Additional Info: Self Adhesive Backing

Date Drawn: 01/12/2022

Drawn By: Phillip Walklett

Part Number: BLN

File Name: BLN.dwg

Revision: B

Drawing Scale: Not to Scale

Sheet Number: 1 of 1

THIRD ANGLE PROJECTION

This drawing and specification are the property of Coastal Specialist Ironmongery Ltd, they are issued in strict confidence and shall not be reproduced, copied or used without written permission.
EAOE - All dimensions are specified in mm.

1 2 3 4 5 6 7 8

A

A

B

B

C

C

D

D

E

E

F

F

1 2 3 4 5 6 7 8 Din A3 - Landscape