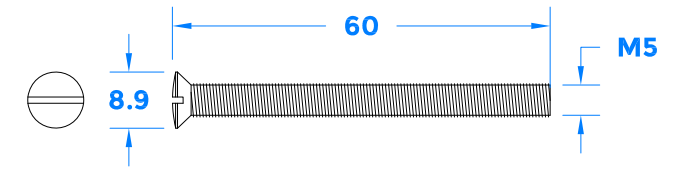
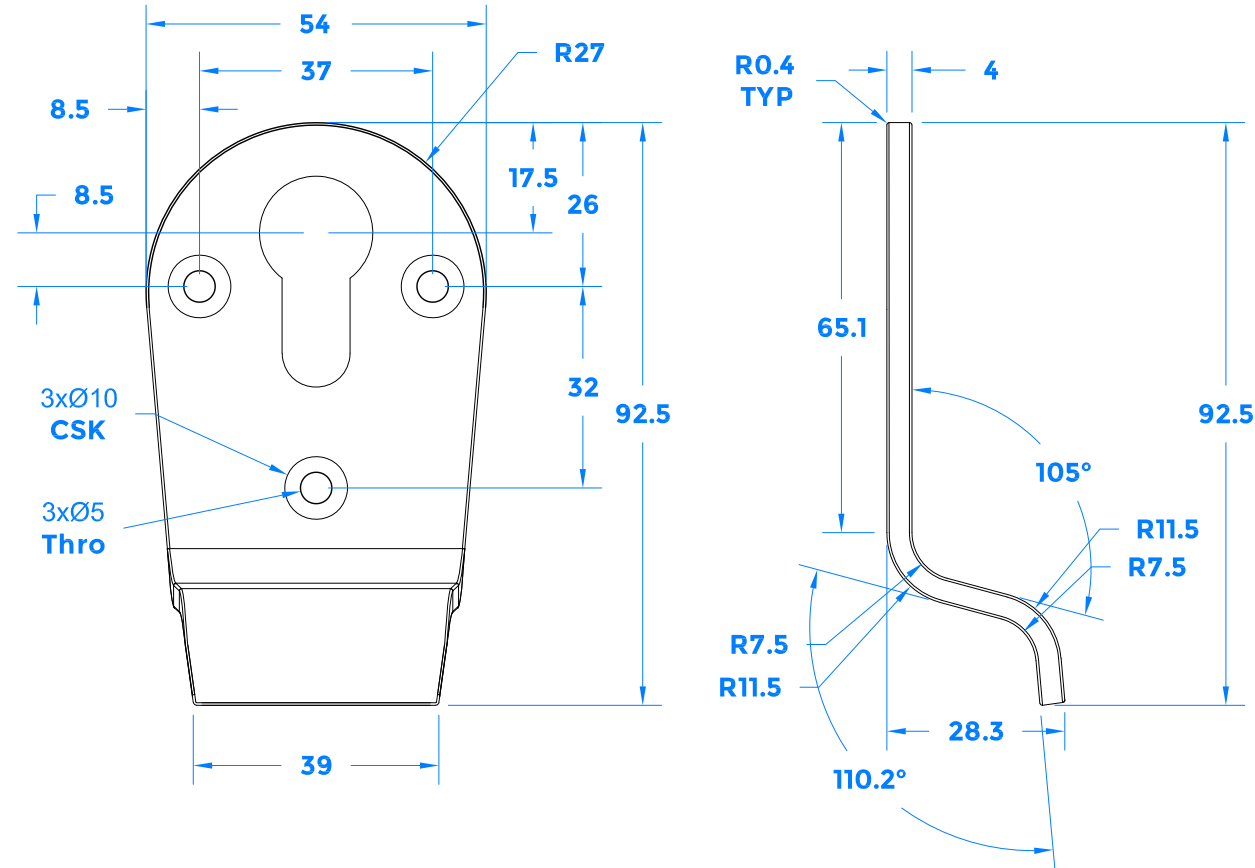
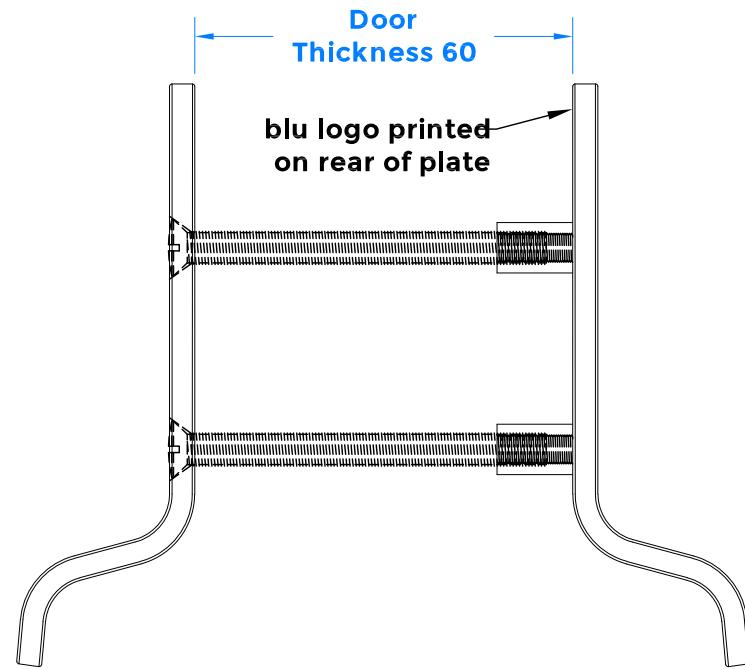


Drawing Revision History		
Revision	Description / Change	Date
A	Release	04 /11/2021

Internal Cylinder Pull

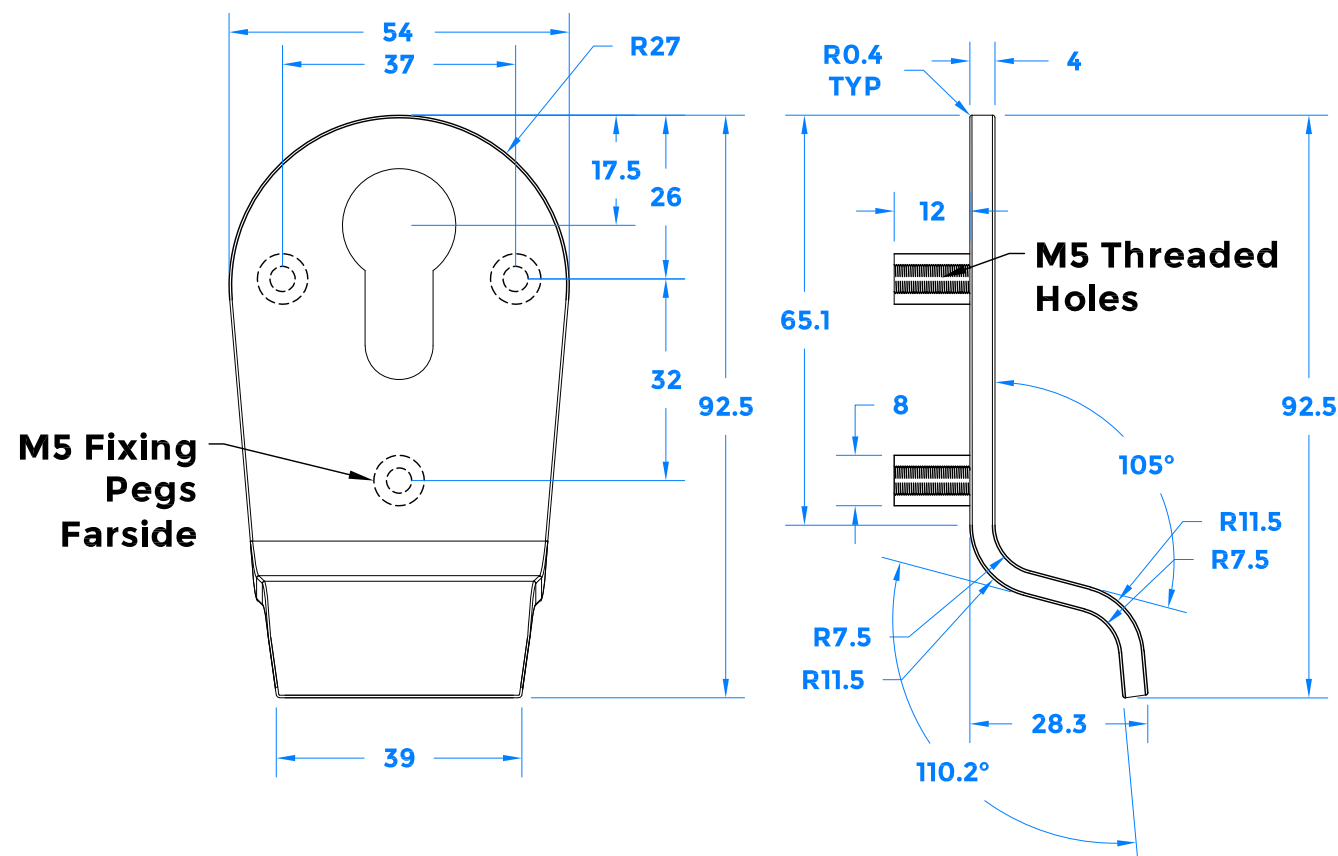


M5 x 60 CSK Slotted Dome Machine Screws



Assembled View

External Cylinder Pull



coastal-group.com
Shaping the future.

COASTAL

Part Number / Drawing Title:
CP30
Euro Profile Cylinder Pull Set

Product Range:
Door Furniture

Material: 316 Stainless Steel

Additional Info:

Date Drawn: 04/11/2021
Drawn By: Philip Wolklett

Part Number: CP30-316-SSS
File Name: CP30.dwg

Revision: A

Drawing Scale: Not to Scale
Sheet Number: 1 of 1

THIRD ANGLE PROJECTION

This drawing and specification are the property of Coastal Specialist Ironmongery Ltd, they are issued in strict confidence and shall not be reproduced, copied or used without written permission.
EAOE - All dimensions are specified in mm.