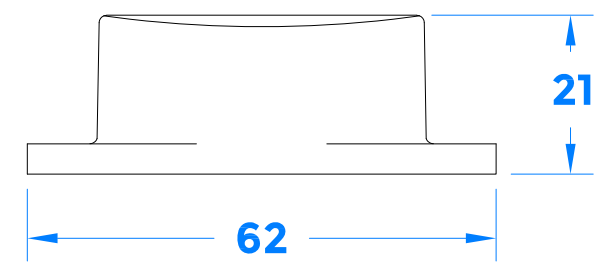
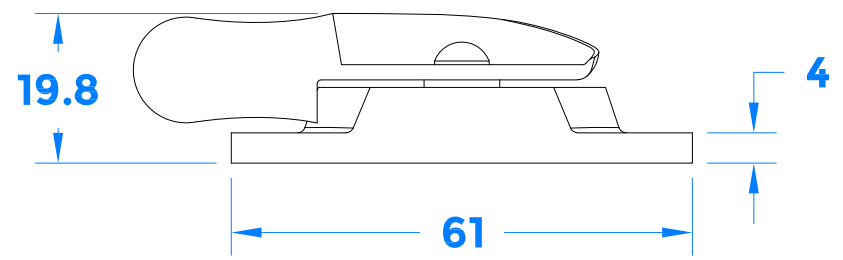
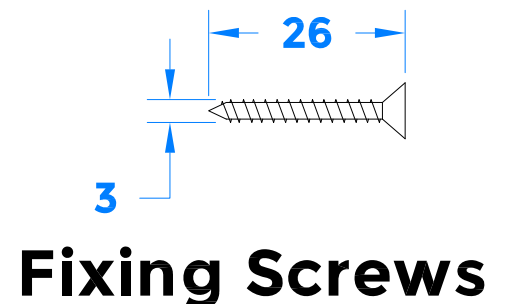
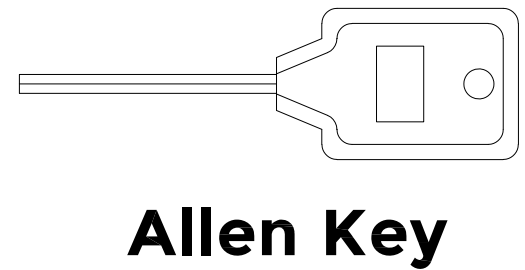
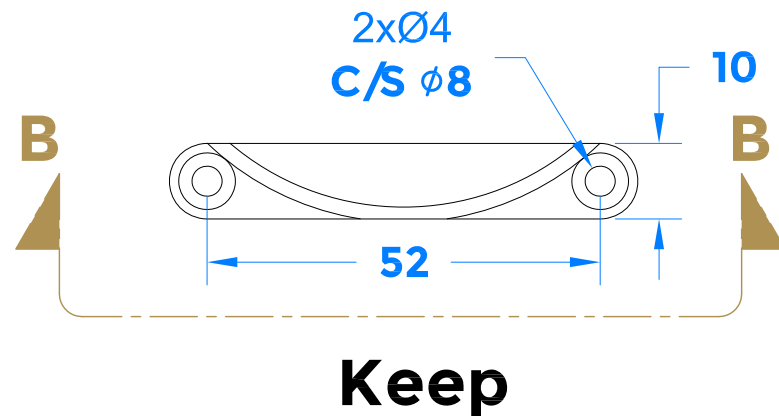
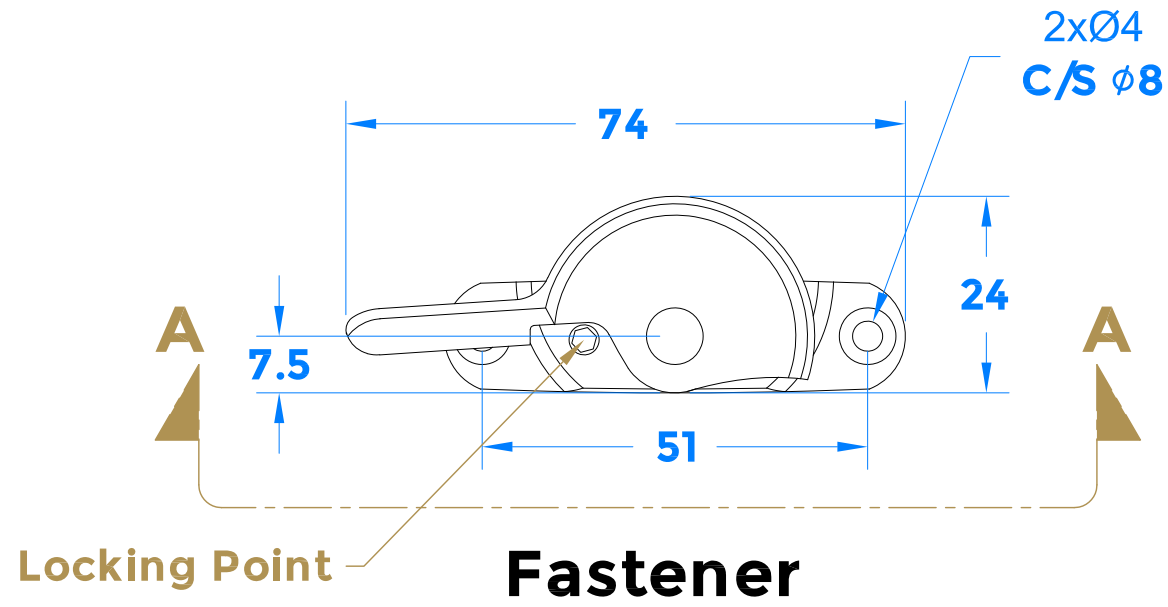


Drawing Revision History		
Revision	Description/Change	Date
A	Release	15/11/2021



coastal-group.com
Shaping the future.

COASTAL

Part Number / Drawing Title:
GL60LB
Fitch Type Sash Fastener

Product Range:
Sliding Sash Hardware

Material: Brass

Additional Info:

Date Drawn: 15/11/2021

Drawn By: Philip Walklett

Part Number: GL60LB

File Name: GL60LB.dwg

Revision: A

Drawing Scale: 1:1@ A3

Sheet Number: 1 of 1

THIRD ANGLE PROJECTION

This drawing and specification are the property of Coastal Specialist Ironmongery Ltd, they are issued in strict confidence and shall not be reproduced, copied or used without written permission.
E&OE - All dimensions are specified in mm.