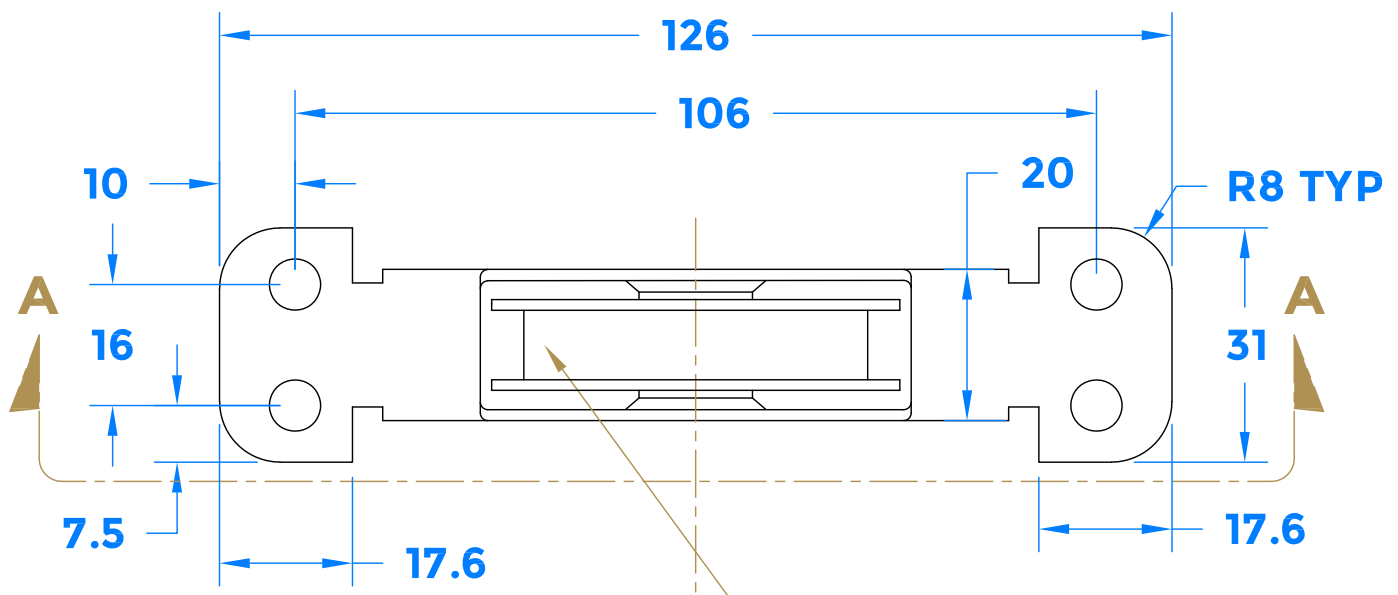
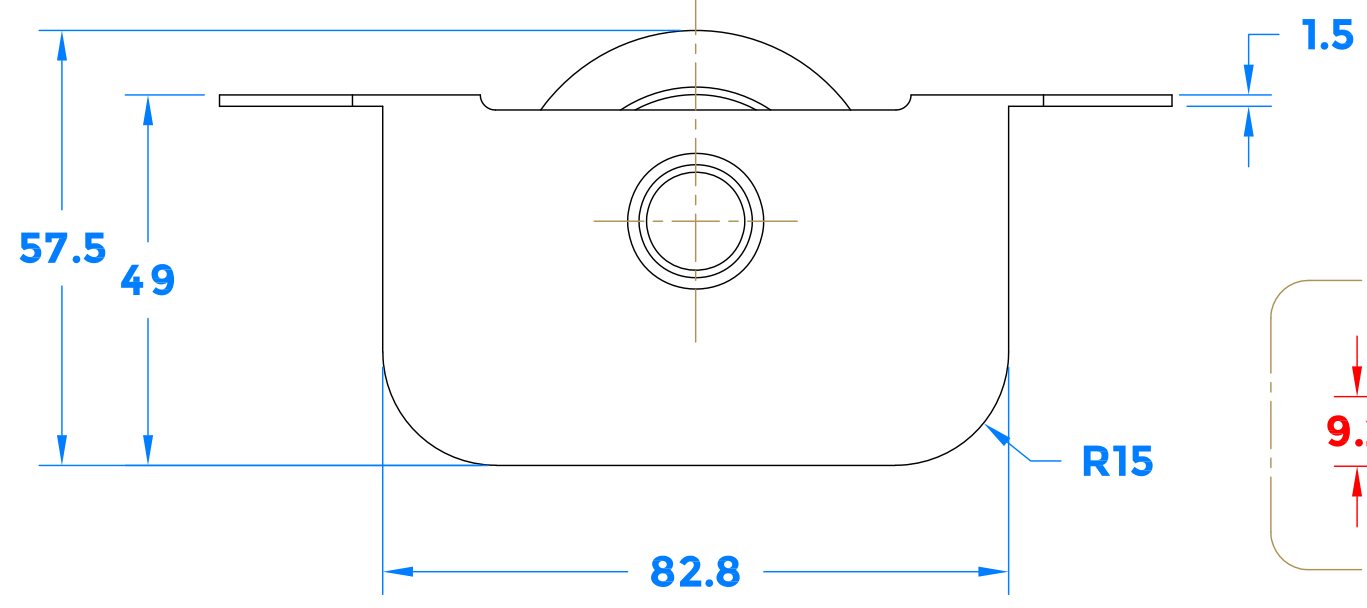
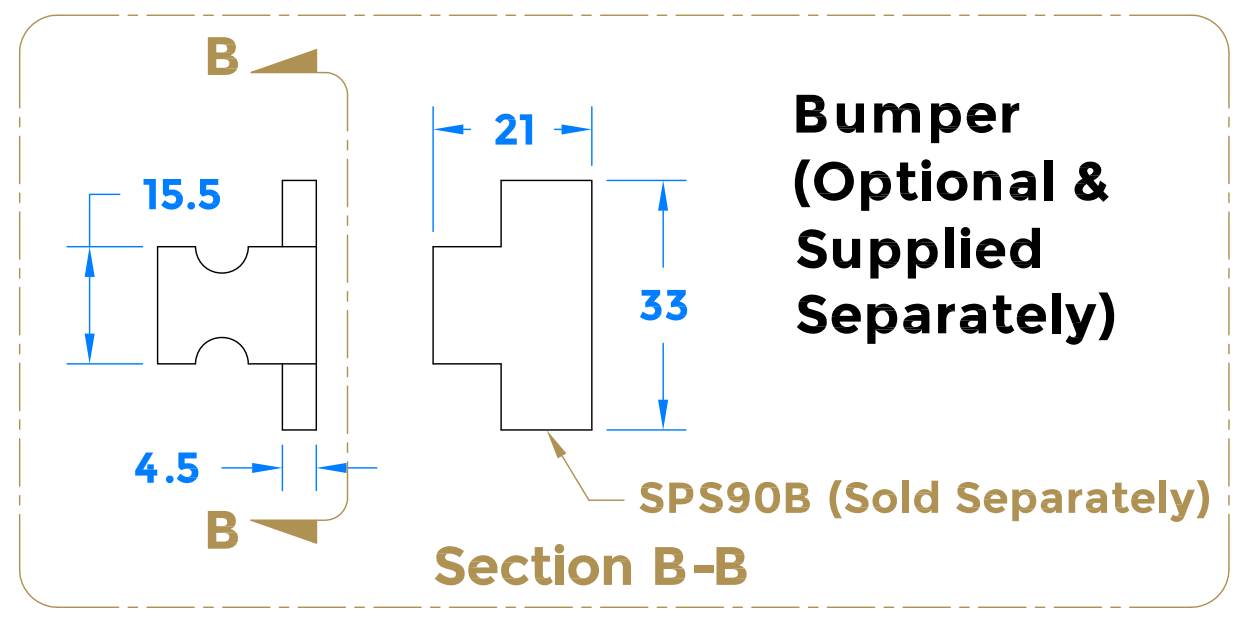


Drawing Revision History		
Revision	Description/Change	Date
A	Release	15/11/2021
B	Altered groove width in pulley wheel	14/11/2022
C	Updated Dimensions	16/12/2022



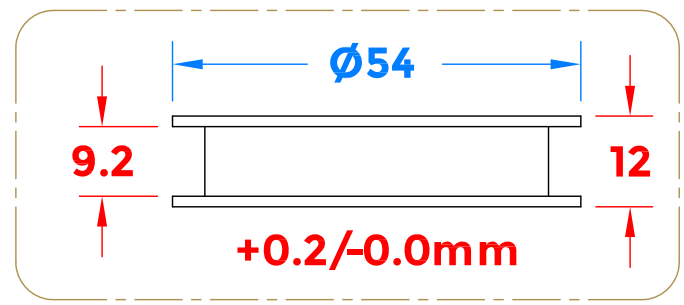
Square wheel designed for sash chain.



Section A-A


Bumper SPS90B (Optional & Supplied Separately)

Bumper Assembly



SPS90P Pulley Cover Plate (Supplied Separately)

NOTE: The bumper is designed to stop the sash from hitting the head, it acts as a stop bumper, this is an optional component and is sold separately. This fits behind the top fixing points as shown above.



coastal-group.com
Shaping the future.

COASTAL

Part Number / Drawing Title:
SPS90-SW
2" Heavy Duty Sash Pulley

Product Range:
Sliding Sash Hardware

Material: N/A

Additional Info: Square Wheel for Chains

Date Drawn: 16/12/2022

Drawn By: Phillip Walklett

Part Number: SPS90-SW

File Name: SPS90-SW.dwg

Revision: C

Drawing Scale: 1:1@A3

Sheet Number: 1 of 1

THIRD ANGLE PROJECTION

This drawing and specification are the property of Coastal Specialist Ironmongery Ltd, they are issued in strict confidence and shall not be reproduced, copied or used without written permission.
EAOE - All dimensions are specified in mm.