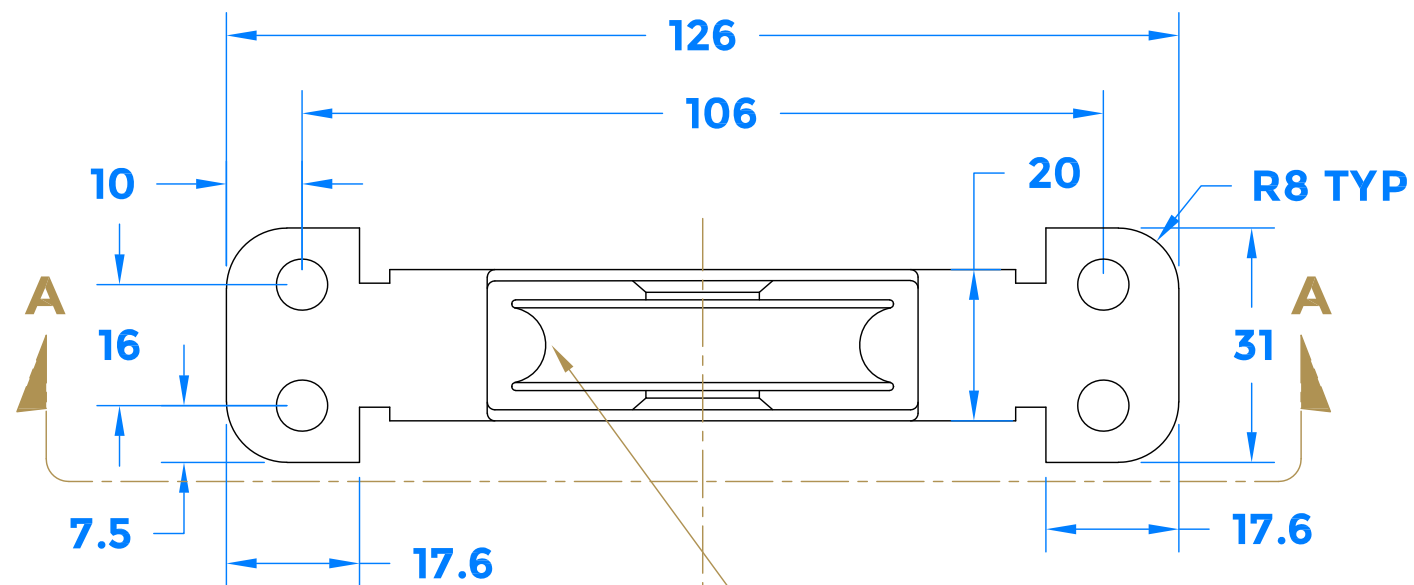
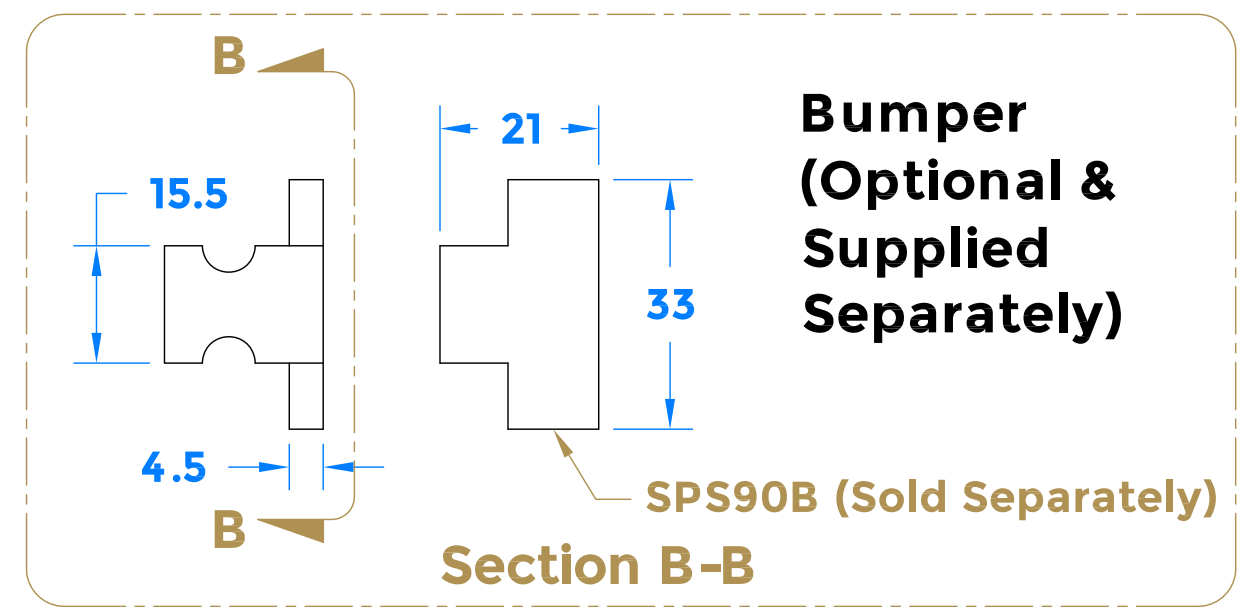


Drawing Revision History		
Revision	Description/Change	Date
A	Release	15/11/2021
B	Updated Dimensions	16/12/2022



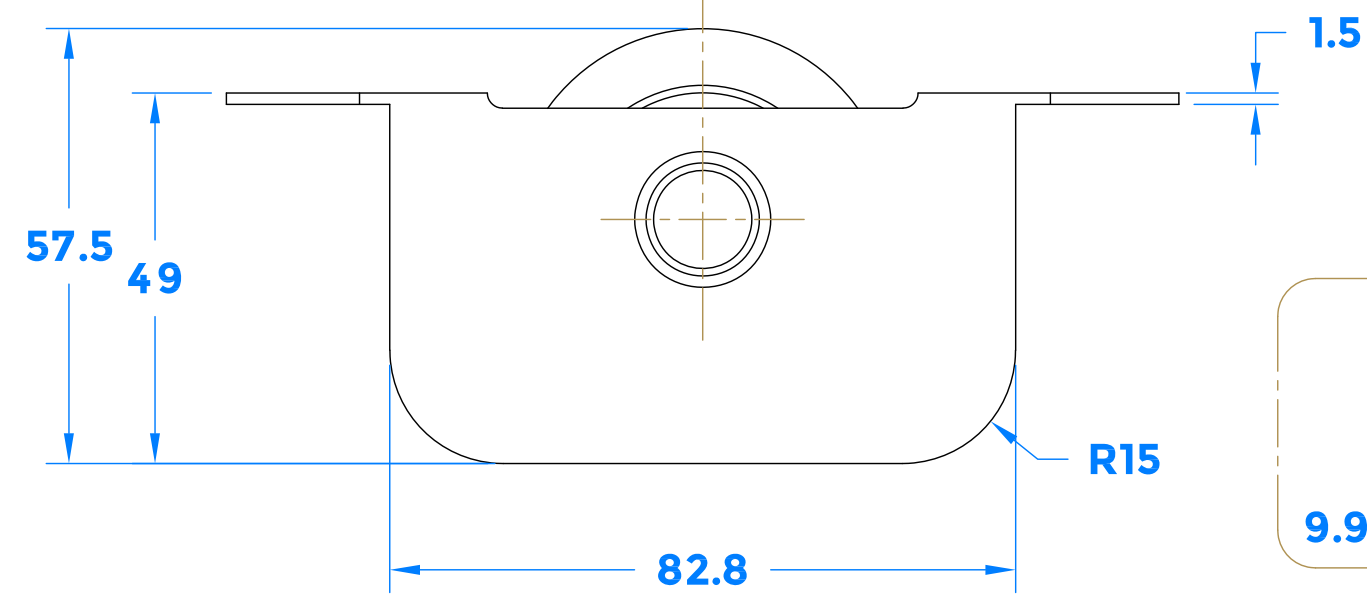
Round wheel designed for sash cord.



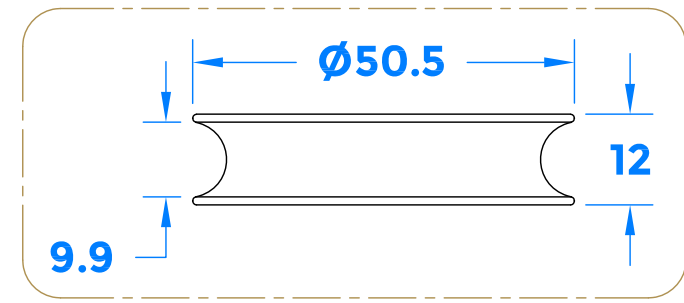
**Bumper  
(Optional &  
Supplied  
Separately)**

SPS90B (Sold Separately)

Section B-B



Section A-A

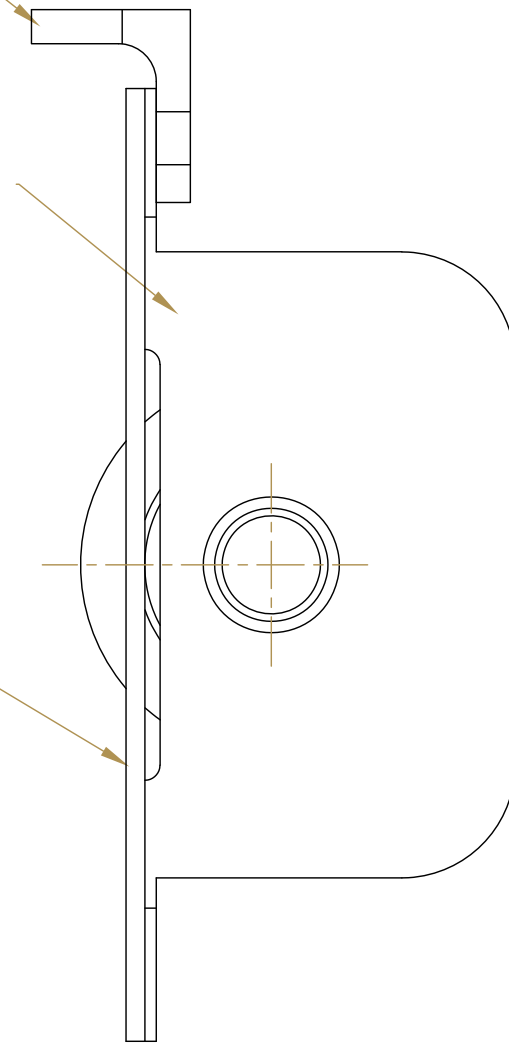


Bumper SPS90B  
(Optional &  
Supplied Separately)


**Bumper Assembly**

SPS90-RW

SPS90P  
Pulley Cover Plate  
(Supplied  
Separately)



**NOTE: The bumper is designed to stop the sash from hitting the head, it acts as a stop bumper, this is an optional component and is sold separately. This fits behind the top fixing points as shown above.**

 <b>COASTAL</b>		coastal-group.com <i>Shaping the future.</i>
Part Number / Drawing Title: <b>SPS90-RW</b> <b>2" Heavy Duty Sash Pulley</b>		
Product Range: <b>Sliding Sash Hardware</b>		
Material: N/A		
Additional Info: Round Wheel for Sash Cord		
Date Drawn: 16/12/2022		
Drawn By: Philip Walklett		
Part Number: SPS90-RW		
File Name: SPS90-RW.dwg		
Revision: B		
Drawing Scale: 1:1@ A3		
Sheet Number: 1 of 1		
THIRD ANGLE PROJECTION		This drawing and specification are the property of Coastal Specialist Ironmongery Ltd, they are issued in strict confidence and shall not be reproduced, copied or used without written permission. EAOE - All dimensions are specified in mm.